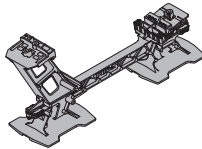




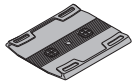
MSP-FR-SS 15  
MSP-FR-SS 10



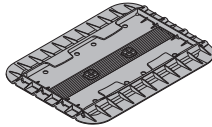
MSP-FR-SM 15  
MSP-FR-SM 10



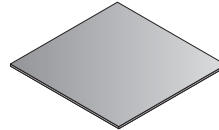
MSP-FR-SN 15  
MSP-FR-SN 10



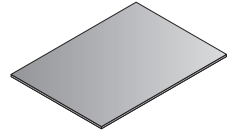
MSP-FR-LDP 230



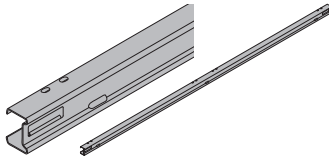
MSP-FR-LDP 380



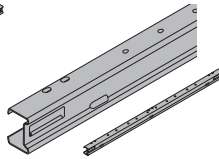
MSP-FR-AP 230



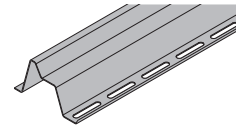
MSP-FR-AP 380



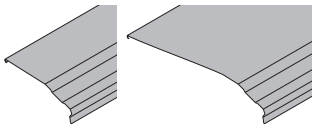
MSP-FR-CEW-1945-2005  
MSP-FR-CEW-1620-1680  
MSP-FR-CEW-1550-1610  
MSP-FR-CEW-1450-1510



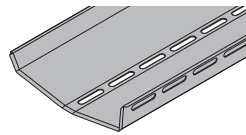
MSP-FR-CNS-1040-1095  
MSP-FR-CNS-950-1010  
MSP-FR-CNS-790-840



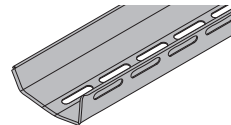
MSP-FR-BR-1685-2005  
MSP-FR-BR



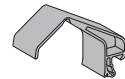
MSP-FR-CTC 80  
MSP-FR-CTC 160



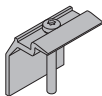
MSP-FR-CT 160



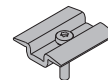
MSP-FR-CT 80



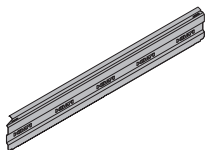
MSP-FR-CH



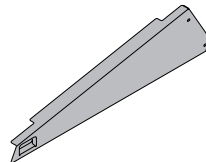
MSP-FR-EC 50, MSP-FR-EC 48, MSP-FR-EC 46  
MSP-FR-EC 45, MSP-FR-EC 42, MSP-FR-EC 40  
MSP-FR-EC 38, MSP-FR-EC 36, MSP-FR-EC 35  
MSP-FR-EC 33



MSP-FR-MC 46-50  
MSP-FR-MC 41-45  
MSP-FR-MC 35-40  
MSP-FR-MC 30-34



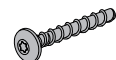
MSP-FR-WDN 1945-2005  
MSP-FR-WDN 1620-1680  
MSP-FR-WDN 1550-1610  
MSP-FR-WDN 1450-1510



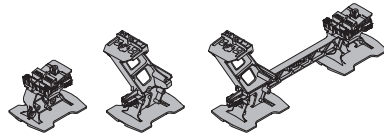
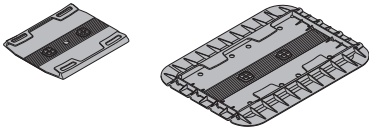
MSP-FR-WDE 15 1000,  
MSP-FR-WDE 15 800  
MSP-FR-WDE 10 1000,  
MSP-FR-WDE 10 800



MSP-FR-S M6x16



MSP-FR-GS 6x60

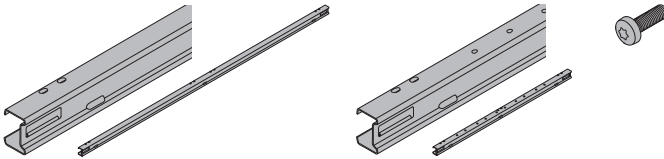
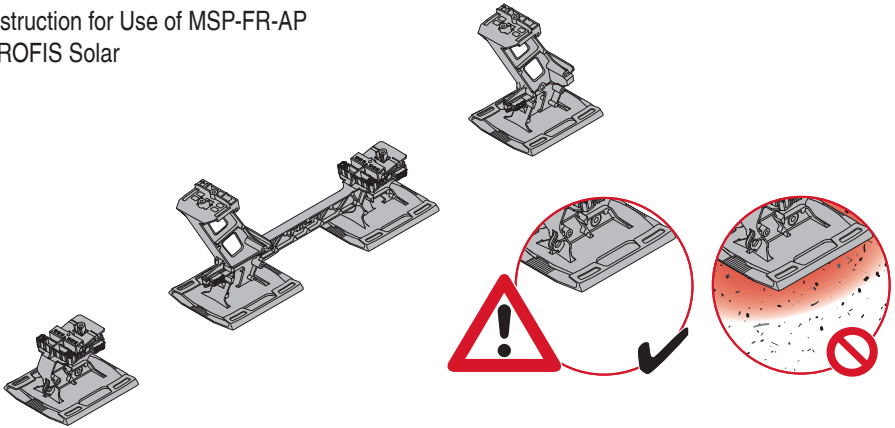


**MSP-FR-LDP**

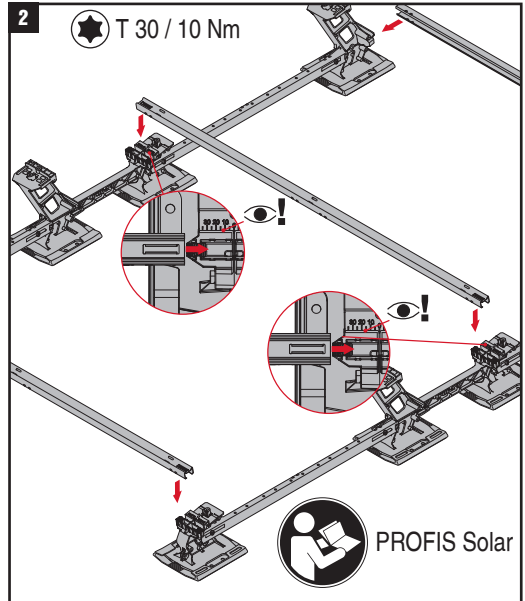
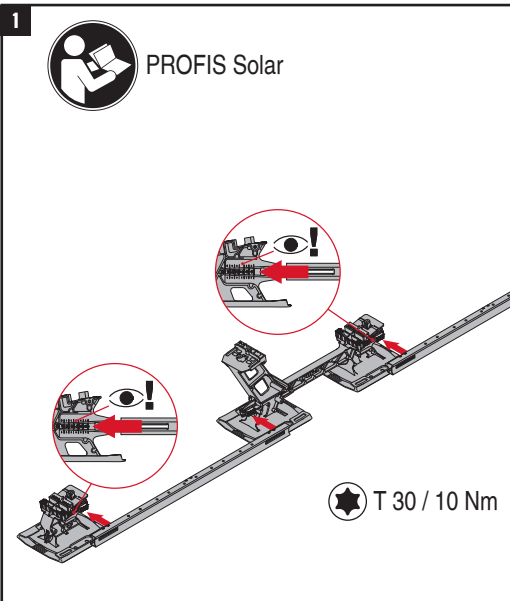
**MSP-FR-SN, MSP-FR-SS, MSP-FR-SM**

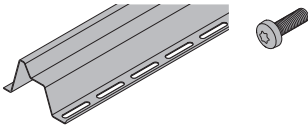


Instruction for Use of MSP-FR-AP  
PROFIS Solar

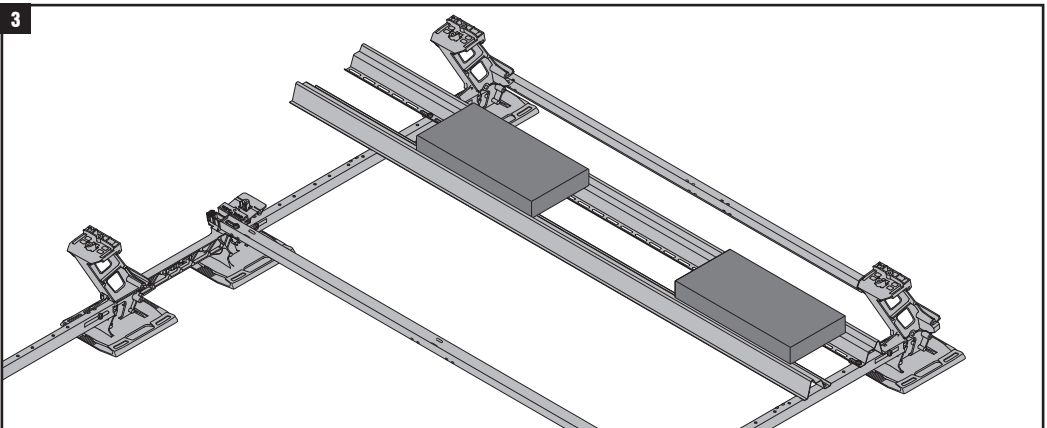
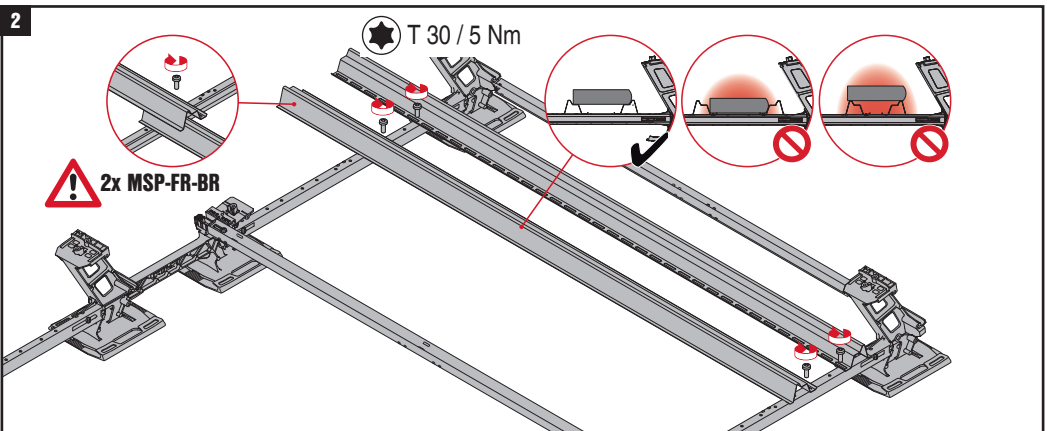
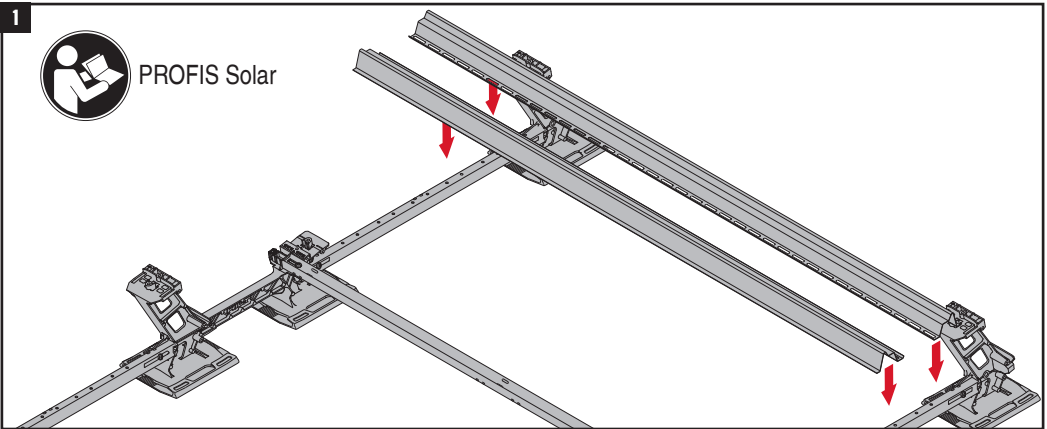


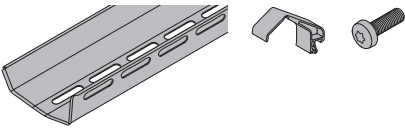
**MSP-FR-CEW, MSP-FR-CNS, MSP-FR-S**



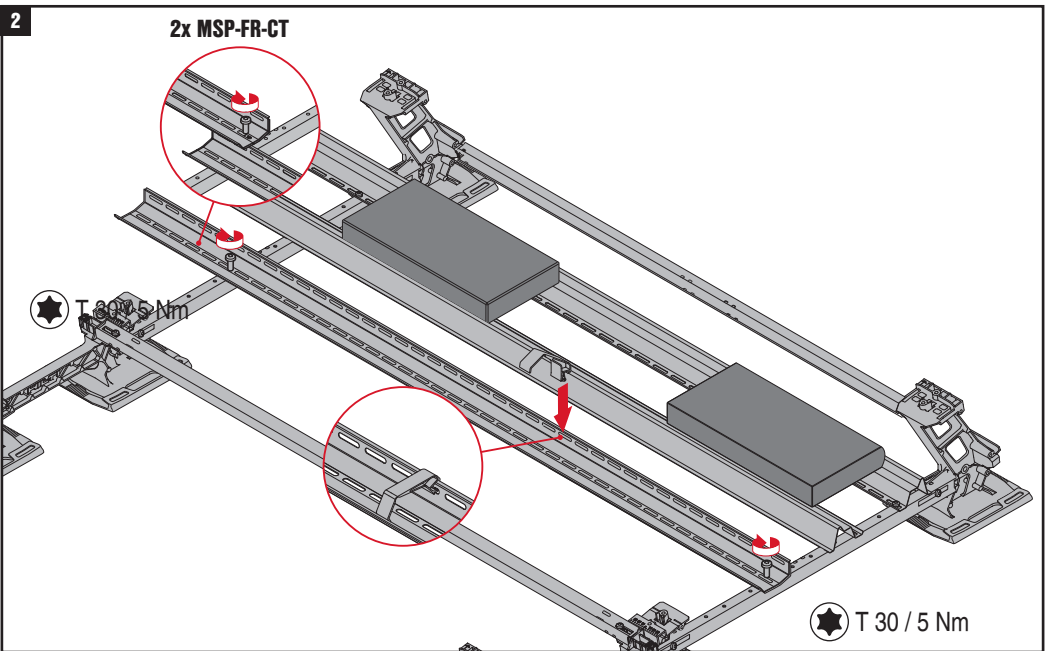
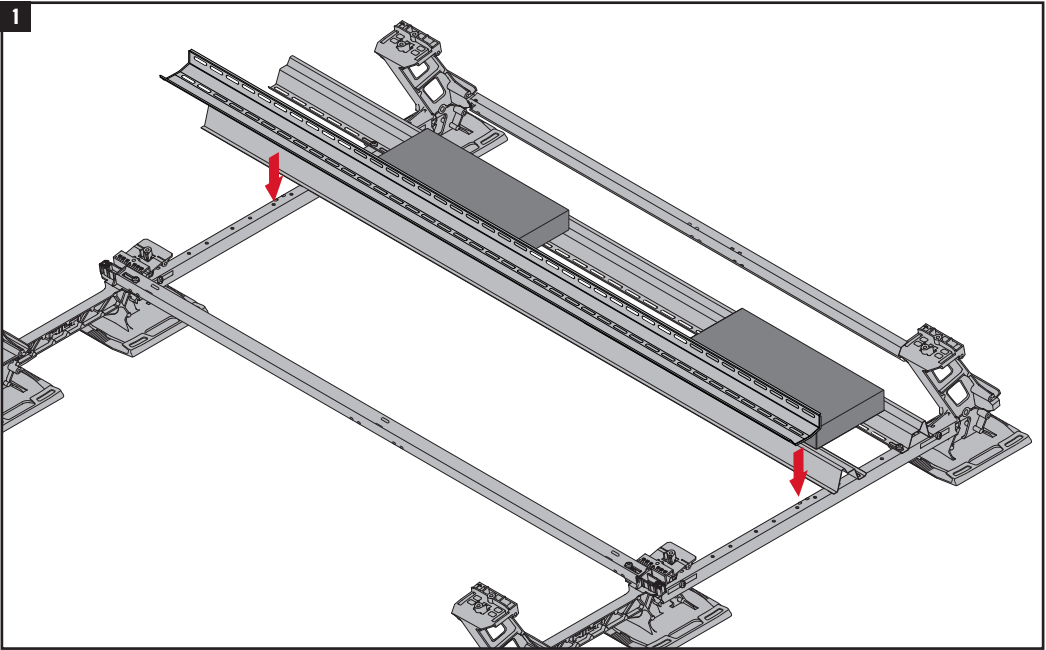


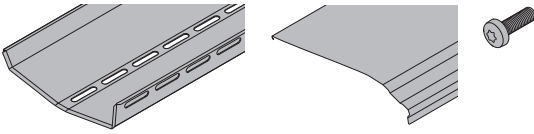
## MSP-FR-BR, MSP-FR-S



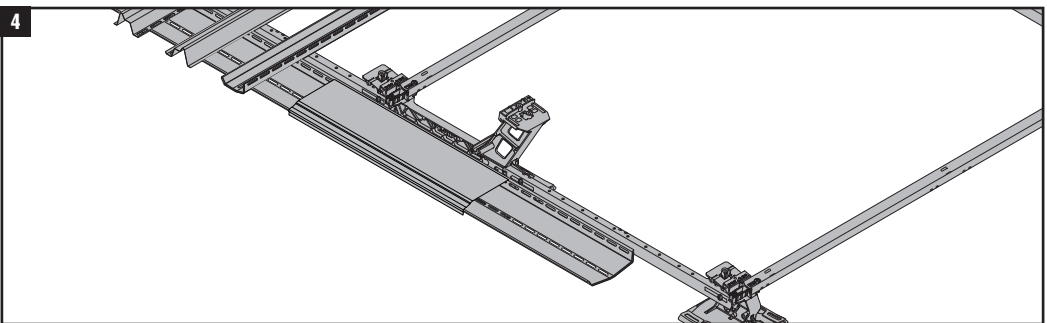
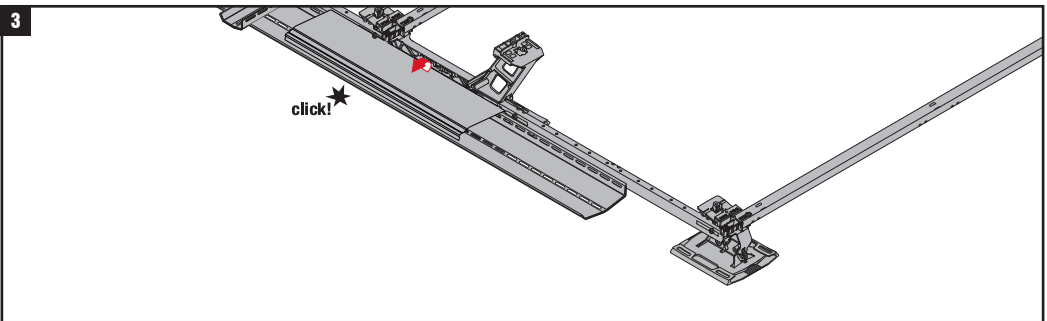
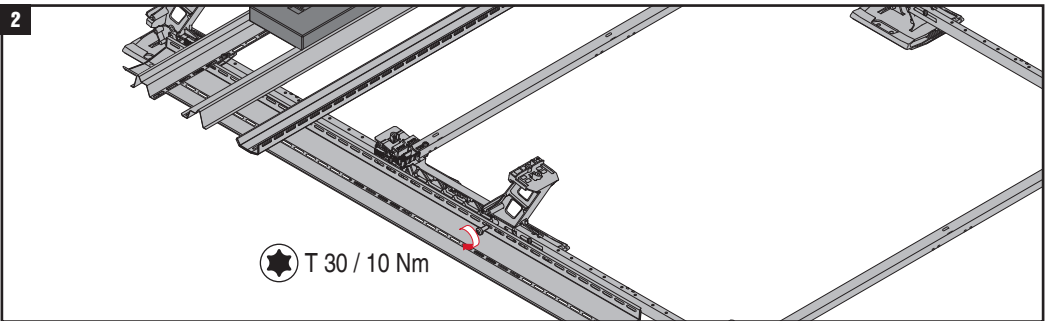
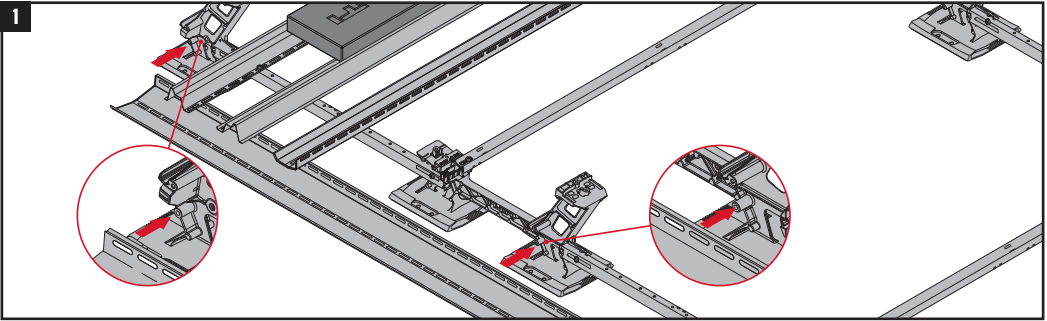


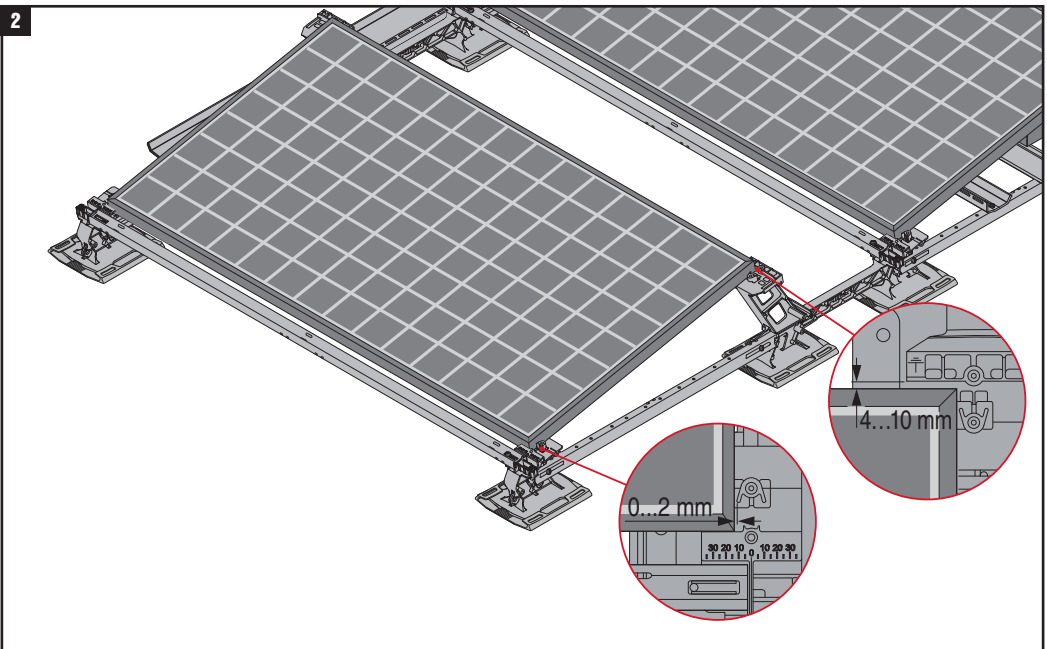
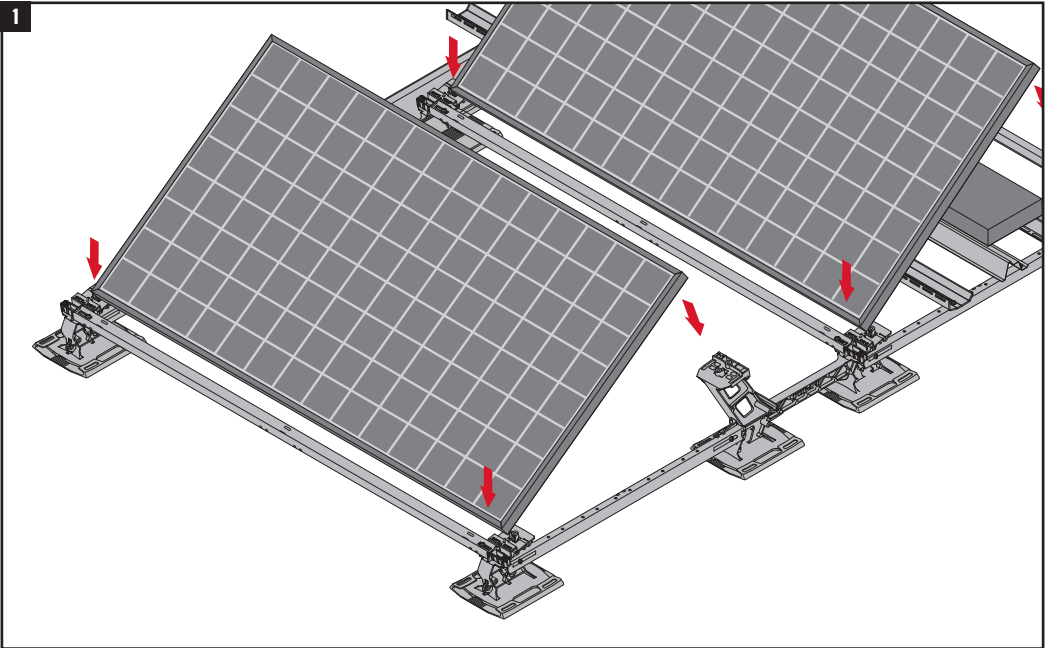
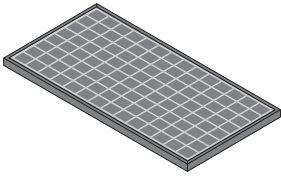
**MSP-FR-CT, MSP-FR-CH, MSP-FR-S**

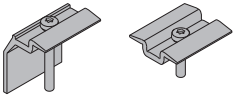




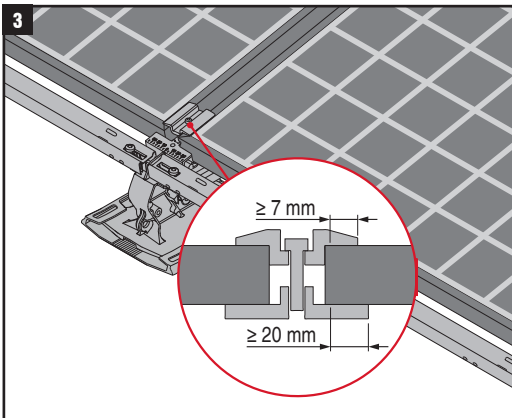
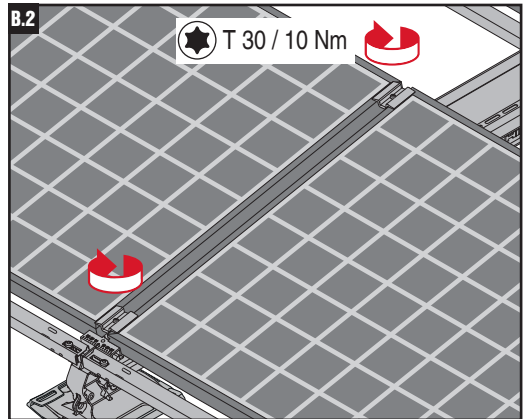
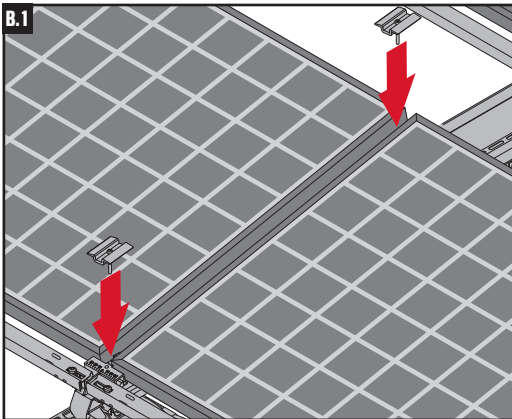
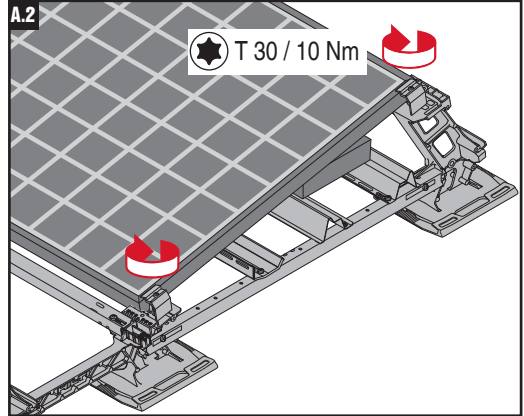
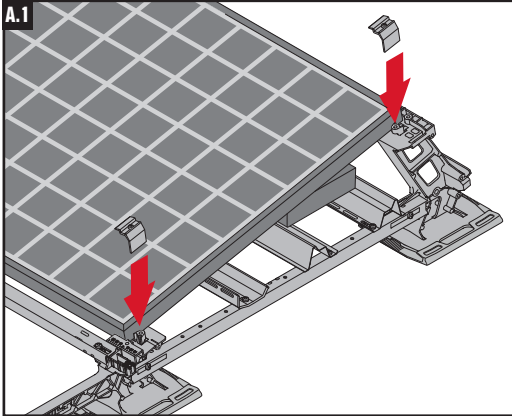
**MSP-FR-CT, MSP-FR-CTC, MSP-FR-S**

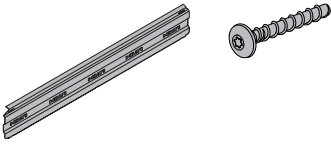




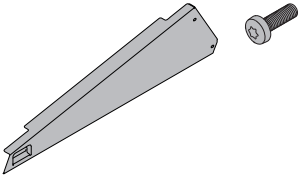
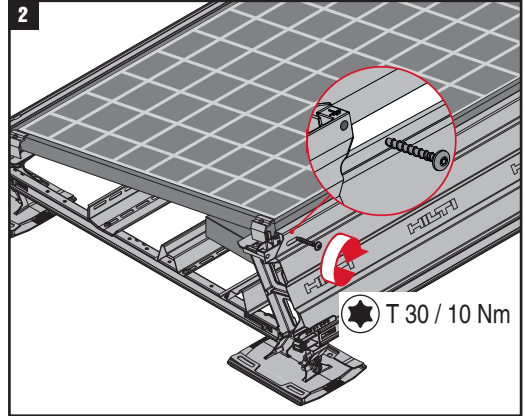
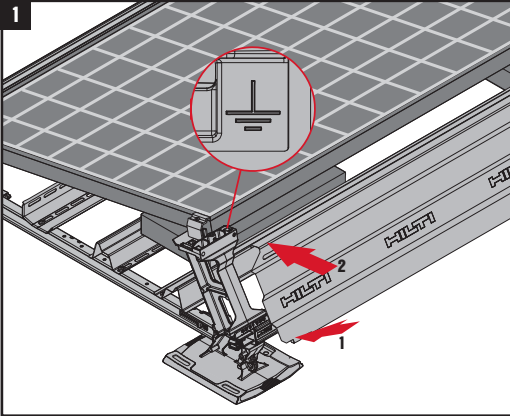


**MSP-FR-EC, MSP-FR-MC**





**MSP-FR-WDN, MSP-FR-GS**



**MSP-FR-WDE**

