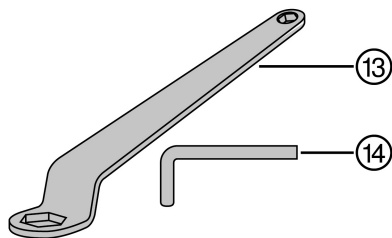
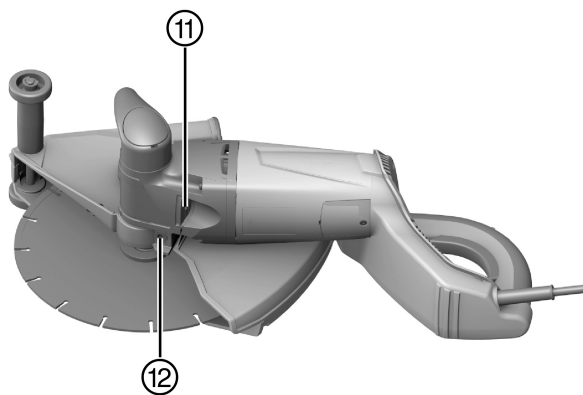
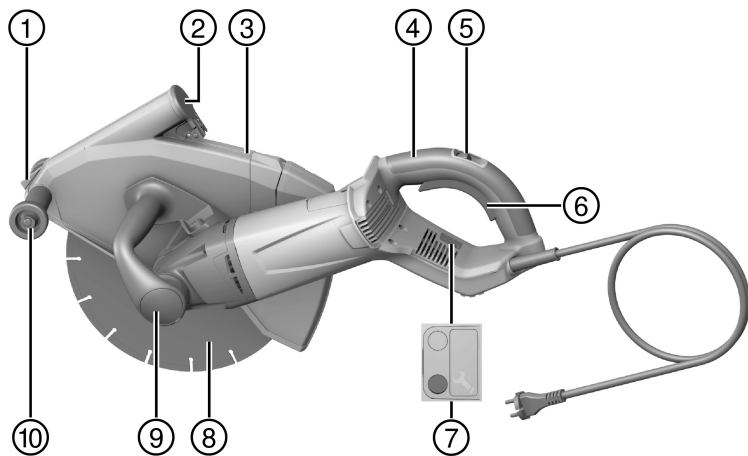
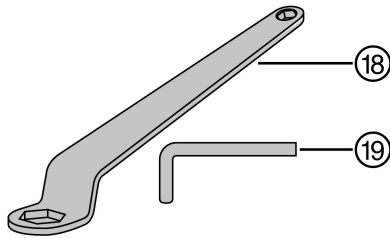
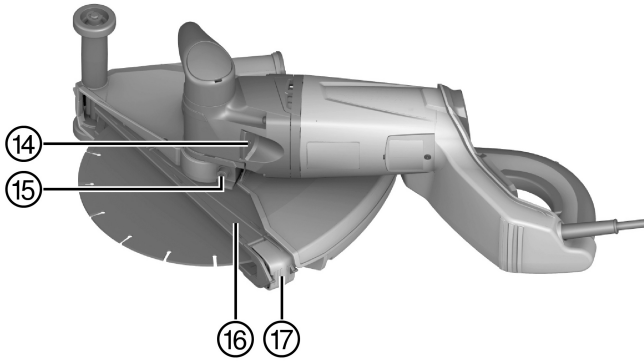
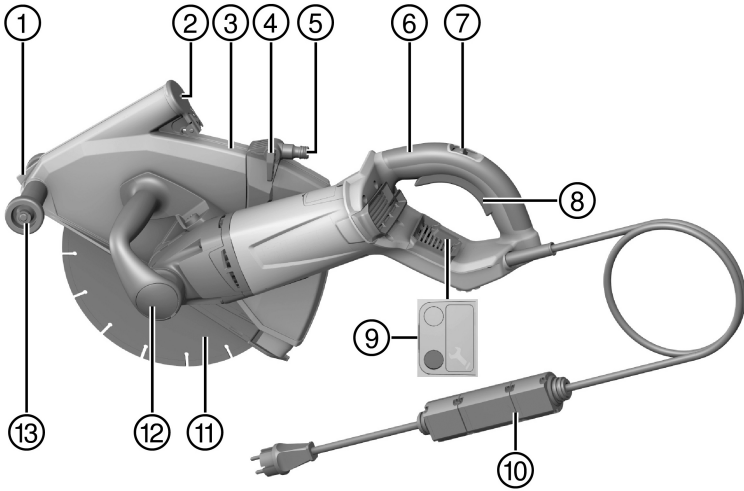




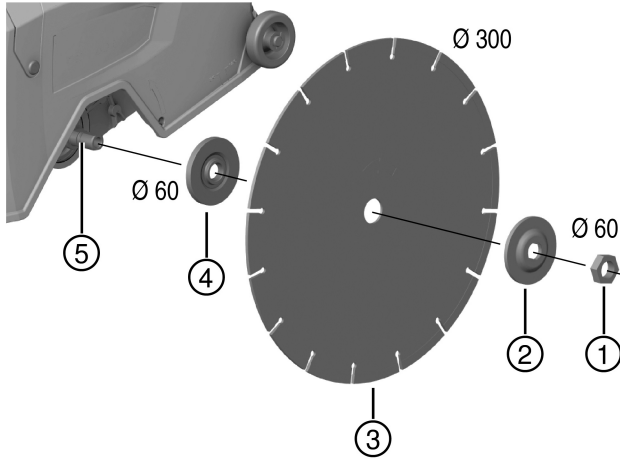
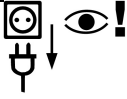
DCH 300
DCH 300-X

English	1
Français	16
Español	32
Português	48

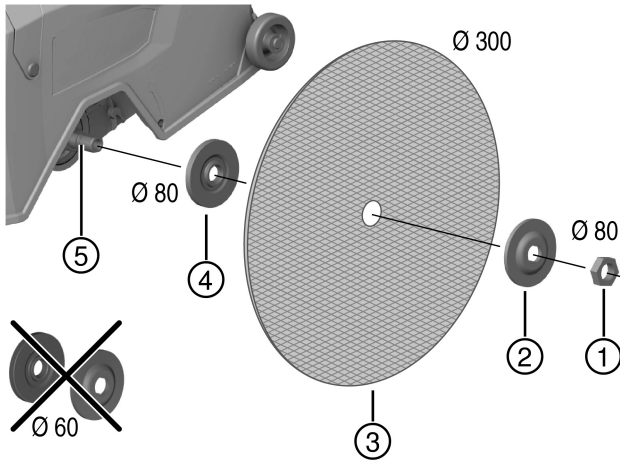
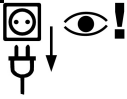


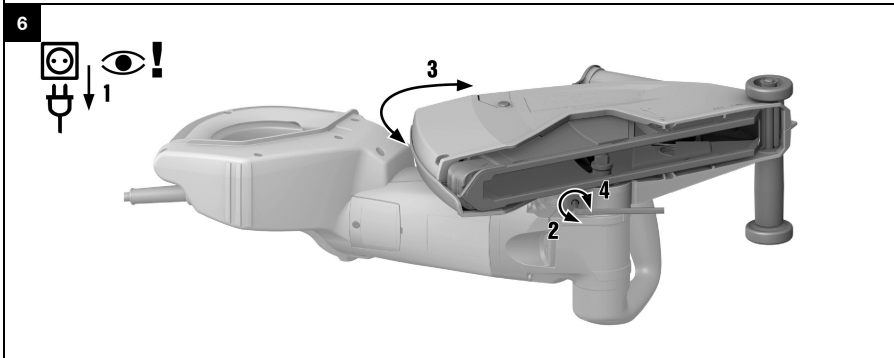
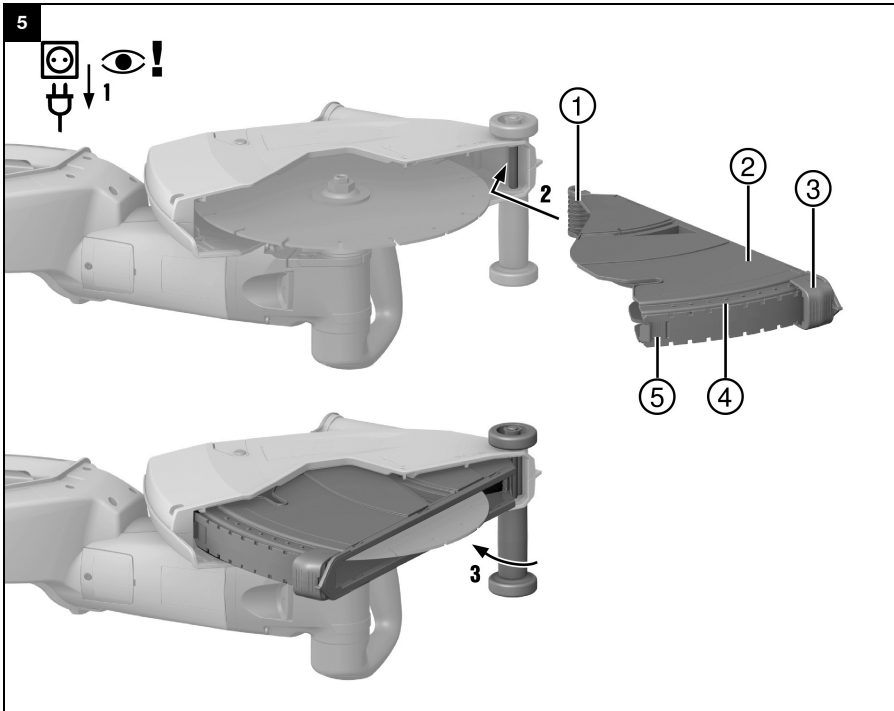


3



4





1 Information about the documentation

1.1 About this documentation

- Read this documentation before initial operation or use. This is a prerequisite for safe, trouble-free handling and use of the product.
- Observe the safety instructions and warnings in this documentation and on the product.
- Always keep the operating instructions with the product and make sure that the operating instructions are with the product when it is given to other persons.

1.2 Explanation of symbols used

1.2.1 Warnings

Warnings alert persons to hazards that occur when handling or using the product. The following signal words are used:



DANGER !

- ▶ Draws attention to imminent danger that will lead to serious personal injury or fatality.



WARNING !

- ▶ Draws attention to a potential threat of danger that can lead to serious injury or fatality.



CAUTION !

- ▶ Draws attention to a potentially dangerous situation that could lead to slight personal injury or damage to the equipment or other property.

1.2.2 Symbols in the documentation

The following symbols are used in this document:

	Read the operating instructions before use.
	Instructions for use and other useful information
	Dealing with recyclable materials
	Do not dispose of electric equipment and batteries as household waste

1.2.3 Symbols in the illustrations

The following symbols are used in illustrations:

	These numbers refer to the corresponding illustrations found at the beginning of these operating instructions
3	The numbering reflects the sequence of operations shown in the illustrations and may deviate from the steps described in the text
	Item reference numbers are used in the overview illustrations and refer to the numbers used in the product overview section
	This symbol is intended to draw special attention to certain points when handling the product.
	Wireless data transfer

1.3 Product-dependent symbols

1.3.1 Symbols on the product

The following symbols are used on the product:

	Protection class II (double-insulated)
\varnothing	Diameter
n	Rated speed
/min	Revolutions per minute
	Alternating current
	Wireless communication
	Wear eye protection

1.4 Product information

Hilti products are designed for professional use and may be operated, serviced and maintained only by trained, authorized personnel. This personnel must be informed of any particular hazards that may be encountered. The product and its ancillary equipment can present hazards if used incorrectly by untrained personnel or if used not in accordance with the intended use.

The type designation and serial number are stated on the rating plate.

- ▶ Write down the serial number in the table below. You will be required to state the product details when contacting Hilti Service or your local Hilti organization to inquire about the product.

Product information

Diamond cutter	DCH 300 DCH 300-X
Generation	01
Serial no.	

1.5 Declaration of conformity

We declare, on our sole responsibility, that the product described here complies with the applicable directives and standards. A copy of the declaration issued by the certification department can be found at the end of this documentation.

The technical documentation is filed and stored here:

Hilti Entwicklungsgesellschaft mbH | Tool Certification | Hiltistrasse 6 | 86916 Kaufering, Germany

2 Safety

2.1 General power tool safety warnings

WARNING

Read all safety warnings and all instructions. Failure to follow the warnings and instructions may result in electric shock, fire and/or serious injury.

Save all warnings and instructions for future reference.

The term “power tool” in the warnings refers to your mains-operated (corded) power tool or battery-operated (cordless) power tool.

Work area safety

- ▶ **Keep work area clean and well lit.** Cluttered or dark areas invite accidents.
- ▶ **Do not operate power tools in explosive atmospheres, such as in the presence of flammable liquids, gases or dust.** Power tools create sparks which may ignite the dust or fumes.
- ▶ **Keep children and bystanders away while operating a power tool.** Distractions can cause you to lose control.



Electrical safety

- ▶ **Power tool plugs must match the outlet. Never modify the plug in any way. Do not use any adapter plugs with earthed (grounded) power tools.** Unmodified plugs and matching outlets will reduce risk of electric shock.
- ▶ **Avoid body contact with earthed or grounded surfaces, such as pipes, radiators, ranges and refrigerators.** There is an increased risk of electric shock if your body is earthed or grounded.
- ▶ **Do not expose power tools to rain or wet conditions.** Water entering a power tool will increase the risk of electric shock.
- ▶ **Do not abuse the cord. Never use the cord for carrying, pulling or unplugging the power tool. Keep cord away from heat, oil, sharp edges or moving parts.** Damaged or entangled cords increase the risk of electric shock.
- ▶ **When operating a power tool outdoors, use an extension cord suitable for outdoor use.** Use of a cord suitable for outdoor use reduces the risk of electric shock.
- ▶ **If operating a power tool in a damp location is unavoidable, use a residual current device (RCD) protected supply.** Use of an RCD reduces the risk of electric shock.

Personal safety

- ▶ **Stay alert, watch what you are doing and use common sense when operating a power tool. Do not use a power tool while you are tired or under the influence of drugs, alcohol or medication.** A moment of inattention while operating power tools may result in serious personal injury.
- ▶ **Use personal protective equipment. Always wear eye protection.** Protective equipment such as dust mask, non-skid safety shoes, hard hat, or hearing protection used for appropriate conditions will reduce personal injuries.
- ▶ **Prevent unintentional starting. Ensure the switch is in the off-position before connecting to power source and/or battery pack, picking up or carrying the tool.** Carrying power tools with your finger on the switch or energising power tools that have the switch on invites accidents.
- ▶ **Remove any adjusting key or wrench before turning the power tool on.** A wrench or a key left attached to a rotating part of the power tool may result in personal injury.
- ▶ **Do not overreach. Keep proper footing and balance at all times.** This enables better control of the power tool in unexpected situations.
- ▶ **Dress properly. Do not wear loose clothing or jewellery. Keep your hair, clothing and gloves away from moving parts.** Loose clothes, jewellery or long hair can be caught in moving parts.
- ▶ **If devices are provided for the connection of dust extraction and collection facilities, ensure these are connected and properly used.** Use of dust collection can reduce dust-related hazards.

Power tool use and care

- ▶ **Do not force the power tool. Use the correct power tool for your application.** The correct power tool will do the job better and safer at the rate for which it was designed.
- ▶ **Do not use the power tool if the switch does not turn it on and off.** Any power tool that cannot be controlled with the switch is dangerous and must be repaired.
- ▶ **Disconnect the plug from the power source and/or the battery pack from the power tool before making any adjustments, changing accessories, or storing power tools.** Such preventive safety measures reduce the risk of starting the power tool accidentally.
- ▶ **Store idle power tools out of the reach of children and do not allow persons unfamiliar with the power tool or these instructions to operate the power tool.** Power tools are dangerous in the hands of untrained users.
- ▶ **Maintain power tools. Check for misalignment or binding of moving parts, breakage of parts and any other condition that may affect the power tool's operation. If damaged, have the power tool repaired before use.** Many accidents are caused by poorly maintained power tools.
- ▶ **Keep cutting tools sharp and clean.** Properly maintained cutting tools with sharp cutting edges are less likely to bind and are easier to control.
- ▶ **Use the power tool, accessories and tool bits etc. in accordance with these instructions, taking into account the working conditions and the work to be performed.** Use of the power tool for operations different from those intended could result in a hazardous situation.

Service

- ▶ **Have your power tool serviced by a qualified repair person using only identical replacement parts.** This will ensure that the safety of the power tool is maintained.

2.2 Cut-off machine safety warnings

- ▶ **The guard provided with the tool must be securely attached to the power tool and positioned for maximum safety, so the least amount of wheel is exposed towards the operator. Position yourself**

and bystanders away from the plane of the rotating wheel. The guard helps to protect operator from broken wheel fragments and accidental contact with wheel.

- ▶ **Use only bonded reinforced or diamond cut-off wheels for your power tool.** Just because an accessory can be attached to your power tool, it does not assure safe operation.
- ▶ **The rated speed of the accessory must be at least equal to the maximum speed marked on the power tool.** Accessories running faster than their rated speed can break and fly apart.
- ▶ **Wheels must be used only for recommended applications. For example: do not grind with the side of cut-off wheel.** Abrasive cut-off wheels are intended for peripheral grinding, side forces applied to these wheels may cause them to shatter.
- ▶ **Always use undamaged wheel flanges that are of correct diameter for your selected wheel.** Proper wheel flanges support the wheel thus reducing the possibility of wheel breakage.
- ▶ **Do not use worn down reinforced wheels from larger power tools.** Wheels intended for a larger power tool are not suitable for the higher speed of a smaller tool and may burst.
- ▶ **The outside diameter and the thickness of your accessory must be within the capacity rating of your power tool.** Incorrectly sized accessories cannot be adequately guarded or controlled.
- ▶ **The arbour size of wheels and flanges must properly fit the spindle of the power tool.** Wheels and flanges with arbour holes that do not match the mounting hardware of the power tool will run out of balance, vibrate excessively and may cause loss of control.
- ▶ **Do not use damaged wheels. Before each use, inspect the wheels for chips and cracks. If power tool or wheel is dropped, inspect for damage or install an undamaged wheel. After inspecting and installing the wheel, position yourself and bystanders away from the plane of the rotating wheel and run the power tool at maximum no load speed for one minute.** Damaged wheels will normally break apart during this test time.
- ▶ **Wear personal protective equipment. Depending on application, use face shield, safety goggles or safety glasses. As appropriate, wear dust mask, hearing protectors, gloves and shop apron capable of stopping small abrasive or workpiece fragments.** The eye protection must be capable of stopping flying debris generated by various operations. The dust mask or respirator must be capable of filtering particles generated by your operation. Prolonged exposure to high intensity noise may cause hearing loss.
- ▶ **Keep bystanders a safe distance away from work area. Anyone entering the work area must wear personal protective equipment.** Fragments of workpiece or of a broken wheel may fly away and cause injury beyond immediate area of operation.
- ▶ **Hold the power tool by insulated gripping surfaces only, when performing an operation where the cutting accessory may contact hidden wiring or its own cord.** Cutting accessory contacting a "live" wire may make exposed metal parts of the power tool "live" and could give the operator an electric shock.
- ▶ **Position the cord clear of the spinning accessory.** If you lose control, the cord may be cut or snagged and your hand or arm may be pulled into the spinning wheel.
- ▶ **Never lay the power tool down until the accessory has come to a complete stop.** The spinning wheel may grab the surface and pull the power tool out of your control.
- ▶ **Do not run the power tool while carrying it at your side.** Accidental contact with the spinning accessory could snag your clothing, pulling the accessory into your body.
- ▶ **Regularly clean the power tool's air vents.** The motor's fan will draw the dust inside the housing and excessive accumulation of powdered metal may cause electrical hazards.
- ▶ **Do not operate the power tool near flammable materials.** Sparks could ignite these materials.
- ▶ **Do not use accessories that require liquid coolants.** Using water or other liquid coolants may result in electrocution or shock.

Kickback and related warnings

Kickback is a sudden reaction to a pinched or snagged rotating wheel. Pinching or snagging causes rapid stalling of the rotating wheel which in turn causes the uncontrolled power tool to be forced in the direction opposite of the wheel's rotation at the point of the binding.

For example, if an abrasive wheel is snagged or pinched by the workpiece, the edge of the wheel that is entering into the pinch point can dig into the surface of the material causing the wheel to climb out or kick out. The wheel may either jump toward or away from the operator, depending on direction of the wheel's movement at the point of pinching. Abrasive wheels may also break under these conditions.

Kickback is the result of power tool misuse and/or incorrect operating procedures or conditions and can be avoided by taking proper precautions as given below.

- ▶ **Maintain a firm grip on the power tool and position your body and arm to allow you to resist kickback forces. Always use auxiliary handle, if provided, for maximum control over kickback or**



torque reaction during start-up. The operator can control torque reactions or kickback forces, if proper precautions are taken.

- ▶ **Never place your hand near the rotating accessory.** Accessory may kickback over your hand.
- ▶ **Do not position your body in line with the rotating wheel.** Kickback will propel the tool in direction opposite to the wheel's movement at the point of snagging.
- ▶ **Use special care when working corners, sharp edges etc. Avoid bouncing and snagging the accessory.** Corners, sharp edges or bouncing have a tendency to snag the rotating accessory and cause loss of control or kickback.
- ▶ **Do not attach a saw chain, woodcarving blade, segmented diamond wheel with a peripheral gap greater than 10 mm or toothed saw blade.** Such blades create frequent kickback and loss of control.
- ▶ **Do not "jam" the wheel or apply excessive pressure. Do not attempt to make an excessive depth of cut.** Overstressing the wheel increases the loading and susceptibility to twisting or binding of the wheel in the cut and the possibility of kickback or wheel breakage.
- ▶ **When wheel is binding or when interrupting a cut for any reason, switch off the power tool and hold the power tool motionless until the wheel comes to a complete stop. Never attempt to remove the wheel from the cut while the wheel is in motion otherwise kickback may occur.** Investigate and take corrective action to eliminate the cause of wheel binding.
- ▶ **Do not restart the cutting operation in the workpiece. Let the wheel reach full speed and carefully re-enter the cut.** The wheel may bind, walk up or kickback if the power tool is restarted in the workpiece.
- ▶ **Support panels or any oversized workpiece to minimize the risk of wheel pinching and kickback.** Large workpieces tend to sag under their own weight. Supports must be placed under the workpiece near the line of cut and near the edge of the workpiece on both sides of the wheel.
- ▶ **Use extra caution when making a "pocket cut" into existing walls or other blind areas.** The protruding wheel may cut gas or water pipes, electrical wiring or objects that can cause kickback.

2.3 Additional safety instructions

Personal safety

- ▶ When working, always guide the supply cord and the extension cable to the rear and away from the power tool. This reduces the risk of tripping over cables while work is in progress.
- ▶ If work involves break-through, always secure the area on the side opposite where the work is carried out. Pieces of debris could drop out and/or fall down and injure other persons.
- ▶ Use the product only when it is in perfect working order.
- ▶ Never tamper with or modify the power tool in any way.
- ▶ Wear protective gloves, especially when changing discs, when adjusting the guard and when installing the depth gauge.
- ▶ Use a dust removal system and suitable mobile dust extractor whenever possible. Dust from materials such as lead-based paint, certain types of wood and concrete/masonry/stone containing quartz, minerals or metal can be harmful to health.
- ▶ Before starting work, check the hazard class of the dust that will be produced when working. Use an industrial vacuum cleaner with an officially approved protection class in compliance with the locally applicable dust protection regulations.
- ▶ Make sure that the workplace is well ventilated and, if necessary, wear a respirator appropriate for the type of dust generated. Contact with or inhalation of the dust can cause allergic reactions and/or respiratory or other diseases among operators or bystanders. Certain kinds of dust such as oakwood and beechwood dust are classified as carcinogenic, especially in conjunction with additives for wood conditioning (chromate, wood preservative). Only specialists are permitted to handle material containing asbestos.
- ▶ Wear light respiratory protection when using the power tool for dry cutting without a vacuum dust removal system. Close the cap over the dust removal hose connector.
- ▶ Do not touch rotating parts – risk of injury! Switch the power tool on only after it is in position at the workpiece.
- ▶ Take breaks between working and do relaxation and finger exercises to improve the blood circulation in your fingers. Exposure to vibration during long periods of work can lead to disorders of the blood vessels and nervous system in the fingers, hands and wrists.

Electrical safety

- ▶ Before beginning work, check the working area (e.g. using a metal detector) to ensure that no concealed electric cables or gas and water pipes are present. External metal parts on the power tool can become live, for example if you inadvertently damage electric wiring.



- ▶ Do not touch the supply cord or extension cord if it is damaged while working. Unplug the supply cord from the power outlet.
- ▶ Check the power tool's supply cord at regular intervals and have it replaced by a qualified specialist if found to be damaged.
- ▶ Check extension cords at regular intervals and replace them if found to be damaged.

Using and handling the power tool

- ▶ Make sure that sparks created during use do not present a hazard. Adjust the guard to the appropriate position.
- ▶ Before use, make sure that the cutting disc is correctly installed and secured and run the cutting disc for 30 seconds under no load in a safe position. Switch off the power tool immediately if significant vibration occurs or some other fault is perceived. Under these circumstances, check the entire system to ascertain the cause.
- ▶ Do not use the power tool if it starts sharply or jerkily. The electronics might be defective. Have the power tool repaired by **Hilti Service**.
- ▶ Close the cap over the dust removal hose connector for cutting metals.

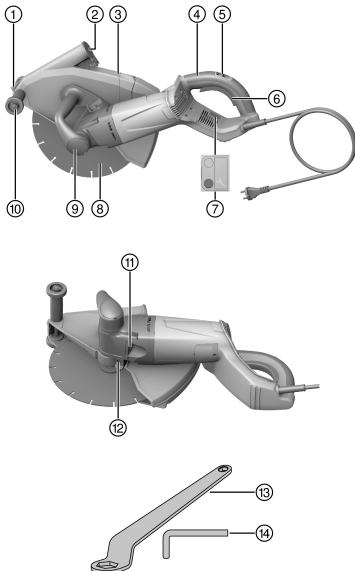
Slits cut into load-bearing walls or other structures can influence the statics of the structure, especially when reinforcing bars or load-bearing components are cut.

- ▶ Consult the responsible structural engineer, architect or person in charge of the building project before starting work.
- ▶ Guide the power tool carefully and make straight cuts in order to keep the cutting disc from jamming. Do not attempt to make curved cuts.
- ▶ Guide the power tool smoothly and do not apply lateral pressure to the cutting disc. Always bring the power tool into contact with the workpiece at right angles. Do not attempt to change the line of cut by applying lateral pressure or by bending the cutting disc while cutting is in progress. This could damage the cutting disc and cause it to break.
- ▶ Never use the power tool without the guard.

3 Description

3.1 Product overview

DCH 300

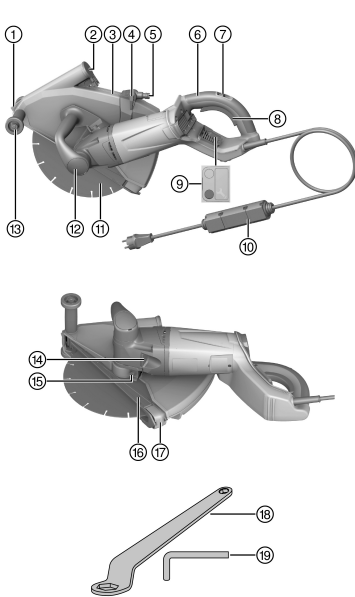


- ① Cut indicator
- ② Dust removal connector cap
- ③ Guard
- ④ Rear grip
- ⑤ Switch-on interlock release button
- ⑥ On/off switch
- ⑦ Service indicator
- ⑧ Diamond cutting disc
- ⑨ Front grip
- ⑩ Guide roller
- ⑪ Arbor lockbutton
- ⑫ Hood clamping screw
- ⑬ Clamping nut wrench, 24 / 10 mm AF
- ⑭ Hex key, 6 mm AF



3.2 Product overview 2

DCH 300-X



- ① Cut indicator
- ② Dust removal connector cap
- ③ Guard
- ④ Water regulating valve
- ⑤ Water connection
- ⑥ Rear grip
- ⑦ Switch-on interlock release button
- ⑧ On/off switch
- ⑨ Service indicator
- ⑩ Portable residual current device (PRCD)
- ⑪ Diamond cutting disc
- ⑫ Front grip
- ⑬ Guide roller
- ⑭ Arbor lockbutton
- ⑮ Hood clamping screw
- ⑯ Depth gauge
- ⑰ Cutting depth indicator slider
- ⑱ Clamping nut wrench, 24 / 10 mm AF
- ⑲ Hex key, 6 mm AF

3.3 Intended use

DCH 300

The product described is an electric cutter designed to be used with diamond cutting discs for dry-cutting mineral materials.

DCH 300-X

The product described is an electric cutter designed to be used with diamond cutting discs for cutting mineral materials with or without use of water.

When dry-cutting mineral materials, you must use a dust removal system complete with the appropriate filter e.g. the **Hilti** VC 300-17 X universal industrial vacuum cleaner.

Use a vacuum cleaner with anti-static suction hose to avoid electrostatic effects.

Optionally, the product can also be used with synthetic resin-bonded abrasive cutting discs for metal-cutting without water. Special accessories (80 mm diameter flange assembly, consisting of clamping flange and reversible flange) are required for this application.

Use the product in push mode only (cutting disc count-rotating).

Operate the product only when it is connected to a power source providing a voltage and frequency in compliance with the information stated on the type identification plate.

3.4 Possible misuse

Do not use the product in environments where there is a risk of explosion.

Do not use the product for roughing down or grinding.

Do not use the product to work on hazardous or flammable materials (e.g. asbestos, magnesium, wood).

Do not use the product for cutting with water.

3.5 Starting current limitation

The starting current drawn by the power tool is several times higher than its rated current. The electronic starting current limiter reduces the starting current drawn by the power tool and thus prevents the mains fuse blowing. It also allows the power tool to start smoothly, without a jolt.

3.6 Restart interlock

The diamond cutter does not restart by itself after an interruption in the electric supply. The on/off switch must first be released and then pressed again after approx. 1 second.

3.7 Electronic overload protection

The cutter is equipped with an electronic overload protection system that monitors current input. If the current drawn by the motor is too high, e.g. due to application of excessive pressure by the user, the electronic overload protection system switches the power tool off. To switch the power tool on again, release the on/off switch and then press it again.



The user should aim to work continuously with the tool without activation of the automatic cut-out. The user can prevent activation of this automatic cut-out by reducing the pressure applied to the tool.

3.8 Service indicator

The diamond cutter is equipped with a visual (LED) service indicator.

Status	Meaning
The service indicator lights red.	<ul style="list-style-type: none"> End of service interval – servicing is due. After the LED lights for the first time, the diamond cutter can continue to be used for several hours (running time) before the automatic cut-out is activated. Return the product to Hilti Service for servicing in good time in order to ensure that it is always ready for use.
The service indicator blinks red.	<ul style="list-style-type: none"> The product is defective. Have the product repaired by Hilti Service.

3.9 Depth gauge



The depth gauge is not one of the items supplied with the DCH 300 diamond cutter, but it is available as a retrofit (accessory).

The desired maximum cutting depth can be set with the aid of the cutting depth scale on the depth gauge. The depth gauge also improves dust removal performance.

3.10 Items supplied

Diamond cutter with hood, depth gauge (only DCH 300-X), Ø 41 mm clamping flange, M14 clamping nut, 24 / 10 mm AF wrench, 6 mm AF hex key, Operating instructions.

Other system products approved for use with this product can be found at your local **Hilti Store** or online at: www.hilti.group | USA: www.hilti.com



4 Technical data

4.1 Technical data

i For rated voltage, rated current, frequency and/or input power, refer to the country-specific type identification plate.

If the tool is powered by a generator or transformer, the generator or transformer's power output must be at least twice the rated input power shown on the rating plate of the tool. The operating voltage of the transformer or generator must always be within +5% and -15% of the rated voltage of the tool.

	DCH 300	DCH 300-X
Weight	20.7 lb (9.4 kg)	20.7 lb (9.4 kg)
Arbor thread size	M16 × 1.5	M16 × 1.5
Cutting disc mount	0.87 in (22.2 mm)	0.87 in (22.2 mm)
Cutting disc diameter	12.0 in (305 mm)	12.0 in (305 mm)
Cutting disc thickness	≤ 0.14 in (≤ 3.5 mm)	≤ 0.14 in (≤ 3.5 mm)
Rated speed	4,900 /min	4,900 /min
Clamping nut tightening torque (for securing the cutting disc)	30 ftlb, ... 37 ftlb, (40 Nm ... 50 Nm)	30 ftlb, ... 37 ftlb, (40 Nm ... 50 Nm)

4.2 Selecting suitable cutting discs

- ▶ Use only cutting discs with a specification suitable for the intended application.

Cutting disc specifications

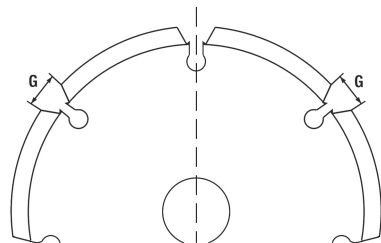
Area of application	Cutting disc specifications
Cutting mineral materials	Diamond cutting discs as per EN 13226
Cutting metal	Synthetic resin-bonded, fiber-reinforced cutting discs in accordance with EN 12413 (flat, type 41) ¹⁾
¹⁾ To allow the disc to be fitted to the tool, the special DCH 300 ABR mounting flange (accessory) must be used.	

- ▶ Observe the disc mounting instructions issued by the disc manufacturer.

4.3 Dimensions and format of suitable diamond cutting discs

Diamond cutting discs must meet the following requirements in terms of dimensions and format.

Technical data	
Slot width between segments (G)	≤ 10 mm
Cutting angle	Negative



5 Operation

5.1 General information

5.1.1 Using a generator or transformer

This tool may be powered by a generator or transformer when the following conditions are fulfilled:

- The power output of the generator or transformer (in watts) must be at least twice the power rating of the tool (see type identification plate).

- The voltage provided by the power source must remain within +5 % and -15 % of the tool's rated voltage.
- Frequency: 50 to 60 Hz (never above 65 Hz)
- The power source must be equipped with automatic voltage regulation and starting boost.

ATTENTION

Risk of damage Switching on or switching off other power tools or appliances connected to the generator or transformer may cause undervoltage and/or overvoltage peaks, resulting in damage to the cutter.

- ▶ Never operate other power tools or appliances from the generator or transformer at the same time. Where applicable, use a generator or transformer designed for simultaneous operation of the cutter and vacuum cleaner.

5.1.2 Use of extension cords

WARNING

A damaged supply cord presents a hazard! Do not touch the supply cord or extension cord if damaged while working. Disconnect the supply cord plug from the power outlet.

- ▶ Check the appliance's supply cord at regular intervals and have it replaced by a qualified specialist if found to be damaged.
- Use only extension cords of a type approved for the application and with conductors of adequate cross-section. Otherwise the performance of the appliance may be affected and the cord may overheat.
- Regularly check the extension cord for damage.
- Replace damaged extension cords.
- When working outdoors, use only extension cords that are approved and correspondingly marked for this application.

Recommended minimum conductor cross-sections and maximum power cord lengths for 120V supply voltage

Power cord	AWG 16	AWG 14	AWG 12	AWG 10
Conductor cross-section	1,31 mm ²	2,08 mm ²	3,31 mm ²	5,26 mm ²
Conductor cross-section	2,58 kcmil	4,11 kcmil	6,53 kcmil	10,4 kcmil
Power cord length	25 m	30 m	50 m	100 m
Power cord length	75 ft	100 ft	150 ft	250 ft

5.1.3 Checking the portable residual current device (PRCD)

DCH 300-X

1. Plug the power tool's supply cord into a grounded power outlet.
2. Press the **ON** button on the portable residual current device.
 - ◀ The indicator shows.
3. Press the **Test** button on the portable residual current device.
 - ◀ The indicator goes out.
 - ▼ The indicator does not go out.
 - ▶ Do not use the power tool. Have it repaired by a qualified specialist using genuine Hilti spare parts.

5.2 Fitting a diamond cutting disc

- ① M16 × 1.5 clamping nut
- ② Ø 60 mm clamping flange
- ③ Diamond cutting disc
- ④ Ø 60 mm reversible flange
- ⑤ Arbor

1. Observe the instructions concerning correct selection of suitable cutting discs → page 9 and the dimension and format specifications for diamond cutting discs → page 9.
2. Disconnect the mains plug from the power outlet.
3. Clean the clamping flange and the clamping nut.

- Fit the 60 mm diameter reversible flange onto the arbor the right way round, so that it is no longer free to rotate.



The 60 mm diameter reversible flange is used for mounting cutting discs with an arbor hole size of 22.2 mm or 25.4 mm. Check which side of the reversible flange fits the arbor hole in the cutting disc. The reversible flange must center the cutting disc.

- Place the diamond cutting disc on the reversible flange.
- Fit the 60 mm diameter clamping flange and the clamping nut.
- Press the arbor lockbutton and hold it in this position.
- Use the wrench to tighten the clamping nut securely and then release the arbor lockbutton.
- Check to ensure that the arbor lockbutton has disengaged and that the arbor is again free to rotate.

5.3 Fitting a synthetic resin-bonded fiber-reinforced cutting disc

- | | |
|---|-----------------------------|
| ① M16 × 1.5 clamping nut | ④ Ø 80 mm reversible flange |
| ② Ø 80 mm clamping flange | ⑤ Arbor |
| ③ Synthetic resin-bonded, fiber-reinforced cutting disc | |

- Observe the instructions concerning correct selection of suitable cutting discs → page 9.
- Disconnect the mains plug from the power outlet.
- Clean the clamping flange and the clamping nut.
- Fit the 80 mm diameter reversible flange onto the arbor the right way round, so that it is no longer free to rotate.



The 80 mm diameter reversible flange is used for mounting cutting discs with an arbor hole size of 22.2 mm or 25.4 mm. Check which side of the reversible flange fits the arbor hole in the cutting disc. The reversible flange must center the cutting disc.

- Place the diamond cutting disc on the reversible flange.
- Fit the 80 mm diameter clamping flange and the clamping nut.
- Press the arbor lockbutton and hold it in this position.
- Use the wrench to tighten the clamping nut securely and then release the arbor lockbutton.
- Check to ensure that the arbor lockbutton has disengaged and that the arbor is again free to rotate.

5.4 Removing the cutting disc

- Check that the supply cord has been unplugged from the power outlet.
- If the following conditions are met, also take this action:

Conditions: The depth gauge (accessory) is fitted.

- ▶ Remove the depth gauge. → page 12

CAUTION

Risk of breakage and irreparable damage. If the spindle lockbutton is pressed while the spindle is rotating, this may cause the disc to work loose or detach from the power tool.

- ▶ Press the spindle lockbutton only when the spindle has stopped rotating.

- Press and hold down the arbor lockbutton.
- Use the hex key to slacken the clamping nut.
- Remove the clamping nut, the clamping flange, the cutting disc and the reversible flange from the arbor, one after the other.

5.5 Fitting the depth gauge (optional)

- | | |
|----------------------------------|-----------------------|
| ① Hook | ④ Cutting depth scale |
| ② Hood extension | ⑤ Stop |
| ③ Cutting depth indicator slider | |

ATTENTION

Risk of damage. The depth gauge (accessory) will be damaged by flying sparks.

- ▶ Do not fit the depth gauge when you wish to use the power tool for working on metal.

1. Disconnect the supply cord plug from the power outlet.
2. Place the hook over the guide wheel axle.
3. Pivot the hood extension into the hood until the catch is heard to engage.

5.6 Removing the depth gauge

1. Disconnect the mains plug from the power outlet.
2. Press the catch and pivot the hood extension away from the hood.

5.7 Setting the cutting depth on the depth gauge

Conditions: The depth gauge (accessory) is fitted.

1. Press the cutting depth indicator slider and move the slider until the mark is at the desired cutting depth.
2. Release the cutting depth indicator slider.

5.8 Adjusting the guard

1. Unplug the supply cord from the power outlet.
2. Use the hex key to slacken the clamping screw.
3. Rotate the guard into the desired position.
4. Use the hex key to tighten the clamping screw.

5.9 Connecting the water supply

DCH 300-X

1. Connect a water hose to a water supply pipe.



The maximum permitted water supply pressure is 3 bar.

2. Close the water regulator valve to shut off the water supply to the cutter.
3. Connect the water hose to the water supply connector (proprietary system).



Regularly check hoses for damage and make sure that the maximum permissible water supply pressure of 3 bar is not exceeded.

5.10 Adjusting the water flow rate

DCH 300-X

- ▶ Turn the water regulator valve until the desired water flow rate is set.

5.11 Disconnecting the water supply

DCH 300-X

1. Shut off the water supply to the cutter.
2. Disengage the coupling (proprietary system) of the hose providing the water supply to the cutter.

5.12 Switching on the cutter

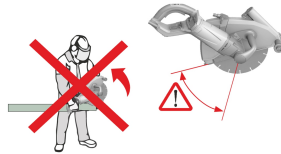
1. Plug the supply cord into the power outlet.
2. DCH 300-X: Press the **ON** button on the PRCD.
3. Hold the tool firmly with both hands, using the front and rear grips.
4. Press the switch-on safety lock.
 - ◀ The on/off switch is unlocked.
5. Press the on/off switch.
 - ◀ The cutting disc begins to rotate.
6. Release the switch-on safety lock and reposition your thumb firmly round the rear grip.



5.13 Working safely with the cutter

Conditions: Working on mineral materials

There is a risk of kickback if the cutting disc comes into contact with the working surface in the area indicated.



- ▶ Avoid bringing the cutting disc into contact with the working surface in the area indicated.
- ▶ Always bring the guide wheels into contact with the working surface / workpiece before starting the cut.
- ▶ Allow the power tool to reach full speed before beginning cutting.
- ▶ Apply pressure to the power tool so that the cutting disc is pressed into the material slowly.
- ▶ Apply moderate pressure, adjusting the rate of advance to suit the material being cut.

i A decrease in the rate of cutting progress may be an indication of blunt/dull (“polished”) diamond segments. The diamond segments can be resharpened by making a few cuts in an abrasive material (**Hilti** sharpening plate or sand-lime block).

- ▶ Guide the power tool smoothly and do not apply lateral pressure to the cutting disc.

The diamond disc may overheat and suffer damage when cutting very hard mineral materials, e.g. concrete with a high hard pebble content. A trail of sparks right round the circumference of the diamond cutting disc is a sure indication of this.

- ▶ Should this occur, stop cutting and cool the diamond cutting disc by allowing the power tool to run under no load.

Dust can be kept to a minimum when working by using a suitable vacuum cleaner. Use of a vacuum cleaner also helps to cool the segments on the disc and thus reduces segment wear.

- ▶ The vacuum cleaner should be equipped with an antistatic suction hose in order to avoid electrostatic effects.

5.14 Switching the cutter off

- ▶ Release the on/off switch.
 - ◄ The motor is switched off, the cutting disc slows and stops.
 - ◄ The switch-on safety lock is re-activated.

6 Care and maintenance

WARNING

Danger of electric shock! Carrying out care and maintenance while the supply cord is connected to the power outlet presents a risk of serious injuries including burns.

- ▶ Always unplug the supply cord before carrying out all care and maintenance tasks.

Care

- ▶ Keep the product, especially its grip surfaces, clean and free from oil and grease.
- ▶ Do not use cleaning agents containing silicone.
- ▶ Never operate the product with the air vents blocked. Clean the air vents carefully using a dry brush. Do not use a sprayer, steam pressure cleaning equipment or running water for cleaning. This can endanger the electrical safety of the power tool.
- ▶ Do not permit foreign matter to penetrate inside the product.
- ▶ Clean the outside of the power tool at regular intervals with a slightly damp cloth.

Under extreme conditions, when the power tool is used on metal conductive dust can accumulate in the interior. This can impair the power tool's protective insulation.

- ▶ In cases of this nature, if possible use a stationary dust extraction system and clean the air vents at frequent intervals.

- ▶ In these cases, connect a portable residual current device (PRCD) between the power tool and the power source.

Maintenance

WARNING

Danger of electric shock! Improper repairs to electrical components may lead to serious injuries including burns.

- ▶ Repairs to the electrical section of the tool or appliance may be carried out only by trained electrical specialists.
- ▶ Regularly check all external parts of the power tool and the accessories for signs of damage and make sure that all the controls function correctly.
- ▶ Do not use the power tool if parts are damaged or if the controls do not function correctly. Have the power tool repaired by **Hilti Service**.

7 Transport and storage

WARNING

Fire hazard. Hot parts of the machine could ignite material lying about in the surrounding area.

- ▶ Allow the product to cool down completely before packing it away or loading it into a vehicle..

CAUTION

Risk of damage. The cutting disc may suffer damage if the power tool is transported with the disc fitted.

- ▶ Remove the cutting disc before transporting the tool.
- ▶ Remove the cutting disc. → page 11
- ▶ Store the cutting discs in accordance with the manufacturer’s recommendations.

8 Troubleshooting

If the trouble you are experiencing isn’t listed in this table or you are unable to remedy the problem by yourself, please contact **Hilti Service**.

Trouble or fault	Possible cause	Action to be taken
The power tool doesn’t start or switches itself off.	Interruption in the electric supply.	▶ Check the electric supply by connecting a different appliance.
	The portable residual current device (PRCD) has tripped because of water ingress into the power tool.	▶ Leave the power tool in a warm, dry place until it has thoroughly dried. ▶ Check the portable residual current device. → page 10
	The supply cord or plug is defective.	▶ Have the supply cord and plug checked by a trained electrical specialist and replaced if necessary.
	The on / off switch is defective.	▶ Have the power tool repaired by Hilti Service .
	The power tool has been overloaded (overload protection activated / application limits exceeded).	▶ Release the on/off switch and then press it again. ▶ Select a suitable power tool for the application.
	The overheating protection system is active.	▶ Allow the power tool to cool down and clean the air vents.
	The restart interlock is active after disconnection or an interruption in the electric supply.	▶ Switch the power tool off and then on again.

Trouble or fault	Possible cause	Action to be taken
The service indicator blinks. The power tool doesn't start.	The power tool is faulty.	► Have the power tool repaired by Hilti Service .
The service indicator lights. The power tool doesn't start.	The carbon brushes are worn.	► Have the carbon brushes checked by a trained electrical specialist and replaced if necessary.
The tool doesn't achieve full power.	The extension cord conductor cross section is too small.	► Use an extension cord with conductors of adequate cross section.

9 Disposal

Most of the materials from which **Hilti** products are manufactured can be recycled. The materials must be correctly separated before they can be recycled. In many countries, your old tools, machines or appliances can be returned to **Hilti** for recycling. Ask **Hilti Service** or your Hilti representative for further information.

Cutting slurry

The disposal of cutting slurry directly into rivers, lakes or the sewerage system without suitable pretreatment presents problems of an environmental nature.

- Ask the local public authorities for information about current regulations.

We recommend the following pretreatment:

- Collect the cutting slurry (for example, using a wet-type vacuum cleaner).
- Allow the slurry to stand for some time or add a flocculation agent to help the fine particles in the cutting slurry settle and separate from the water.
- Dispose of this solid portion of the waste at a construction waste disposal location.
- Neutralize the remaining water from the cutting slurry (alkaline, pH-value > 7) by adding an acidic neutralizing agent or dilute it by adding a large quantity of water before allowing it to enter the sewerage system.

10 Manufacturer's warranty

- Please contact your local **Hilti** representative if you have questions about the warranty conditions.

1 Indications relatives à la documentation

1.1 À propos de cette documentation

- Lire intégralement la présente documentation avant la mise en service. C'est la condition préalablement requise pour assurer la sécurité du travail et un maniement sans perturbations.
- Bien respecter les consignes de sécurité et les avertissements de la présente documentation ainsi que celles figurant sur le produit.
- Toujours conserver le mode d'emploi à proximité du produit et uniquement le transmettre à des tiers avec ce mode d'emploi.

1.2 Explication des symboles

1.2.1 Avertissements

Les avertissements attirent l'attention sur des dangers liés à l'utilisation du produit. Les termes de signalisation suivants sont utilisés :

DANGER

DANGER !

- ▶ Pour un danger imminent qui peut entraîner de graves blessures corporelles ou la mort.

AVERTISSEMENT

AVERTISSEMENT !

- ▶ Pour un danger potentiel qui peut entraîner de graves blessures corporelles ou la mort.

ATTENTION

ATTENTION !

- ▶ Pour attirer l'attention sur une situation pouvant présenter des dangers entraînant des blessures corporelles légères ou des dégâts matériels.

1.2.2 Symboles dans la documentation

Les symboles suivants sont utilisés dans la présente documentation :

	Lire le mode d'emploi avant d'utiliser l'appareil
	Pour des conseils d'utilisation et autres informations utiles
	Maniement des matériaux recyclables
	Ne pas jeter les appareils électriques et les accus dans les ordures ménagères

1.2.3 Symboles dans les illustrations

Les symboles suivants sont utilisés dans les illustrations :

	Ces chiffres renvoient à l'illustration correspondante au début du présent mode d'emploi
	La numérotation détermine la séquence des étapes de travail dans l'image et peut se différencier de celles des étapes de travail dans le texte
	Les numéros de position sont utilisés dans l'illustration Vue d'ensemble et renvoient aux numéros des légendes dans la section Vue d'ensemble du produit
	Ce signe doit inviter à manier le produit en faisant particulièrement attention.
	Transmission de données sans fil



1.3 Symboles spécifiques au produit

1.3.1 Symboles sur le produit

Les symboles suivants sont utilisés sur le produit :

	Classe de protection II (double isolation)
	Diamètre
n	Vitesse de rotation de référence
/min	Tours par minute
	Courant alternatif
	Communication sans fil
	Porter des lunettes de protection

1.4 Informations produit

Les produits **Hilti** sont conçus pour les utilisateurs professionnels et ne doivent être utilisés, entretenus et réparés que par un personnel agréé et formé à cet effet. Ce personnel doit être au courant des dangers inhérents à l'utilisation de l'appareil. Le produit et ses accessoires peuvent s'avérer dangereux s'ils sont utilisés de manière incorrecte par un personnel non qualifié ou de manière non conforme à l'usage prévu. La désignation du modèle et le numéro de série figurent sur sa plaque signalétique.

- Inscrivez le numéro de série dans le tableau suivant. Les informations produit vous seront demandées lorsque vous contactez nos revendeurs ou services après-vente.

Caractéristiques produit

Tronçonneuse à disque diamanté	DCH 300 DCH 300-X
Génération	01
N° de série	

1.5 Déclaration de conformité

Nous déclarons sous notre seule et unique responsabilité que le produit décrit ici est conforme aux directives et normes en vigueur. Une copie de l'attestation délivrée par l'organisme de certification se trouve en fin de la présente documentation.

Pour obtenir les documentations techniques, s'adresser à :

Hilti Entwicklungsgesellschaft mbH | Zulassung Geräte | Hiltistraße 6 | 86916 Kaufering, DE

2 Sécurité

2.1 Indications générales de sécurité pour les outils électriques

⚠️ AVERTISSEMENT Lire et comprendre toutes les consignes de sécurité et instructions. Tout manquement à l'observation des consignes de sécurité et instructions risque de provoquer une électrocution, un incendie et/ou de graves blessures.

Les consignes de sécurité et instructions doivent être intégralement conservées pour les utilisations futures.

La notion d'« outil électroportatif » mentionnée dans les consignes de sécurité se rapporte à des outils électriques raccordés au secteur (avec câble de raccordement) et à des outils électriques sur accu (sans câble de raccordement).

Sécurité sur le lieu de travail

- **Conserv**er la zone de travail propre et bien éclairée. Un lieu de travail en désordre ou mal éclairé augmente le risque d'accidents.
- **Ne pas faire fonctionner les outils électriques en atmosphère explosive et où se trouvent des liquides, des gaz ou poussières inflammables.** Les outils électriques produisent des étincelles qui peuvent enflammer les poussières ou les fumées.

- ▶ **Maintenir les enfants et les personnes présentes à l'écart pendant l'utilisation de l'outil électroportatif.** En cas d'inattention il y a risque de perdre le contrôle de l'appareil.

Sécurité relative au système électrique

- ▶ **La fiche de secteur de l'outil électroportatif doit être adaptée à la prise de courant. Ne jamais modifier la fiche de quelque façon que ce soit. Ne pas utiliser d'adaptateurs avec des outils électriques à branchement de terre.** Des fiches non modifiées et des prises de courant adaptées réduiront le risque de choc électrique.
- ▶ **Éviter le contact physique avec des surfaces mises à la terre tels que tuyaux, radiateurs, cuisinières et réfrigérateurs.** Il y a un risque élevé de choc électrique au cas où votre corps serait relié à la terre.
- ▶ **Ne pas exposer les outils électroportatifs à la pluie ou à l'humidité.** La pénétration d'eau à l'intérieur d'un outil électroportatif augmentera le risque d'un choc électrique.
- ▶ **Ne jamais utiliser le cordon à d'autres fins que celles prévues, telles que pour porter, accrocher ou débrancher l'outil électroportatif de la prise de courant. Maintenir le cordon à l'écart de la chaleur, des parties grasses, des bords tranchants ou des parties de l'appareil en mouvement.** Des cordons endommagés ou emmêlés augmentent le risque de choc électrique.
- ▶ **Si l'outil électroportatif est utilisé à l'extérieur, utiliser uniquement une rallonge homologuée pour les applications extérieures.** L'utilisation d'une rallonge électrique homologuée pour les applications extérieures diminue le risque d'un choc électrique.
- ▶ **Si l'utilisation de l'outil électrique dans un environnement humide ne peut pas être évitée, utiliser un interrupteur de protection contre les courants de court-circuit.** L'utilisation d'un tel interrupteur de protection réduit le risque d'une décharge électrique.

Sécurité des personnes

- ▶ **Rester vigilant, surveiller ce que l'on fait. Faire preuve de bon sens en utilisant l'outil électroportatif. Ne pas utiliser l'outil électroportatif si vous êtes fatigué ou sous l'emprise de l'alcool, de drogues ou de médicaments.** Un moment d'inattention lors de l'utilisation de l'outil électroportatif peut entraîner des blessures graves.
- ▶ **Utiliser un équipement de sécurité et toujours porter une protection pour les yeux.** Les équipements de protection personnels tels que masque antipoussière, chaussures de sécurité antidérapantes, casque de protection ou protection acoustique suivant l'utilisation de l'outil électroportatif, réduiront le risque de blessures des personnes.
- ▶ **Éviter une mise en service par mégarde. S'assurer que l'outil électroportatif est arrêté avant de le brancher à la source de courant et/ou à l'accu, de le prendre ou de le porter.** Le fait de porter l'outil électroportatif avec le doigt sur l'interrupteur ou de brancher l'appareil sur la source de courant lorsque l'interrupteur est en position de fonctionnement peut entraîner des accidents.
- ▶ **Retirer tout outil de réglage ou toute clé avant de mettre l'outil électroportatif en fonctionnement.** Une clé ou un outil se trouvant sur une partie en rotation peut causer des blessures.
- ▶ **Adopter une bonne posture. Veiller à toujours garder une position stable et équilibrée.** Cela permet un meilleur contrôle de l'outil électroportatif dans des situations inattendues.
- ▶ **S'habiller de manière adaptée. Ne pas porter de vêtements amples ni de bijoux. Garder les cheveux, les vêtements et les gants à distance des parties en mouvement.** Des vêtements amples, des bijoux ou des cheveux longs peuvent être happés par des parties en mouvement.
- ▶ **Si des dispositifs servant à aspirer ou à recueillir les poussières doivent être utilisés, s'assurer qu'ils sont effectivement raccordés et correctement utilisés.** L'utilisation d'un dispositif d'aspiration de la poussière peut réduire les risques dus aux poussières.

Utilisation et maniement de l'outil électroportatif

- ▶ **Ne pas forcer l'appareil. Utiliser l'outil électroportatif adapté au travail à effectuer.** Un outil électroportatif approprié réalisera mieux le travail et de manière plus sûre au régime pour lequel il a été conçu.
- ▶ **Ne pas utiliser d'outil électroportatif dont l'interrupteur est défectueux.** Tout outil électroportatif qui ne peut plus être mis en ou hors fonctionnement est dangereux et doit être réparé.
- ▶ **Débrancher la fiche de la prise de courant et/ou l'accu avant d'effectuer des réglages sur l'appareil, de changer les accessoires, ou de ranger l'appareil.** Cette mesure de précaution empêche une mise en fonctionnement par mégarde de l'outil électroportatif.
- ▶ **Conserver les outils électroportatifs non utilisés hors de portée des enfants. Ne pas permettre l'utilisation de l'appareil à des personnes qui ne se sont pas familiarisées avec celui-ci ou qui n'ont pas lu ces instructions.** Les outils électroportatifs sont dangereux lorsqu'ils sont entre les mains de personnes non initiées.
- ▶ **Prendre soin des outils électroportatifs. Vérifier que les parties en mouvement fonctionnent correctement et qu'elles ne sont pas coincées, et contrôler si des parties sont cassées ou endommagées de sorte que le bon fonctionnement de l'outil électroportatif s'en trouve entravé.**



Faire réparer les parties endommagées avant d'utiliser l'appareil. De nombreux accidents sont dus à des outils électroportatifs mal entretenus.

- ▶ **Garder les outils de coupe affûtés et propres.** Des outils destinés à couper correctement entretenus avec des bords tranchants bien aiguisés se coincent moins souvent et peuvent être guidés plus facilement.
- ▶ **L'outil électroportatif, les accessoires, les outils amovibles, etc. doivent être utilisés conformément à ces instructions. Tenir également compte des conditions de travail et du travail à réaliser.** L'utilisation des outils électroportatifs à d'autres fins que celles prévues peut entraîner des situations dangereuses.

Service

- ▶ **L'outil électroportatif doit uniquement être réparé par un personnel qualifié, utilisant exclusivement des pièces de rechange d'origine.** Ceci permet d'assurer la sécurité de l'outil électroportatif.

2.2 Consignes de sécurité pour les tronçonneuses à disque abrasif

- ▶ **Le carter de protection faisant partie intégrante de l'outil électroportatif doit être solidement fixé et réglé de manière à atteindre la sécurité maximale, c.-à-d. que la plus petite partie possible de la meule doit être ouverte en direction de l'utilisateur. L'utilisateur et les personnes se trouvant à proximité doivent se tenir en dehors du plan du disque à meuler rotatif.** Le carter de protection doit protéger l'utilisateur des éclats et d'un contact accidentel avec la meule.
- ▶ **Utiliser exclusivement des disques à tronçonner composites renforcés ou disques à tronçonner diamant pour votre outil électroportatif.** Le simple fait de pouvoir fixer l'accessoire sur l'outil électroportatif ne garantit pas une utilisation sûre.
- ▶ **La vitesse admissible de l'outil amovible doit au moins être égale à la vitesse supérieure indiquée sur l'outil électroportatif.** Les accessoires dont la vitesse de rotation est supérieure à celle admissible risquent de se briser ou de voler.
- ▶ **Les disques doivent uniquement être utilisés pour les possibilités d'applications recommandées. Par exemple : Ne jamais meuler avec la surface latérale d'un disque à tronçonner.** Les disques à tronçonner sont prévus pour attaquer le matériau avec l'arête du disque. Une action latérale sur ces disques risque de les casser.
- ▶ **Toujours utiliser des brides de serrage en parfait état, de dimensions et de forme adaptées au disque à meuler choisi.** Des brides adaptées soutiennent le disque et réduisent le risque de cassure du disque à meuler.
- ▶ **Ne pas utiliser de disques à meuler usés provenant d'outils électroportatifs plus grands.** Les disques à meuler destinés aux outils électroportatifs plus grands ne sont pas dimensionnés pour les vitesses supérieures des outils électroportatifs plus petits et risquent de se casser.
- ▶ **Le diamètre extérieur et l'épaisseur de l'outil amovible doivent correspondre aux cotes de l'outil électroportatif.** Des outils amovibles mal dimensionnés peuvent ne pas être suffisamment protégés ou contrôlés.
- ▶ **Les disques à meuler et les flasques doivent exactement s'adapter sur la broche de meulage de l'outil électroportatif.** Les accessoires qui ne s'adaptent pas exactement sur la broche de meulage de l'outil électroportatif ne tournent pas de manière uniforme, vibrent fortement et risquent d'entraîner une perte de contrôle.
- ▶ **Ne pas utiliser de disques à meuler endommagés. Avant chaque utilisation, vérifier que les disques à meuler ne sont ni écaillés ni fendus. En cas de chute de l'outil électroportatif ou du disque à meuler, vérifier qu'il n'est pas endommagé et, le cas échéant, utiliser un disque à meuler non endommagé. Une fois le disque à meuler contrôlé et monté, l'utilisateur ainsi que les personnes se trouvant à proximité doivent se tenir en dehors du plan du disque à meuler en rotation. Veiller à laisser tourner l'appareil pendant une minute à la vitesse de rotation maximale. C'est lors de cette période de test que les disques à meuler endommagés se cassent le plus souvent.**
- ▶ **Porter des équipements de protection individuelle. Utiliser, selon l'application, une protection du visage, une protection des yeux ou des lunettes de protection. Dans la mesure où ces équipements sont appropriés, porter un masque anti-poussière, un casque antibruit, des gants de protection ou un tablier spécial qui permettent de maintenir à distance les particules de matériau et de meulage.** Les yeux devraient être protégés contre les corps étrangers en suspension dans l'air, produits par diverses applications. Les masques anti-poussière ou respiratoire doivent filtrer la poussière résultant de l'utilisation. En cas d'exposition prolongée à un bruit important, il y a risque de perte d'audition.
- ▶ **Veiller à ce que les autres personnes se tiennent à une distance de sécurité de l'espace de travail. Toute personne accédant à l'espace de travail doit porter des équipements de protection individuelle.** Des éclats de la pièce travaillée ou des outils amovibles cassés risquent d'être projetés en l'air et de provoquer des blessures même à l'extérieur de l'espace de travail direct.



- ▶ **Tenir l'appareil seulement par les surfaces isolées des poignées lors des travaux pendant lesquels l'accessoire risque de toucher des câbles électriques cachés ou son propre câble d'alimentation réseau.** Le contact avec un câble sous tension risque aussi de mettre les parties métalliques de l'appareil sous tension et de provoquer une décharge électrique.
- ▶ **Tenir le câble d'alimentation réseau éloigné des outils amovibles rotatifs.** En cas de perte de contrôle de l'appareil, le câble d'alimentation réseau peut être sectionné ou intercepté, et la main ou le bras de l'utilisateur risque de toucher l'outil amovible rotatif.
- ▶ **Ne jamais poser l'outil électroportatif avant que l'outil amovible soit complètement arrêté.** L'outil amovible rotatif peut entrer en contact avec la surface sur laquelle l'outil électroportatif est posé, risquant d'entraîner ainsi une perte de contrôle de l'outil électroportatif.
- ▶ **Ne pas laisser l'outil électroportatif tourner en le portant.** Les vêtements risquent d'être happés par un contact accidentel avec l'accessoire rotatif et l'outil électroportatif risque de perforer le corps de l'utilisateur.
- ▶ **Nettoyer régulièrement les fentes de ventilation de l'outil électroportatif.** Le ventilateur du moteur attire la poussière dans le carter, et une forte accumulation de poussière métallique peut représenter des dangers électriques.
- ▶ **Ne pas utiliser l'outil électroportatif à proximité de matériaux inflammables.** Des étincelles risquent d'enflammer ces matériaux.
- ▶ **Ne pas utiliser d'outils amovibles qui requièrent l'utilisation de réfrigérants liquides.** L'utilisation d'eau ou d'autres réfrigérants liquides risque de provoquer une décharge électrique.

Contrecoup et indications de sécurité correspondantes

Le contrecoup est une réaction soudaine qui se produit lorsqu'un disque à meuler en rotation reste accroché ou se bloque. Dans le cas d'un blocage ou d'un accrochage, l'outil en rotation s'arrête brusquement. De ce fait, un outil électroportatif incontrôlé est accéléré, à l'endroit du blocage, dans le sens de rotation opposé à celui de l'accessoire.

Si par ex. un disque à meuler reste accroché ou se bloque dans la pièce travaillée, l'arête du disque à meuler plongée dans la pièce peut rester accrochée et provoquer l'éclatement du disque à meuler ou un contrecoup. Le disque à meuler se déplace ensuite vers l'utilisateur ou s'éloigne de lui, selon le sens de rotation du disque à l'endroit du blocage. Ici aussi les disques à meuler risquent de se casser.

Un contrecoup est la conséquence d'une mauvaise utilisation ou d'une utilisation incorrecte de l'outil électroportatif. Il peut être évité en prenant les mesures de précaution adaptées telles que décrites ci-dessous.

- ▶ **Bien tenir l'outil électroportatif, et garder le corps et les bras dans une position permettant d'amortir les forces de contrecoup.** Toujours utiliser la poignée supplémentaire, si celle-ci est présente, afin d'avoir le meilleur contrôle possible sur les forces de contrecoup ou les couples antagonistes lors de l'accélération à pleine vitesse. L'utilisateur peut maîtriser les forces de contrecoup et antagonistes en prenant les précautions appropriées.
- ▶ **Ne jamais approcher la main des outils amovibles rotatifs.** En cas de contrecoup, l'outil amovible risque d'aller sur la main de l'utilisateur.
- ▶ **Éviter la zone devant et derrière le disque à tronçonner rotatif.** Le contrecoup entraîne l'outil électroportatif dans le sens opposé au déplacement du disque à l'endroit du blocage.
- ▶ **Travailler avec une extrême prudence dans les coins, arêtes vives, etc. Éviter que les outils amovibles rebondissent sur la pièce à travailler et se coincent.** L'outil amovible rotatif a tendance à se coincer dans les coins, sur les arêtes vives ou lorsqu'il rebondit. Ceci entraîne une perte de contrôle ou un contrecoup.
- ▶ **Ne pas utiliser de lames de scie à chaîne ou dentées, tout comme ne pas utiliser de disques diamants segmentés présentant des fentes supérieures à 10 mm.** De tels outils amovibles entraînent souvent un contrecoup ou la perte de contrôle de l'outil électroportatif.
- ▶ **Éviter de bloquer le disque à tronçonner et de le soumettre à une pression trop forte. Ne pas effectuer de coupes de profondeur excessive.** Une surcharge du disque à tronçonner augmente sa sollicitation et la probabilité de pliage ou blocage, et par conséquent l'éventualité d'un contrecoup ou de cassure du disque.
- ▶ **Si le disque à tronçonner se coince ou que le travail est interrompu, débrancher l'appareil et attendre tranquillement jusqu'à ce que le disque s'arrête. Ne jamais essayer de sortir le disque à tronçonner encore en rotation de la coupe, sans quoi un contrecoup risque de se produire.** Déterminer et résoudre la cause du coincement.
- ▶ **Ne jamais remettre l'outil électroportatif en marche tant qu'il se trouve dans la pièce à travailler. Attendre que le disque à tronçonner atteigne la pleine vitesse avant de poursuivre prudemment la coupe.** Dans le cas contraire, le disque risque de s'accrocher, de sauter de la pièce ou d'entraîner un contrecoup.
- ▶ **Soutenir les panneaux ou grandes pièces à travailler afin de réduire le risque d'un contrecoup causé par un disque à tronçonner coincé.** De grandes pièces à travailler peuvent se courber sous



leur propre poids. La pièce à travailler doit être soutenue des deux côtés du disque et ce, aussi bien à proximité de la coupe que sur l'arête.

- ▶ **Procéder avec une extrême prudence en cas de « coupes en plongée » dans les murs existants ou autres zones imprévisibles.** Le disque à tronçonner plongeant risque de sectionner des conduites d'eau ou de gaz, des câbles ou gaines électriques, ou d'autres objets, et de causer un contrecoup.

2.3 Consignes de sécurité supplémentaires

Sécurité des personnes

- ▶ Pendant le travail, toujours tenir le câble d'alimentation réseau et de rallonge à l'arrière de l'appareil. Ceci permet d'éviter tout risque de chute en trébuchant sur le câble pendant le travail.
- ▶ Lors de travaux d'ajourage, protéger l'espace du côté opposé aux travaux. Des morceaux de matériaux risquent d'être éjectés et / ou de tomber, et de blesser d'autres personnes.
- ▶ Utiliser le produit uniquement s'il est en parfait état.
- ▶ Ne jamais entreprendre de manipulation ni de modification sur l'appareil.
- ▶ Porter des gants de protection, en particulier pour le changement de disque, le réglage du carter de protection et le montage de la butée de profondeur.
- ▶ Dans la mesure du possible, utiliser un dispositif d'aspiration des poussières ainsi qu'un dépoussiéreur mobile adéquat. Les poussières de matériaux telles que des peintures contenant du plomb, certains types de bois, du béton / de la maçonnerie / des pierres naturelles qui contiennent du quartz ainsi que des minéraux et des métaux peuvent être nuisibles à la santé.
- ▶ Avant le début du travail, prendre connaissance de la classe de risque de la poussière générée lors des travaux. Utiliser un aspirateur avec une classification de sécurité autorisée officiellement et conforme aux dispositions locales concernant les poussières.
- ▶ Veiller à ce que le poste de travail soit bien ventilé et porter, le cas échéant, un masque de protection respiratoire adapté au type de poussières. Le contact ou l'aspiration de poussière peut provoquer des réactions allergiques et/ou des maladies respiratoires de l'utilisateur ou de toute personne se trouvant à proximité. Certaines poussières, telles que des poussières de chêne ou de hêtre, sont réputées être cancérogènes, en particulier lorsqu'elles sont combinées à des additifs destinés au traitement du bois (chromate, produit de protection du bois). Les matériaux contenant de l'amiante doivent seulement être manipulés par un personnel spécialisé.
- ▶ Porter un masque respiratoire léger si l'appareil est utilisé pour le tronçonnage à sec sans dispositif d'aspiration. Fermer le volet obturateur du tuyau d'aspiration.
- ▶ Éviter de toucher des pièces en rotation – Risque de blessures ! Brancher l'appareil uniquement dans l'espace de travail.
- ▶ Faire régulièrement des pauses et des exercices de relaxation et de massage des doigts pour favoriser l'irrigation sanguine dans les doigts. En cas de travaux prolongés, les vibrations peuvent perturber la circulation dans les vaisseaux sanguins ou le système nerveux dans les doigts, les mains ou le poignet.

Sécurité relative au système électrique

- ▶ Avant d'entamer les travaux, contrôler l'espace de travail, p. ex. à l'aide d'un détecteur de métaux, afin de vérifier l'absence de câbles ou gaines électriques, conduites de gaz ou d'eau cachés. Toutes pièces métalliques extérieures de l'appareil peuvent devenir conductrices, par exemple, lorsqu'un câble électrique est endommagé par inadvertance.
- ▶ Si le câble d'alimentation réseau ou de rallonge est endommagé pendant le travail, ne pas le toucher. Débrancher la prise.
- ▶ Contrôler régulièrement les câbles de raccordement de l'appareil et les faire remplacer par un spécialiste s'ils sont endommagés.
- ▶ Contrôler régulièrement les câbles de rallonge et les remplacer s'ils sont endommagés.

Utilisation et maniement de l'outil électroportatif

- ▶ Veiller à ce que les étincelles produites en cours d'utilisation n'engendrent pas de danger. Pour ce faire, mettre le carter de protection bien en place.
- ▶ Avant de commencer à travailler, s'assurer que le disque à tronçonner est bien en place et fixé, et laisser tourner le disque à tronçonner à vide pendant 30 secondes dans un endroit sûr. Arrêter immédiatement l'appareil si d'importantes vibrations se produisent ou si d'autres défauts sont constatés. Si cela se produit, contrôler l'ensemble du système pour en déterminer la cause.
- ▶ Ne pas utiliser l'appareil s'il démarre difficilement ou par à-coups. Il se peut alors qu'il y ait un défaut électronique. Faire réparer l'appareil par le S.A.V. **Hilti**.
- ▶ Fermer le volet obturateur du tuyau d'aspiration pour tronçonner sur un matériau métallique.

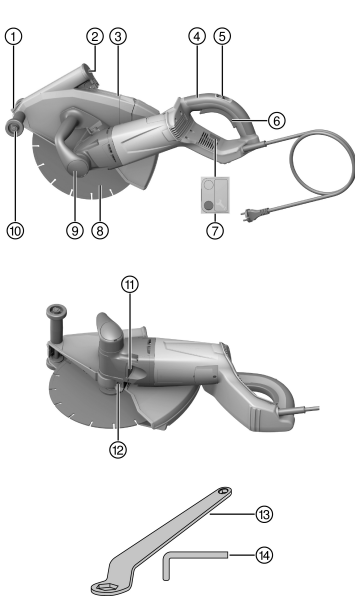
Les fentes dans des murs et autres structures porteurs sont susceptibles de modifier la statique de la construction, en particulier lors d'interventions sur des armatures métalliques ou des éléments porteurs.

- ▶ Avant de commencer le travail, consulter le staticien, l'architecte ou le chef de chantier compétent.
- ▶ Guider attentivement l'appareil et procéder à des coupes droites pour ne pas coincer l'outil. Les coupes curvilignes sont déconseillées.
- ▶ Guider régulièrement l'appareil et sans exercer de pression latérale sur le disque à tronçonner. Toujours poser l'outil en angle droit sur la pièce travaillée. Lors du tronçonnage, ne pas modifier le sens de coupe en exerçant une pression latérale ni en pliant le disque à tronçonner. Sans quoi le disque à tronçonner pourrait être endommagé et se casser.
- ▶ Ne jamais utiliser l'appareil sans carter de protection.

3 Description

3.1 Vue d'ensemble du produit 1

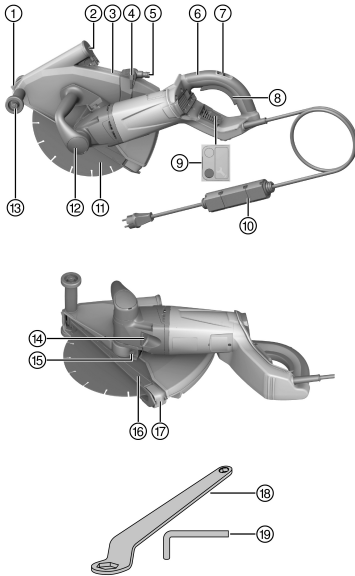
DCH 300



- ① Indicateur de coupe
- ② Couvercle du tuyau d'aspiration de poussière
- ③ Carter de protection
- ④ Poignée arrière
- ⑤ Dispositif de blocage de l'interrupteur
- ⑥ Interrupteur Marche / Arrêt
- ⑦ Indicateur de maintenance
- ⑧ Disque à tronçonner diamanté
- ⑨ Poignée avant
- ⑩ Galet de guidage
- ⑪ Bouton de blocage de la broche
- ⑫ Vis de serrage pour carter de protection
- ⑬ Clé de serrage SW 24/ SW 10
- ⑭ Clé pour vis à tête 6 pans creux SW 6

3.2 Vue d'ensemble du produit 2

DCH 300-X



- ① Indicateur de coupe
- ② Couverture du tuyau d'aspiration de poussière
- ③ Carter de protection
- ④ Vanne de régulation du débit d'eau
- ⑤ Raccord d'eau
- ⑥ Poignée arrière
- ⑦ Dispositif de blocage de l'interrupteur
- ⑧ Interrupteur Marche / Arrêt
- ⑨ Indicateur de maintenance
- ⑩ Disjoncteur différentiel (PRCD)
- ⑪ Disque à trancher diamanté
- ⑫ Poignée avant
- ⑬ Galet de guidage
- ⑭ Bouton de blocage de la broche
- ⑮ Vis de serrage pour carter de protection
- ⑯ Butée de profondeur
- ⑰ Curseur de réglage de la profondeur de coupe
- ⑱ Clé de serrage SW 24/ SW 10
- ⑲ Clé pour vis à tête 6 pans creux SW 6

3.3 Utilisation conforme à l'usage prévu

DCH 300

Le produit décrit est une tronçonneuse à disque diamanté électroportative destinée au tronçonnage à sec de matériaux d'origine minérale à l'aide de disques à tronçonner diamantés.

DCH 300-X

Le produit décrit est une tronçonneuse à disque diamanté électroportative destinée au tronçonnage de matériaux d'origine minérale à l'aide de disques à tronçonner diamantés avec et sans utilisation d'eau.

Pour le tronçonnage à sec de matériaux d'origine minérale, il est indispensable d'utiliser un système d'aspiration des poussières muni d'un filtre approprié (p. ex. aspirateur universel **Hilti** VC 300-17 X).

Pour éviter les effets électrostatiques, utiliser un système d'aspiration avec un flexible d'aspiration antistatique.

En option, le produit peut aussi être utilisé pour le tronçonnage de matériaux métalliques avec des disques à tronçonner liés à la résine sans utilisation d'eau. Un accessoire spécial (lot de flasques, diamètre 80 mm, composé d'un flasque de serrage et d'un flasque de rechange) doit impérativement être utilisé à cet effet.

Le produit doit être exclusivement utilisé en poussée (à contre-sens).

Le produit ne doit fonctionner qu'avec la tension réseau et la fréquence réseau indiquées sur la plaque signalétique.

3.4 Mauvaise utilisation possible

Le produit ne doit pas être utilisé dans des locaux présentant un risque d'explosion.

Le produit ne doit pas être utilisé pour l'ébarbage ou le meulage.

Le produit ne doit pas être utilisé pour travailler sur des matériaux susceptibles de nuire à la santé ou facilement inflammables (par ex. amiante, magnésium, bois).

Le produit ne doit pas être utilisé pour le tronçonnage à l'eau.

3.5 Régulateur électronique de limitation du courant de démarrage

Le courant de démarrage de l'appareil est un multiple du courant nominal. Du fait du régulateur électronique de limitation du courant de démarrage, le courant de démarrage est réduit de manière à éviter que le fusible du secteur ne réagisse. Ceci permet d'assurer que l'appareil démarre sans à-coups.

3.6 Blocage contre toute mise en marche intempestive

Après une éventuelle coupure de courant, la tronçonneuse à disque diamanté ne se remet pas automatiquement en marche. Il faut d'abord relâcher l'interrupteur Marche / Arrêt puis le réenfoncer après 1 seconde.

3.7 Protection électronique contre les surcharges

La tronçonneuse à disque diamanté est dotée d'une protection électronique contre les surcharges qui surveille l'intensité absorbée.

Si l'intensité absorbée du moteur devient trop élevée par ex. à cause d'une pression d'appui excessive, la protection électronique contre les surcharges coupe le moteur.

Pour remettre l'appareil en marche, relâcher l'interrupteur Marche / Arrêt puis l'actionner à nouveau.



Un processus de travail continu sans arrêt est recommandé. En réduisant la force de pression, l'utilisateur peut éviter l'arrêt du moteur.

3.8 Indicateur de maintenance

La tronçonneuse à disque diamanté est équipée d'un indicateur de maintenance avec témoin lumineux.

État	Signification
L'indicateur de maintenance s'allume en rouge.	<ul style="list-style-type: none"> La durée de fonctionnement pour une maintenance est atteinte. La tronçonneuse à disque diamanté peut encore être utilisée pendant quelques heures à compter de l'allumage de l'indicateur, jusqu'à l'arrêt automatique de l'appareil. Apporter le produit en temps voulu au S.A.V. Hilti afin d'assurer qu'il soit toujours opérationnel.
L'indicateur de maintenance clignote en rouge.	<ul style="list-style-type: none"> Le produit est défectueux. Faire réparer le produit par le S.A.V. Hilti.

3.9 Butée de profondeur



La tronçonneuse à disque diamanté DCH 300 n'est pas équipée d'emblée d'une butée de profondeur, mais celle-ci peut être montée ultérieurement (accessoire).

La profondeur de coupe maximale souhaitée peut être réglée sur la butée de profondeur à l'aide de l'échelle de profondeur de coupe. De plus, la butée de profondeur permet d'améliorer l'aspiration de poussière.

3.10 Éléments livrés

Tronçonneuse à disque diamanté avec carter, butée de profondeur (uniquement DCH 300-X), flasque de serrage Ø 41 mm, écrou de serrage M14, clé de serrage SW 24/SW 10, clé pour vis à six pans creux SW 6, mode d'emploi.

D'autres produits système autorisés pour votre produit peuvent être obtenus auprès du centre **Hilti Store** ou en ligne sous : www.hilti.group | États-Unis : www.hilti.com



4 Caractéristiques techniques

4.1 Caractéristiques de l'appareil



Les données de tension nominale, courant nominal, fréquence et consommation nominale figurent sur la plaque signalétique spécifique au pays.

En cas d'utilisation avec un groupe électrogène ou un transformateur, leur puissance d'alimentation doit être au moins égale au double de la puissance indiquée sur la plaque signalétique de l'appareil. La tension de service du groupe électrogène ou du transformateur doit être toujours comprise entre +5 % et -15 % par rapport à la tension nominale de l'appareil.

	DCH 300	DCH 300-X
Poids	20,7 lb (9,4 kg)	20,7 lb (9,4 kg)
Cotes de filetage de la broche	M16 × 1,5	M16 × 1,5
Support de disque à tronçonner	0,87 in (22,2 mm)	0,87 in (22,2 mm)
Diamètre du disque à tronçonner diamanté	12,0 in (305 mm)	12,0 in (305 mm)
Épaisseur du disque à tronçonner	≤ 0,14 in (≤ 3,5 mm)	≤ 0,14 in (≤ 3,5 mm)
Vitesse de rotation de référence	4.900 tr/min	4.900 tr/min
Couple de serrage de l'écrou de serrage (fixation de disque à tronçonner)	30 ftlb _t ... 37 ftlb _t (40 Nm ... 50 Nm)	30 ftlb _t ... 37 ftlb _t (40 Nm ... 50 Nm)

4.2 Sélection du disque à tronçonner adéquat

- Utiliser exclusivement des disques à tronçonner conformes aux spécifications correspondant à l'application envisagée.

Spécifications des disques à tronçonner

Domaine d'application	Spécifications des disques à tronçonner
Tronçonnage sur des matériaux minéraux	Disque à tronçonner diamanté en conformité avec la norme EN 13226
Travaux sur des matériaux métalliques	Disques à tronçonner diamantés et renforcés aux fibres liés à la résine en conformité avec la norme EN 12413 (forme non coudée, type 41) ¹⁾

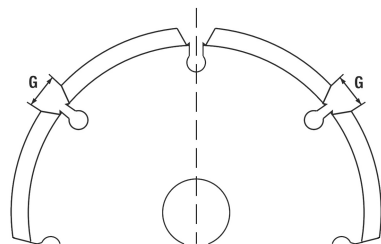
¹⁾ Le porte-outil DCH 300 ABR (accessoire) conçu spécialement à cet effet doit être utilisé pour le montage sur l'appareil.

- Observer les instructions de montage fournies par le fabricant des disques à tronçonner.

4.3 Disques à tronçonner diamantés à la géométrie adéquate

Les disques à tronçonner diamantés sont soumis aux contraintes suivantes en termes de géométrie.

Caractéristiques techniques	
Largeur de l'interstice entre les segments (G)	≤ 10 mm
Angle de coupe	négatif



5 Utilisation

5.1 Consignes générales

5.1.1 Utilisation d'un générateur ou d'un transformateur

Si les conditions suivantes sont réunies, cet appareil peut être alimenté par un générateur ou un transformateur (non fourni) :

- puissance d'alimentation (en watts) au moins égale au double de la puissance nominale de l'appareil (voir la plaque signalétique)
- tension de service toujours comprise entre +5 % et -15 % par rapport à la tension nominale
- fréquence comprise entre 50 et 60 Hz (sans jamais dépasser 65 Hz)
- présence d'un régulateur de tension automatique avec système d'amplification au démarrage.

ATTENTION

Risque d'endommagement La mise en marche ou à l'arrêt d'autres appareils simultanément raccordés au générateur / transformateur peut entraîner des pointes de sous-tension et / ou de surtension pouvant endommager la tronçonneuse.

- ▶ Ne jamais utiliser simultanément d'autres appareils avec le générateur / transformateur ou utiliser un générateur / transformateur prévu pour être utilisé avec une telle tronçonneuse et un tel système d'aspiration.

5.1.2 Utilisation de rallonges électriques

AVERTISSEMENT

Danger engendré par un câble endommagé ! Si le câble d'alimentation réseau ou de rallonge est endommagé pendant le travail, ne pas le toucher. Débrancher la prise.

- ▶ Contrôler régulièrement les câbles de raccordement de l'appareil et les faire remplacer par un spécialiste s'ils sont endommagés.
- Utiliser uniquement des rallonges homologuées pour le domaine d'utilisation concerné et de section suffisante. Sinon, une perte de puissance de l'appareil et une surchauffe du câble risquent de se produire.
- Vérifier régulièrement l'état de la rallonge électrique.
- Remplacer les rallonges électriques endommagées.
- À l'extérieur, n'utiliser que des rallonges homologuées et dotées du marquage adéquat.

Sections minimales recommandées et longueurs maximales de câbles pour une tension secteur de 120 V

Câble	AWG 16	AWG 14	AWG 12	AWG 10
Section des conducteurs	1,31 mm ²	2,08 mm ²	3,31 mm ²	5,26 mm ²
Section des conducteurs	2,58 kcmil	4,11 kcmil	6,53 kcmil	10,4 kcmil
Longueur du câble	25 m	30 m	50 m	100 m
Longueur du câble	75 ft	100 ft	150 ft	250 ft

5.1.3 Contrôle de l'interrupteur de protection contre les courants de court-circuit (PRCD)

DCH 300-X

1. Insérer la fiche d'alimentation de la tronçonneuse dans une prise terre.
2. Appuyer sur les touches **ON** sur l'interrupteur de protection contre les courants de court-circuit.
 - ◀ L'affichage s'allume.
3. Appuyer sur la touche **TEST** sur l'interrupteur de protection contre les courants de court-circuit.
 - ◀ L'affichage s'éteint.
 - ▼ L'affichage ne s'éteint pas.
 - ▶ Ne plus utiliser l'appareil. Faire réparer l'appareil par un personnel spécialisé qualifié utilisant des pièces de rechange d'origine.


5.2 Montage du disque à tronçonner diamanté

- ① Écrou de serrage M16 × 1,5
- ② Flasque de serrage Ø 60 mm
- ③ Disque à tronçonner diamanté



- ④ Flasque de rechange Ø 60 mm ⑤ Broche

1. Tenir compte des instructions en matière de sélection des disques à tronçonner adéquats → Page 25 ainsi que des prescriptions relatives à la géométrie des disques à tronçonner diamantés → Page 25.
2. Débrancher la fiche de la prise.
3. Nettoyer la bride de serrage et l'écrou de serrage.
4. Monter le flasque de rechange Ø 60 mm du bon côté sur la broche de sorte qu'il ne soit plus possible de le tourner.


 Le flasque de rechange Ø 60 mm peut être utilisé en alternative pour le tronçonnage avec un diamètre intérieur de 22,2 mm ou un diamètre intérieur de 25,4 mm. Vérifier quel côté du flasque de rechange correspond au diamètre intérieur du disque à tronçonner. Le flasque de rechange doit centrer le disque à tronçonner.

5. Monter le disque à tronçonner diamanté sur le flasque de rechange.
6. Monter le flasque de serrage Ø 60 mm et l'écrou de serrage.
7. Appuyer sur le bouton de blocage de la broche et le maintenir enfoncé.
8. Bien serrer l'écrou de serrage à l'aide de la clé de serrage et relâcher ensuite le bouton de blocage de la broche.
9. S'assurer que le bouton de blocage de la broche est débloqué et que la broche peut à nouveau tourner.

5.3 Montage des disques à tronçonner renforcés aux fibres et liés à la résine

- ① Écrou de serrage M16 × 1,5 ④ Flasque de rechange Ø 80 mm
② Flasque de serrage Ø 80 mm ⑤ Broche
③ Disques à tronçonner renforcés aux fibres
et liés à la résine

1. Tenir compte des instructions en matière de sélection des disques à tronçonner adéquats → Page 25.
2. Débrancher la fiche de la prise.
3. Nettoyer la bride de serrage et l'écrou de serrage.
4. Monter le flasque de rechange Ø 80 mm du bon côté sur la broche de sorte qu'il ne soit plus possible de le tourner.

 Le flasque de rechange Ø 80 mm peut être utilisé en alternative pour des disques à tronçonner d'un diamètre intérieur de 22,2 mm ou d'un diamètre intérieur de 25,4 mm. Vérifier quel côté du flasque de rechange correspond au diamètre intérieur du disque à tronçonner. Le flasque de rechange doit centrer le disque à tronçonner.

5. Monter le disque à tronçonner diamanté sur le flasque de rechange.
6. Placer le flasque de serrage Ø 80 mm et l'écrou de serrage.
7. Appuyer sur le bouton de blocage de la broche et le maintenir enfoncé.
8. Bien serrer l'écrou de serrage à l'aide de la clé de serrage et relâcher ensuite le bouton de blocage de la broche.
9. S'assurer que le bouton de blocage de la broche est débloqué et que la broche peut à nouveau tourner.

5.4 Démontage du disque à tronçonner

1. S'assurer que la fiche d'alimentation de la prise a été tirée de la prise.
2. Si la condition suivante est remplie, procéder de plus à cette action :

Conditions: La butée de profondeur (accessoire) est montée.

- ▶ Démonter la butée de profondeur. → Page 28

ATTENTION

Risque de cassure et de détérioration. Appuyer sur le bouton de blocage de la broche alors que la broche tourne pour détacher l'outil amovible.

- ▶ Appuyer uniquement sur le bouton de blocage de la broche lorsque la broche de meulage est immobile.
3. Appuyer sur le bouton de blocage de la broche et le maintenir enfoncé.
 4. Desserrer l'écrou de serrage à l'aide de la clé à six pans.
 5. Démonter l'écrou de serrage, le flasque de serrage, le disque à tronçonner ainsi que le flasque de rechange de la broche.

5.5 Montage de la butée de profondeur (en option) 5

- | | |
|--|--|
| ① Crochet | ④ Graduation de la profondeur de coupe |
| ② Carter pivotant | ⑤ Taquet |
| ③ Curseur de réglage de la profondeur de coupe | |



ATTENTION

Risque d'endommagement. Il y a risque d'endommager la butée de profondeur (accessoire) par émission d'étincelles.

► Ne pas monter la butée de profondeur pour travailler du métal avec l'appareil.

1. Débrancher la fiche de la prise.
2. Accrocher le crochet dans l'axe du guide-lame à rouleaux.
3. Faire pivoter le carter pivotant dans le carter de protection, jusqu'à ce que le taquet s'encliquette de manière audible.

5.6 Démontage de la butée de profondeur

1. Débrancher la fiche de la prise.
2. Appuyer sur le taquet et faire pivoter le carter pivotant hors du carter de protection.

5.7 Réglage de la profondeur de coupe sur la butée de profondeur

Conditions: La butée de profondeur (accessoire) est montée

1. Appuyer sur le curseur de réglage de la profondeur de coupe et déplacer le curseur de réglage avec le repère jusqu'à atteindre la profondeur de coupe souhaitée.
2. Relâcher le curseur de réglage de la profondeur de coupe.

5.8 Mise en place du carter de protection 6

1. Débrancher la fiche de la prise.
2. Desserrer la vis de serrage à l'aide de la clé pour vis à tête 6 pans creux.
3. Tourner le carter de protection dans la position souhaitée.
4. Resserer à fond la vis de serrage à l'aide de la clé pour vis à tête 6 pans creux.

5.9 Raccordement de l'arrivée d'eau

DCH 300-X

1. Raccorder le flexible d'eau à une conduite d'eau.



La pression d'eau dans la conduite d'eau ne doit pas dépasser les 3 bar.

2. Sur la vanne de régulation du débit d'eau, couper l'alimentation en eau vers la tronçonneuse.
3. Raccorder le flexible au raccord d'eau (système Gardena).



Contrôler régulièrement les tuyaux flexibles afin de vérifier qu'ils ne sont pas endommagés et s'assurer que la pression maximale autorisée de 3 bar n'est pas dépassée dans la conduite d'eau.

5.10 Réglage du débit d'eau

DCH 300-X

- Tourner la vanne de régulation du débit d'eau jusqu'à atteindre le débit voulu.



5.11 Coupure de l'alimentation en eau

DCH 300-X

1. Couper l'alimentation en eau vers la tronçonneuse.
2. Desserrer le manchon d'accouplement (système Gardena) du flexible d'eau sur le raccord d'eau de la tronçonneuse.

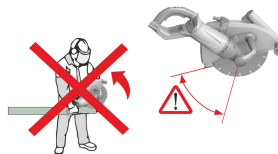
5.12 Mise en marche de la tronçonneuse

1. Brancher la fiche dans la prise.
2. Dans le cas de DCH 300-X : Appuyer sur la touche **ON** sur l'interrupteur de protection contre les courants de court-circuit.
3. Toujours tenir l'appareil des deux mains par la poignée prévue à cet effet.
4. Activer le blocage anti-démarrage.
 - ◀ L'interrupteur Marche / Arrêt est déverrouillé.
5. Appuyer sur l'interrupteur Marche / Arrêt.
 - ◀ Le disque à tronçonner commence à tourner.
6. Relâcher le dispositif de blocage anti-démarrage et saisir à nouveau la poignée arrière avec le pouce.

5.13 Travail en toute sécurité avec la tronçonneuse

Conditions: Travaux sur des matériaux minéraux

Veiller à ce que l'outil ne pénètre pas dans la zone spécifiée à cause du risque de contrecoup.



- ▶ Veiller à ce que l'outil ne pénètre pas dans la zone spécifiée.
- ▶ Toujours poser l'appareil avec les rouleaux à l'avant sur le matériau support / la pièce travaillée, avant d'entailler.
- ▶ Avant d'entailler, faire tourner l'appareil à plein régime.
- ▶ En appuyant sur l'appareil, faire rentrer doucement le disque à tronçonner dans le matériau.
- ▶ Avancer modérément l'outil, de manière adaptée au matériau à travailler.

i Une baisse des performances de travail peut provenir de l'usure des segments diamantés. Ceux-ci peuvent à nouveau être affûtés en opérant des coupes dans un matériel abrasif (surface d'affûtage **Hiti** ou un grès argilo-calcaire abrasif).

- ▶ Guider régulièrement l'appareil et sans exercer de pression latérale sur le disque à tronçonner.

Lors du tronçonnage de matériaux d'origine minérale particulièrement durs, par ex. du béton à forte teneur en graviers, le disque à tronçonner diamanté risque de surchauffer ou d'être endommagé. Une couronne d'étincelles tournant avec le disque à tronçonner diamanté est révélatrice d'un tel état.

- ▶ Dans ce cas, interrompre le tronçonnage et laisser le disque à tronçonner diamanté refroidir à vide.

L'utilisation conjointe d'un système d'aspiration approprié permet de travailler sans générer de poussières. Un tel dispositif d'aspiration permet notamment d'accroître l'efficacité du refroidissement des segments, ce qui contribue à réduire leur usure.

- ▶ Si un dispositif d'aspiration est employé, utiliser un tuyau d'aspiration antistatique pour éviter les effets électrostatiques.

5.14 Mise à l'arrêt de la tronçonneuse

- ▶ Relâcher l'interrupteur Marche / Arrêt.
 - ◀ Le moteur s'arrête, le disque à tronçonner ralentit.
 - ◀ Le dispositif de blocage est à nouveau actif.

6 Nettoyage et entretien

AVERTISSEMENT

Risque d'électrocution ! Les travaux de nettoyage et d'entretien effectués avec fiche branchée à la prise peuvent entraîner de graves blessures ou brûlures.

- ▶ Toujours retirer la fiche de la prise avant tous travaux de nettoyage et d'entretien !

Nettoyage

- ▶ Tenir le produit, en particulier les surfaces de préhension, sec, propre et exempt d'huile et de graisse.
- ▶ Ne pas utiliser de nettoyeurs à base de silicone.
- ▶ Ne jamais faire fonctionner le produit si ses ouïes d'aération sont bouchées ! Les nettoyer avec précaution au moyen d'une brosse sèche. Ne pas utiliser d'appareil diffuseur, d'appareil à jet de vapeur ou d'eau courante pour le nettoyage ! La sûreté électrique de l'appareil risque d'en être compromise.
- ▶ Éviter toute pénétration de corps étrangers à l'intérieur du produit.
- ▶ Nettoyer régulièrement l'extérieur de l'appareil avec un chiffon légèrement humide.

Dans des conditions d'utilisation extrêmes lors de travaux sur des métaux, une poussière conductrice peut se déposer à l'intérieur de l'appareil. La classe de protection de l'appareil risque alors d'être compromise.

- ▶ Il est dans ce cas recommandé d'utiliser si possible un dispositif d'aspiration stationnaire et de nettoyer régulièrement les fentes de ventilation.

DCH 300

- ▶ Dans de tels cas, activer un interrupteur de protection contre les courants de court-circuit (RCD).

Entretien

AVERTISSEMENT

Risque d'électrocution ! Des réparations inappropriées sur des composants électriques peuvent entraîner de graves blessures corporelles et brûlures.

- ▶ Toute réparation des pièces électriques ne doit être effectuée que par un électricien qualifié.
- ▶ Vérifier régulièrement toutes les pièces extérieures de l'appareil et des accessoires pour voir si elles ne sont pas abîmées et s'assurer que tous les organes de commande fonctionnent correctement.
- ▶ Ne pas utiliser l'appareil si des pièces sont abîmées ou si des organes de commande ne fonctionnent pas parfaitement. Faire réparer l'appareil par le S.A.V. Hilti.

7 Transport et entreposage

AVERTISSEMENT

Risque d'incendie. Les composants de la machine très chauds risquent d'enflammer le matériel environnant.

- ▶ Laisser le produit complètement refroidir avant de l'emballer ou de le charger dans un véhicule.

ATTENTION

Risque d'endommagement. Le disque à tronçonner risque d'être endommagé s'il est monté lors du transport.

- ▶ La tronçonneuse à disque diamanté doit être transportée sans disque à tronçonner.
- ▶ Démontez le disque à tronçonner. → Page 27
- ▶ Stocker les disques à tronçonner conformément aux recommandations du constructeur.

8 Aide au dépannage

En cas de défaillances non énumérées dans ce tableau ou auxquelles il n'est pas possible de remédier sans aide, contacter le S.A.V. Hilti.

Défaillance	Causes possibles	Solution
L'appareil ne se met pas en marche ou s'arrête tout seul.	L'alimentation secteur est coupée.	▶ Contrôler alimentation secteur avec un autre appareil électrique.



Défaillance	Causes possibles	Solution
L'appareil ne se met pas en marche ou s'arrête tout seul.	L'interrupteur de protection contre les courants de court-circuit PRCD a déclenché les entrées d'eau suivantes sur l'appareil.	<ul style="list-style-type: none"> ▶ Laisser complètement sécher l'appareil dans un endroit chaud et sec. ▶ Contrôler l'interrupteur de protection contre les courants de court-circuit. → Page 26
	Le câble d'alimentation secteur ou le connecteur est défectueux.	▶ Faire contrôler le câble d'alimentation secteur et le connecteur par un électricien et, si nécessaire, les remplacer.
	Interrupteur Marche / Arrêt défectueux.	▶ Faire réparer l'appareil par le S.A.V. Hilti .
	Charge excessive de l'appareil (protection contre les surcharges activée / limite d'emploi dépassée)	<ul style="list-style-type: none"> ▶ Relâcher l'interrupteur Marche / Arrêt et l'actionner à nouveau. ▶ Choisir l'appareil adéquat selon l'application considérée.
	La protection contre les surchauffes est active.	▶ Laisser l'appareil refroidir et nettoyer les ouïes d'aération.
	Le dispositif de verrouillage anti-démarrage électronique est activé après une coupure d'alimentation électrique.	▶ Arrêter puis remettre en marche l'appareil.
L'indicateur de maintenance clignote. L'appareil ne se met pas en marche.	L'appareil est défectueux.	▶ Faire réparer l'appareil par le S.A.V. Hilti .
L'indicateur de maintenance est allumé. L'appareil ne se met pas en marche.	Balais usés.	▶ Faire contrôler les balais de charbon par un électricien et, si nécessaire, les remplacer.
L'appareil n'atteint pas la pleine puissance.	Section du conducteur de la rallonge électrique insuffisante.	▶ Utiliser un câble de rallonge ayant une section du conducteur suffisante.

9 Recyclage

Les produits **Hilti** sont fabriqués pour une grande partie en matériaux recyclables. Le recyclage présuppose un tri adéquat des matériaux. **Hilti** reprend les appareils usagés dans de nombreux pays en vue de leur recyclage. Consulter le service clients **Hilti** ou un conseiller commercial.

Boues de troncissage

En raison de la protection de l'environnement, les boues de troncissage ne doivent pas être versées dans les cours d'eau ou les canalisations sans traitement approprié préalable.

- ▶ Veuillez vous renseigner auprès de votre administration locale sur les directives en vigueur en la matière.

Nous recommandons le prétraitement suivant :

- ▶ Collecter les boues de troncissage (par exemple au moyen d'un aspirateur de déchets liquides).
- ▶ Séparer de l'eau la poussière fine présente dans les boues de troncissage, en laissant décanter les boues ou à l'aide d'un agent flocculant.
- ▶ Éliminer la partie solide des boues de troncissage dans une décharge de gravats.
- ▶ Avant de déverser l'eau résiduelle dans les canalisations, neutraliser l'eau résiduelle (basique, pH > 7) des boues de troncissage en la diluant avec beaucoup d'eau ou en ajoutant un neutralisant acide.

10 Garantie constructeur

- ▶ En cas de questions sur les conditions de garantie, veuillez vous adresser à votre partenaire **Hilti** local.

1 Información sobre la documentación

1.1 Acerca de esta documentación

- Lea detenidamente esta documentación antes de la puesta en servicio. Ello es imprescindible para un trabajo seguro y un manejo sin problemas.
- Respete las indicaciones de seguridad y las advertencias presentes en esta documentación y en el producto.
- Conserve este manual de instrucciones siempre junto con el producto y entregue el producto a otras personas siempre acompañado del manual.

1.2 Explicación de símbolos

1.2.1 Avisos

Las advertencias de seguridad advierten de peligros derivados del manejo del producto. Se utilizan las siguientes palabras de peligro:



PELIGRO

PELIGRO !

- ▶ Término utilizado para un peligro inminente que puede ocasionar lesiones graves o incluso la muerte.



ADVERTENCIA

ADVERTENCIA !

- ▶ Término utilizado para un posible peligro que puede ocasionar lesiones graves o incluso la muerte.



PRECAUCIÓN

PRECAUCIÓN !

- ▶ Término utilizado para una posible situación peligrosa que puede ocasionar lesiones leves o daños materiales.

1.2.2 Símbolos en la documentación

En esta documentación se utilizan los siguientes símbolos:

	Leer el manual de instrucciones antes del uso
	Indicaciones de uso y demás información de interés
	Manejo con materiales reutilizables
	No tirar las herramientas eléctricas y las baterías junto con los desperdicios domésticos

1.2.3 Símbolos en las figuras

En las figuras se utilizan los siguientes símbolos:

	Estos números hacen referencia a la figura correspondiente incluida al principio de este manual
3	La numeración describe el orden de los pasos de trabajo en la imagen y puede ser diferente de los pasos descritos en el texto
	Los números de posición se utilizan en la figura Vista general y los números de la leyenda están explicados en el apartado Vista general del producto
	Preste especial atención a este símbolo cuando utilice el producto.
	Transferencia de datos inalámbrica



1.3 Símbolos de productos

1.3.1 Símbolos en el producto

En el producto se utilizan los siguientes símbolos:

	Clase de protección II (aislamiento doble)
	Diámetro
n	Velocidad nominal
/min	Revoluciones por minuto
	Corriente alterna
	Comunicación inalámbrica
	Utilizar protección para los ojos

1.4 Información del producto

Los productos Hilti han sido diseñados para usuarios profesionales y solo deben ser manejados, conservados y reparados por personal autorizado y debidamente formado. Este personal debe estar especialmente instruido en lo referente a los riesgos de uso. La utilización del producto y sus dispositivos auxiliares puede conllevar riesgos para el usuario en caso de manejarse de forma inadecuada por personal no cualificado o utilizarse para usos diferentes a los que están destinados.

La denominación del modelo y el número de serie están indicados en la placa de identificación.

- ▶ Traspase el número de serie a la siguiente tabla. Necesitará los datos del producto para realizar consultas a nuestros representantes o al Departamento de Servicio Técnico.

Información del producto

Tronzadora de diamante	DCH 300 DCH 300-X
Generación	01
N.º de serie	

1.5 Declaración de conformidad

Bajo nuestra exclusiva responsabilidad, declaramos que el producto aquí descrito cumple con las directivas y normas vigentes. Encontrará una reproducción del organismo certificador al final de esta documentación. La documentación técnica se encuentra depositada aquí:

Hilti Entwicklungsgesellschaft mbH | Zulassung Geräte | Hiltistraße 6 | 86916 Kaufering, DE

2 Seguridad

2.1 Indicaciones generales de seguridad para herramientas eléctricas

⚠ ADVERTENCIA Lea con atención todas las instrucciones e indicaciones de seguridad. Si no se tienen en cuenta las instrucciones e indicaciones de seguridad, podrían producirse descargas eléctricas, incendios o lesiones graves.

Conserve todas las instrucciones e indicaciones de seguridad para futuras consultas.

El término «herramienta eléctrica» empleado en las indicaciones de seguridad se refiere a herramientas eléctricas portátiles, ya sea con cable de red o sin cable, en caso de ser accionadas por batería.

Seguridad en el puesto de trabajo

- ▶ **Mantenga su área de trabajo limpia y bien iluminada.** El desorden o una iluminación deficiente de las zonas de trabajo pueden provocar accidentes.
- ▶ **No utilice la herramienta eléctrica en un entorno con peligro de explosión en el que se encuentren combustibles líquidos, gases o material en polvo.** Las herramientas eléctricas producen chispas que pueden llegar a inflamar los materiales en polvo o vapores.
- ▶ **Mantenga alejados a los niños y otras personas de su puesto de trabajo al emplear la herramienta eléctrica.** Una distracción le puede hacer perder el control sobre la herramienta.

Seguridad eléctrica

- ▶ **El enchufe de la herramienta eléctrica debe corresponder a la toma de corriente utilizada. No se deberá modificar el enchufe en forma alguna. No utilice enchufes adaptadores para las herramientas eléctricas con puesta a tierra.** Los enchufes sin modificar adecuados a las respectivas tomas de corriente reducen el riesgo de descarga eléctrica.
- ▶ **Evite el contacto corporal con superficies que tengan puesta a tierra, como pueden ser tubos, calefacciones, cocinas y frigoríficos.** El riesgo a quedar expuesto a una sacudida eléctrica es mayor si su cuerpo tiene contacto con tierra.
- ▶ **No exponga las herramientas eléctricas a la lluvia y evite que penetren líquidos en su interior.** El riesgo de recibir descargas eléctricas aumenta si penetra agua en la herramienta eléctrica.
- ▶ **No utilice el cable de red para transportar o colgar la herramienta eléctrica ni tire de él para extraer el enchufe de la toma de corriente. Mantenga el cable de red alejado de fuentes de calor, aceite, aristas afiladas o piezas móviles de la herramienta.** Los cables de red dañados o enredados pueden provocar descargas eléctricas.
- ▶ **Cuando trabaje al aire libre con una herramienta eléctrica, utilice exclusivamente un alargador adecuado para exteriores.** La utilización de un alargador adecuado para su uso en exteriores evita el riesgo de una descarga eléctrica.
- ▶ **Cuando no pueda evitarse el uso de la herramienta en un entorno húmedo, utilice un interruptor de corriente de defecto.** La utilización de un interruptor de corriente de defecto evita el riesgo de una descarga eléctrica.

Seguridad de las personas

- ▶ **Permanezca atento, preste atención durante el trabajo y utilice la herramienta eléctrica con prudencia. No utilice una herramienta eléctrica si está cansado, ni tampoco después de haber consumido alcohol, drogas o medicamentos.** Un momento de descuido al utilizar la herramienta eléctrica podría producir graves lesiones.
- ▶ **Utilice el equipo de protección adecuado y lleve siempre gafas protectoras.** El riesgo de lesiones se reduce considerablemente si, según el tipo y la aplicación de la herramienta eléctrica empleada, se utiliza un equipo de cubierta protectora adecuado como una mascarilla antipolvo, zapatos de seguridad con suela antideslizante, casco o protección para los oídos.
- ▶ **Evite una puesta en marcha fortuita de la herramienta. Asegúrese de que la herramienta eléctrica está apagada antes de alzarla, transportarla, conectarla a la alimentación de corriente o insertar la batería.** Si transporta la herramienta eléctrica sujetándola por el interruptor de conexión/desconexión o si introduce el enchufe en la toma de corriente con la herramienta conectada, podría producirse un accidente.
- ▶ **Retire las herramientas de ajuste o llaves fijas antes de conectar la herramienta eléctrica.** Una herramienta o llave colocada en una pieza giratoria puede producir lesiones al ponerse en funcionamiento.
- ▶ **Evite adoptar posturas forzadas. Procure que la postura sea estable y manténgase siempre en equilibrio.** De esta forma podrá controlar mejor la herramienta eléctrica en caso de presentarse una situación inesperada.
- ▶ **Utilice ropa adecuada. No utilice vestimenta amplia ni joyas. Mantenga su pelo, vestimenta y guantes alejados de las piezas móviles.** La vestimenta suelta, las joyas y el pelo largo se pueden enganchar con las piezas en movimiento.
- ▶ **Siempre que sea posible utilizar equipos de aspiración o captación de polvo, asegúrese de que están conectados y de que se utilizan correctamente.** El uso de un sistema de aspiración reduce los riesgos derivados del polvo.

Uso y manejo de la herramienta eléctrica

- ▶ **No sobrecargue la herramienta. Utilice la herramienta eléctrica adecuada para el trabajo que se dispone a realizar.** Con la herramienta eléctrica apropiada podrá trabajar mejor y de modo más seguro dentro del margen de potencia indicado.
- ▶ **No utilice herramientas eléctricas con el interruptor defectuoso.** Las herramientas eléctricas que no se puedan conectar o desconectar son peligrosas y deben repararse.
- ▶ **Extraiga el enchufe de la toma de corriente o retire la batería antes de efectuar cualquier ajuste en la herramienta, cambiar accesorios o en caso de no utilizar la herramienta durante un tiempo prolongado.** Esta medida preventiva evita el riesgo de conexión accidental de la herramienta eléctrica.
- ▶ **Guarde las herramientas eléctricas que no utilice fuera del alcance de los niños. No permita utilizar la herramienta a ninguna persona que no esté familiarizada con ella o no haya leído este manual de instrucciones.** Las herramientas eléctricas utilizadas por personas inexpertas son peligrosas.
- ▶ **Cuide su herramienta eléctrica adecuadamente. Compruebe si las piezas móviles de la herramienta funcionan correctamente y sin atascarse, y si existen piezas rotas o deterioradas que pudieran afectar al funcionamiento de la herramienta eléctrica. Encargue la reparación de las piezas**



defectuosas antes de usar la herramienta eléctrica. Muchos accidentes son consecuencia de un mantenimiento inadecuado de la herramienta eléctrica.

- ▶ **Mantenga los útiles limpios y afilados.** Las herramientas de corte bien cuidadas y con aristas afiladas se atascan menos y se guían con más facilidad.
- ▶ **Utilice la herramienta eléctrica, los accesorios, útiles, etc., de acuerdo con estas instrucciones. Para ello, tenga en cuenta las condiciones de trabajo y la tarea que se va a realizar.** El uso de herramientas eléctricas para trabajos diferentes de aquellos para los que han sido concebidas puede resultar peligroso.

Servicio Técnico

- ▶ **Solicite que un profesional lleve a cabo la reparación de su herramienta eléctrica y que utilice exclusivamente piezas de repuesto originales.** Solamente así se garantiza la seguridad de la herramienta eléctrica.

2.2 Indicaciones de seguridad para tronzadoras de muela

- ▶ **La caperuza protectora de la herramienta eléctrica debe colocarse de forma segura y ajustarse de tal manera que se asegure la máxima seguridad, es decir, que el usuario quede expuesto en el menor grado posible al cuerpo de lijado. Tanto el usuario como las personas que se encuentren a su alrededor deben mantenerse alejadas de los discos lijadores en movimiento.** El usuario debe utilizar la protección para protegerse de los fragmentos que puedan desprenderse y del contacto accidental con el cuerpo de lijado.
- ▶ **Utilice únicamente discos tronzadores sujetos y reforzados o de diamante para su herramienta eléctrica.** El simple hecho de que el accesorio encaje en su herramienta eléctrica no garantiza un uso seguro.
- ▶ **La velocidad admisible del útil de inserción debe alcanzar, como mínimo, el valor máximo indicado en la herramienta eléctrica.** Los accesorios que giren a una velocidad superior a la autorizada pueden romperse o salir despedidos.
- ▶ **Los cuerpos de lijado solamente pueden utilizarse para las aplicaciones de uso recomendadas: por ejemplo, no lije nunca con la superficie lateral de un disco tronzador.** Los discos tronzadores están diseñados para arrancar material con el borde. La acción de la fuerza lateral puede romper los cuerpos de lijado.
- ▶ **Utilice siempre bridas de apriete no dañadas y con el tamaño y la forma adecuados para los discos lijadores elegidos.** Las bridas apropiadas sirven de soporte para los discos lijadores y reducen el riesgo de rotura de estos.
- ▶ **No utilice discos lijadores desgastados de herramientas eléctricas de mayores dimensiones.** Los discos lijadores para herramientas eléctricas más grandes no son apropiados para las elevadas velocidades alcanzadas por las herramientas eléctricas de menor tamaño, puesto que podrían romperse.
- ▶ **El diámetro exterior y el espesor del útil de inserción deben corresponderse con las indicaciones de su herramienta eléctrica.** Los útiles de inserción de dimensiones incorrectas no pueden controlarse ni protegerse de forma adecuada.
- ▶ **Los discos lijadores y las bridas deben encajar a la perfección en el husillo de lijado de su herramienta eléctrica.** Las herramientas que no se adapten perfectamente al husillo de lijado pueden provocar giros irregulares, fuertes vibraciones e incluso la pérdida del control.
- ▶ **No utilice discos lijadores dañados. Antes de utilizar la herramienta eléctrica, compruebe si hay indicios de desprendimiento o de agrietamiento en los discos lijadores. En caso de caída, compruebe si la herramienta eléctrica o el disco lijador han resultado dañados y utilice en tal caso un disco lijador no dañado. Después de verificar y utilizar el disco lijador, tanto el usuario como las personas que se encuentren a su alrededor deben mantenerse alejadas del disco lijador en movimiento y dejar que la herramienta funcione a máxima velocidad durante un minuto.** Generalmente, los discos lijadores dañados se rompen en el periodo de prueba.
- ▶ **Utilice el equipo de seguridad personal. Utilice protección completa para la cara, protección para los ojos o gafas de protección, en función de la aplicación. Cuando la aplicación lo requiera, utilice mascarilla antipolvo, protección para los oídos, guantes de protección o un delantal especial que le sirva de pantalla frente a pequeñas partículas que puedan desprenderse en los trabajos de lijado.** Utilice protección para los ojos para evitar que penetren materiales extraños que puedan desprenderse en las diferentes aplicaciones. Tanto la mascarilla antipolvo como la mascarilla ligera filtran el polvo que se produce en determinadas aplicaciones. La exposición prolongada a fuertes ruidos puede ocasionar una pérdida de audición.
- ▶ **Controle que terceras personas mantengan una distancia de seguridad respecto a su zona de trabajo. Todas las personas que se encuentren en la zona de trabajo deben llevar el equipo de seguridad personal.** Los fragmentos que pueden desprenderse de la pieza de trabajo o los útiles de inserción rotos pueden salir despedidos y provocar lesiones incluso fuera de la zona de trabajo.

- ▶ **Sujete la herramienta por las empuñaduras aisladas cuando realice trabajos en que el útil de inserción pueda entrar en contacto con cables eléctricos ocultos o con el propio cable de red de la herramienta.** El contacto con los cables conductores puede traspasar la conductividad a las partes metálicas y producir descargas eléctricas.
- ▶ **Mantenga el cable de red alejado de los útiles en movimiento.** Si pierde el control sobre la herramienta, el cable de red puede desconectarse o engancharse y el útil de inserción en movimiento podría ocasionarle lesiones en las manos o brazos.
- ▶ **No deposite nunca la herramienta eléctrica hasta que el útil de inserción no se haya detenido por completo.** El útil de inserción en movimiento puede entrar en contacto con la superficie de trabajo haciéndole perder el control sobre la herramienta eléctrica.
- ▶ **No transporte la herramienta eléctrica en funcionamiento.** Su ropa puede entrar en contacto con la herramienta en movimiento de forma accidental, engancharse con ella e incluso llegar a ocasionarle lesiones.
- ▶ **Limpie las rejillas de ventilación de su herramienta eléctrica con regularidad.** El ventilador del motor conduce el polvo aspirado al interior de la carcasa, de modo que una concentración elevada de polvo de metal puede dar lugar a averías eléctricas.
- ▶ **No utilice la herramienta eléctrica cerca de materiales inflamables.** Las chispas podrían inflamar dichos materiales.
- ▶ **No utilice útiles de inserción que requieran refrigerante líquido.** El uso de agua u otros refrigerantes líquidos puede producir descargas eléctricas.

Descripción del rebote e indicaciones de seguridad correspondientes

El rebote es la reacción inesperada causada por el atascamiento o bloqueo de un disco lijador en funcionamiento. El atascamiento o bloqueo produce una parada brusca de la herramienta en funcionamiento. Por ello, una herramienta eléctrica sin control se acelera en la dirección de giro opuesta respecto a la posición de bloqueo.

Si, por ejemplo, un disco lijador se atasca o bloquea en una pieza de trabajo, el borde del disco lijador que penetra en la pieza de trabajo puede engancharse y, como consecuencia, romperse o dar lugar a un rebote. El disco lijador avanza hacia el usuario o se aleja de él, según la dirección de giro del disco respecto a la posición de bloqueo. En este caso, los discos lijadores también pueden romperse.

El rebote se debe a un uso incorrecto de la herramienta eléctrica. Puede evitarse cumpliendo las medidas de seguridad pertinentes que se describen a continuación.

- ▶ **Sujete bien la herramienta eléctrica y mantenga su cuerpo y brazos en una posición que le permita hacer frente a las fuerzas de rebote. Utilice siempre la empuñadura adicional, en caso de existir, para tener el máximo control sobre las fuerzas de rebote o los momentos de retroceso a plena marcha.** Tomar las medidas de precaución adecuadas contribuye a tener un control absoluto sobre las fuerzas de rebote y retroceso.
- ▶ **No coloque nunca la mano cerca de los útiles de inserción en movimiento.** El útil de inserción puede efectuar movimientos bruscos a causa del rebote y alcanzarle la mano.
- ▶ **Evite traspasar la zona trasera y delantera del disco tronzador.** El rebote empuja la herramienta eléctrica en dirección opuesta al movimiento del disco lijador respecto a la posición de bloqueo.
- ▶ **Tenga especial cuidado cerca de las esquinas y cantos afilados y evite que los útiles de inserción reboten o se enganchen con la pieza de trabajo.** El útil de inserción en movimiento tiende a engancharse con las esquinas o cantos afilados en caso de rebote. Ello puede comportar la pérdida de control o el rebote de la herramienta.
- ▶ **No utilice ninguna hoja de sierra de cadena o dentada ni tampoco discos de diamante segmentados con ranuras superiores a 10 mm.** Estos útiles de inserción a menudo ocasionan el rebote o la pérdida de control de la herramienta eléctrica.
- ▶ **Evite el bloqueo del disco tronzador y una presión de apriete demasiado alta. No realice cortes excesivamente profundos.** La sobrecarga de los discos tronzadores aumenta el desgaste y la tendencia al atascamiento o bloqueo y, con ello, la posibilidad de rebote o rotura del disco lijador.
- ▶ **Si el disco tronzador se atasca o el trabajo se interrumpe, desconecte la herramienta y espere a que el disco deje de girar. Nunca extraiga el disco tronzador de la herramienta antes de que se haya detenido por completo; en caso contrario, podría producirse un rebote.** Detecte la causa del atascamiento y subsane el problema.
- ▶ **No vuelva a conectar la herramienta eléctrica hasta que esta no se encuentre en la pieza de trabajo. Deje que el disco tronzador alcance su máxima velocidad antes de continuar con el corte y proceda con el máximo cuidado.** En caso contrario, el disco puede engancharse, soltarse bruscamente de la pieza de trabajo o rebotar.
- ▶ **Sujete las placas o las piezas de trabajo grandes para evitar el efecto rebote inducido por discos tronzadores atascados.** Las piezas de trabajo grandes pueden doblarse por su propio peso. La pieza



de trabajo debe hallarse sostenida por ambos lados del disco, tanto cerca del corte de separación como en la esquina.

- ▶ **Tenga especial cuidado con los "cortes de tipo bolsa" en las paredes o en otras zonas ocultas.** Los discos tronzadores pueden provocar un rebote al cortar conductos de gas o agua, cables eléctricos u otros objetos.

2.3 Indicaciones de seguridad adicionales

Seguridad de las personas

- ▶ Retire siempre hacia atrás el cable eléctrico y el alargador durante el trabajo. De esta forma se evita el peligro de tropiezo por culpa del cable.
- ▶ Durante el proceso de taladrado, proteja la zona opuesta al lugar donde se realiza el trabajo, ya que pueden desprenderse cascotes y causar heridas a otras personas.
- ▶ Utilice el producto solo si está en perfecto estado técnico.
- ▶ No efectúe nunca manipulaciones o modificaciones en la herramienta.
- ▶ Póngase guantes de protección, especialmente para cambiar los discos, para ajustar la caperuza protectora y para montar el tope de profundidad.
- ▶ A ser posible, utilice un sistema de aspiración de polvo y un aspirador de polvo portátil apropiado. El polvo procedente de materiales como pinturas con plomo, determinadas maderas, hormigón/mampostería/rocas con cuarzo, así como minerales y metal puede ser nocivo para la salud.
- ▶ Antes de iniciar el trabajo, consulte la clase de peligros derivados del polvo resultante del trabajo. Utilice un aspirador de obra con una clasificación de protección homologada conforme a las normas locales sobre la protección contra el polvo.
- ▶ Procure una buena ventilación en el lugar de trabajo y utilice en caso necesario una mascarilla adecuada para cada clase de polvo. El contacto con el polvo o su inhalación puede provocar reacciones alérgicas o asfixia al usuario o a personas que se encuentren en su entorno. Existen determinados tipos de polvo, como puede ser el de roble o el de haya, catalogados como cancerígenos, especialmente si se encuentran mezclados con aditivos usados en el tratamiento de la madera (cromato, agente protector para la madera). Únicamente expertos cualificados están autorizados a manipular materiales que contengan amianto.
- ▶ Utilice una mascarilla ligera al realizar trabajos de tronzado en seco si se utiliza la herramienta sin un sistema de aspiración de polvo. Cierre la cubierta sobre el racor de aspiración.
- ▶ Evite tocar las piezas en movimiento ya que existe riesgo de lesiones. No conecte la herramienta fuera de la zona de trabajo.
- ▶ Efectúe pausas durante el trabajo, así como ejercicios de relajación y estiramiento de los dedos para mejorar la circulación. Tras muchas horas de trabajo expuesto a las vibraciones, pueden surgir complicaciones en los vasos sanguíneos o en el sistema nervioso en dedos, manos o articulaciones de las manos.

Seguridad eléctrica

- ▶ Antes de empezar a trabajar, compruebe si la zona de trabajo oculta cables eléctricos, tuberías de gas o cañerías de agua, por ejemplo, con un detector de metales. Las partes metálicas exteriores de la herramienta pueden pasar a conducir electricidad si, por ejemplo, se ha dañado por error un cable eléctrico.
- ▶ Si se daña el cable de red o el alargador durante el trabajo, evite tocar el cable. Extraiga el enchufe de red de la toma de corriente.
- ▶ Compruebe con regularidad el cable de conexión de la herramienta y, en caso de que presentara daños, encargue su sustitución a un profesional experto en la materia.
- ▶ Inspeccione regularmente los alargadores y sustitúyalos en caso de que estuvieran dañados.

Uso y manejo de la herramienta eléctrica

- ▶ Procure que las chispas producidas durante la utilización de la herramienta no provoquen situaciones de peligro. Para ello coloque la caperuza protectora correctamente.
- ▶ Antes de su uso, compruebe que el disco tronizador esté bien colocado y sujeto y, a continuación, deje funcionar el disco tronizador en vacío durante 30 segundos en una posición segura. Desconecte inmediatamente la herramienta si se producen fuertes oscilaciones o se detectan otras deficiencias en el funcionamiento. En caso de producirse esta situación, compruebe todo el sistema para determinar la causa.
- ▶ No utilice la herramienta si arranca de forma brusca. Es posible que el sistema electrónico esté defectuoso. Encargue la reparación de la herramienta al Servicio Técnico de **Hilti**.
- ▶ Para el tronzado de superficies metálicas, cierre la cubierta sobre el racor de aspiración.

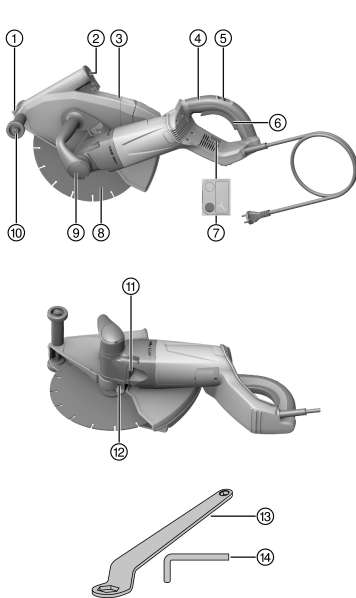
Las grietas en paredes portantes u otras estructuras pueden influir en la estática, especialmente al seccionar hierro reforzador o elementos portadores.

- ▶ Antes de comenzar a trabajar, consulte con el ingeniero, arquitecto o persona responsable de la obra.
- ▶ Evite ladear la herramienta; para ello, deslicela con cuidado y haciendo siempre cortes rectos. No está permitido cortar curvas.
- ▶ Dirija la herramienta de forma uniforme y sin aplicar presión lateral sobre el disco tronzador. Coloque siempre la herramienta en ángulo recto sobre la pieza. Durante el tronzado, no aplique presión lateral sobre el disco tronzador ni lo doble para no modificar la dirección de corte. El disco tronzador podría resultar dañado y romperse.
- ▶ No utilice nunca la herramienta sin caperuza de protección.

3 Descripción

3.1 Vista general del producto 1

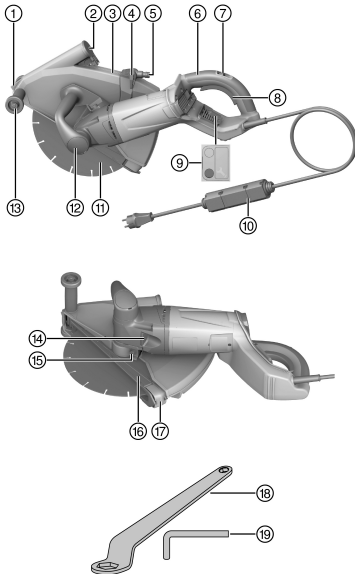
DCH 300



- ① Marcador de corte
- ② Tapa del tubo de aspiración de polvo
- ③ Caperuza protectora
- ④ Empuñadura trasera
- ⑤ Bloqueo de conexión
- ⑥ Interruptor de conexión y desconexión
- ⑦ Indicador de funcionamiento
- ⑧ Disco tronzador de diamante
- ⑨ Empuñadura delantera
- ⑩ Rodillo de guía
- ⑪ Botón de bloqueo del husillo
- ⑫ Tornillo de apriete para caperuza protectora
- ⑬ Llave de apriete SW 24/ SW 10
- ⑭ Llave de hexágono interior SW 6

3.2 Vista general del producto 2

DCH 300-X



- ① Marcador de corte
- ② Tapa del tubo de aspiración de polvo
- ③ Caperuza protectora
- ④ Válvula reguladora de agua
- ⑤ Toma del agua
- ⑥ Empuñadura trasera
- ⑦ Bloqueo de conexión
- ⑧ Interruptor de conexión y desconexión
- ⑨ Indicador de funcionamiento
- ⑩ Interruptor de corriente de defecto (PRCD)
- ⑪ Disco tronzador de diamante
- ⑫ Empuñadura delantera
- ⑬ Rodillo de guía
- ⑭ Botón de bloqueo del husillo
- ⑮ Tornillo de apriete para caperuza protectora
- ⑯ Tope de profundidad
- ⑰ Pasador de ajuste de la profundidad de corte
- ⑱ Llave de apriete SW 24/ SW 10
- ⑲ Llave de hexágono interior SW 6

3.3 Uso conforme a las prescripciones

DCH 300

El producto que se describe es una tronzadora eléctrica de diamante para el tronzado en seco de superficies de trabajo minerales mediante discos tronzadores de diamante.

DCH 300-X

El producto que se describe es una tronzadora eléctrica de diamante para el tronzado de superficies de trabajo minerales mediante discos tronzadores de diamante con o sin uso de agua.

Para tronzar superficies de trabajo minerales en seco, se debe utilizar un sistema de aspiración de polvo con el filtro correspondiente, por ejemplo, el aspirador universal VC 300-17 X de Hilti.

Para evitar el efecto electrostático, debe utilizarse un aspirador de polvo equipado con manguera de aspiración antiestática.

Este producto también sirve para tronzar superficies de trabajo metálicas con discos tronzadores de aglomerado con resina sintética sin uso de agua. Para ello, es necesario un accesorio especial (paquete de bridas, de un diámetro de 80 mm, compuesto por una brida de apriete y una brida intercambiable).

El producto debe utilizarse únicamente deslizándolo (en contrasentido).

El producto solo debe funcionar con la frecuencia y tensión de alimentación especificadas en la placa de identificación.

3.4 Posibles usos indebidos

El producto no debe utilizarse en entornos donde exista peligro de explosión.

El producto no debe utilizarse para desbastar ni rectificar.

El producto no debe utilizarse para trabajar con materiales nocivos para la salud ni muy inflamables (como el amianto, el magnesio o la madera).

El producto no debe utilizarse para trabajos de tronzado con agua.

3.5 Limitación de la corriente de arranque

La corriente de conexión de la herramienta es muy superior a la corriente nominal. Mediante la limitación electrónica de la corriente de arranque se reduce la corriente de conexión de forma que el fusible de la red no reaccione. De esta forma se evita un arranque brusco de la herramienta.

3.6 Bloqueo de re arranque

Tras una interrupción de la corriente, la tronzadora de diamante no vuelve a ponerse en marcha automáticamente. Será necesario soltar primero el interruptor de conexión y desconexión, y accionarlo después de nuevo tras aproximadamente 1 segundo.

3.7 Protección electrónica contra sobrecarga

La tronzadora de diamante está equipada con una protección electrónica contra sobrecarga que controla el consumo de corriente.

Si el consumo de corriente del motor aumenta demasiado a causa, por ejemplo, de una fuerza de apriete demasiado elevada, la protección electrónica contra sobrecarga desconecta el accionamiento.

Para volver a conectar la herramienta, se debe soltar el interruptor de conexión y desconexión y, a continuación, accionarlo de nuevo.



Si se desea realizar un trabajo continuo sin paradas. El usuario puede evitar la desconexión reduciendo la fuerza de apriete.

3.8 Indicador de funcionamiento

La tronzadora de diamante está equipada con un indicador de funcionamiento con señal luminosa.

Estado	Significado
El indicador de funcionamiento está encendido en rojo.	<ul style="list-style-type: none"> Se ha alcanzado el plazo de funcionamiento de la herramienta hasta la siguiente revisión por parte del Servicio Técnico. Desde el momento en que se enciende este indicador, se puede continuar trabajando con la tronzadora de diamante durante algunas horas hasta que se activa la desconexión automática. Lleve a tiempo el producto al Servicio Técnico de Hilti para que esté siempre a punto.
El indicador de funcionamiento parpadea en rojo.	<ul style="list-style-type: none"> El producto está defectuoso. Encargue la reparación del producto al Servicio Técnico de Hilti.

3.9 Tope de profundidad



El tope de profundidad no está incluido en el suministro de la tronzadora de diamante DCH 300, pero puede equiparse posteriormente (accesorio).

La profundidad de corte máxima se puede ajustar en el tope de profundidad utilizando una escala de ajuste de la profundidad de corte. Además, el tope de profundidad mejora el sistema de aspiración de polvo.

3.10 Suministro

Tronzadora de diamante con protección, tope de profundidad (solo DCH 300-X), brida de apriete de Ø 41 mm, tuerca de apriete M14, llave de apriete SW 24 / SW 10, llave de hexágono interior SW 6, manual de instrucciones.

Encontrará otros productos del sistema autorizados para su producto en su **Hilti Store** o en internet, en: www.hilti.group | EE. UU.: www.hilti.com



4 Datos técnicos

4.1 Datos de la herramienta



La tensión nominal, la intensidad nominal, la frecuencia y la potencia nominal figuran en la placa de identificación específica del país.

Si se utiliza con un generador o transformador, la potencia útil debe ser al menos el doble que la potencia nominal indicada en la placa de identificación de la herramienta. La tensión de servicio del transformador o del generador debe encontrarse en todo momento entre +5 % y -15 % de la tensión nominal de la herramienta.

	DCH 300	DCH 300-X
Peso	20,7 lb (9,4 kg)	20,7 lb (9,4 kg)
Dimensiones del husillo	M16 × 1,5	M16 × 1,5
Alojamiento del disco tronizador	0,87 in (22,2 mm)	0,87 in (22,2 mm)
Diámetro del disco tronizador	12,0 in (305 mm)	12,0 in (305 mm)
Grosor del disco tronizador	≤ 0,14 in (≤ 3,5 mm)	≤ 0,14 in (≤ 3,5 mm)
Velocidad nominal	4.900 rpm	4.900 rpm
Par de apriete tuerca de apriete (fijación disco tronizador)	30 ftlb _t ... 37 ftlb _t (40 Nm ... 50 Nm)	30 ftlb _t ... 37 ftlb _t (40 Nm ... 50 Nm)

4.2 Selección de los discos tronizadores adecuados

- ▶ Utilice únicamente discos tronizadores que se correspondan con las especificaciones para la aplicación concreta.

Especificación de los discos tronizadores

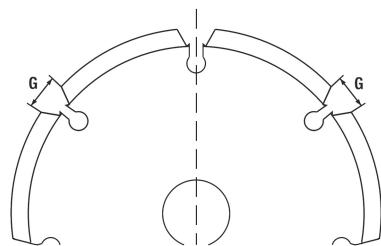
Área de aplicación	Especificaciones del disco tronizador
Tronzar superficies de trabajo minerales	Discos tronizadores de diamante conformes con la EN 13226
Trabajo de superficies de trabajo metálicas	Discos tronizadores de aglomerado con resina sintética y reforzados con fibra conforme con la EN 12413 (forma no acodada, modelo 41) ¹⁾
¹⁾ Para su montaje en la herramienta, debe utilizarse el portaútiles especial DCH 300 ABR (accesorio).	

- ▶ Tenga en cuenta las indicaciones de montaje del fabricante de los discos tronizadores.

4.3 Geometría adecuada de los discos tronizadores de diamante

El disco tronizador de diamante debe cumplir con las siguientes indicaciones geométricas.

Datos técnicos	
Anchura de ranurado entre segmentos (G)	≤ 10 mm
Ángulo de corte	negativo



5 Manejo

5.1 Indicaciones generales

5.1.1 Uso de un generador o transformador

Esta herramienta puede accionarse desde un generador o transformador (por cuenta de la empresa explotadora) si se cumplen las siguientes condiciones:

- La potencia útil (en vatios) debe ser, como mínimo, el doble de la potencia nominal de la herramienta (véase la placa de identificación)
- La tensión de funcionamiento debe ser en todo momento entre +5 y -15 % de la tensión nominal de la herramienta
- La frecuencia debe ser entre 50 y 60 Hz (nunca debe superar los 65 Hz)
- Debe existir, además, un regulador de tensión automático con refuerzo de arranque.

ATENCIÓN

Riesgo de daños La conexión y desconexión de otras herramientas conectadas al generador/transformador puede ocasionar picos de subtensión o sobretensión que podrían dañar la tronadora.

- ▶ No mantenga nunca conectadas simultáneamente al generador/transformador otras herramientas o utilice un generador/transformador que esté diseñado para que funcionen la tronadora y el aspirador.

5.1.2 Uso de alargadores

ADVERTENCIA

Peligro por los cables dañados. Si se daña el cable de red o el alargador durante el trabajo, evitar tocar el cable. Extraer el enchufe de red de la toma de corriente.

- ▶ Compruebe con regularidad el cable de conexión de la herramienta y, en caso de que presentara daños, encargue su sustitución a un profesional experto en la materia.
- Utilice solo el alargador autorizado con sección de cable suficiente para el campo de aplicación. De lo contrario, puede generarse una pérdida de potencia de la herramienta y un sobrecalentamiento del cable.
- Compruebe regularmente que el alargador no haya sufrido daños.
- Sustituir los alargadores dañados.
- Al trabajar al aire libre, utilice únicamente alargadores autorizados que estén correspondientemente identificados.

Secciones mínimas recomendadas y longitudes máximas del cable con una tensión de alimentación de 120 V

Cable	AWG 16	AWG 14	AWG 12	AWG 10
Sección de cable	1,31 mm ²	2,08 mm ²	3,31 mm ²	5,26 mm ²
Sección de cable	2,58 kcmil	4,11 kcmil	6,53 kcmil	10,4 kcmil
Longitud del cable	25 m	30 m	50 m	100 m
Longitud del cable	75 ft	100 ft	150 ft	250 ft

5.1.3 Comprobación del interruptor de corriente de defecto (PRCD)

DCH 300-X

1. Conecte el enchufe de red de la tronadora en una toma de corriente con conexión de puesta a tierra.
2. Pulse las teclas **ON** en el interruptor de corriente de defecto.
 - ◀ Aparece el indicador.
3. Pulse la tecla **TEST** en el interruptor de corriente de defecto.
 - ◀ El indicador se apaga.
 - ▼ El indicador no se apaga.
 - ▶ Deje de utilizar la herramienta y solicite su reparación con piezas de repuesto originales a personal técnico cualificado.

5.2 Montaje del disco tronizador de diamante

- ① Tuerca de apriete M16 × 1,5
- ② Brida de apriete Ø 60 mm



- ③ Disco tronzador de diamante
- ④ Brida intercambiable Ø 60 mm
- ⑤ Husillo

1. Tenga en cuenta las indicaciones para la correcta elección de los discos tronzadores adecuados → página 41, así como las indicaciones relativas a la geometría de los discos tronzadores de diamante → página 41.
2. Extraiga el enchufe de red de la toma de corriente.
3. Limpie la brida de apriete y la tuerca de apriete.
4. Coloque la brida intercambiable de Ø 60 mm con el lado correcto sobre el husillo, de forma que este no se pueda girar.

i La brida intercambiable de Ø 60 mm se puede utilizar con discos tronzadores tanto de 22,2 mm como de 25,4 mm de diámetro interior. Verifique cuál es el lado de la brida intercambiable acorde con el diámetro interior del disco tronzador que va a utilizar. La brida intercambiable debe centrar el disco tronzador.

5. Coloque el disco tronzador de diamante sobre la brida intercambiable.
6. Coloque la brida de apriete de Ø 60 mm y la tuerca de apriete.
7. Pulse y mantenga pulsado el botón de bloqueo del husillo.
8. Apriete la tuerca con la llave de apriete y a continuación suelte el botón de bloqueo del husillo.
9. Asegúrese de que el botón de bloqueo del husillo quede desenclavado y el husillo pueda volver a girar.

5.3 Montaje del disco tronzador de aglomerado con resina sintética y reforzado con fibra

- ① Tuerca de apriete M16 × 1,5
- ② Brida de apriete Ø 80 mm
- ③ Disco tronzador de aglomerado con resina sintética y reforzado con fibra
- ④ Brida intercambiable Ø 80 mm
- ⑤ Husillo

1. Tenga en cuenta las indicaciones para la correcta selección de los discos tronzadores → página 41.
2. Extraiga el enchufe de red de la toma de corriente.
3. Limpie la brida de apriete y la tuerca de apriete.
4. Coloque la brida intercambiable de Ø 80 mm con el lado correcto sobre el husillo, de forma que este no se pueda girar.

i La brida intercambiable de Ø 80 mm se puede utilizar con discos tronzadores tanto de 22,2 mm como de 25,4 mm de diámetro interior. Verifique cuál es el lado de la brida intercambiable acorde con el diámetro interior del disco tronzador que va a utilizar. La brida intercambiable debe centrar el disco tronzador.

5. Coloque el disco tronzador de diamante sobre la brida intercambiable.
6. Coloque la brida de apriete de Ø 80 mm y la tuerca de apriete.
7. Pulse y mantenga pulsado el botón de bloqueo del husillo.
8. Apriete la tuerca con la llave de apriete y a continuación suelte el botón de bloqueo del husillo.
9. Asegúrese de que el botón de bloqueo del husillo quede desenclavado y el husillo pueda volver a girar.

5.4 Desmontaje del disco tronzador

1. Asegúrese de haber extraído el enchufe de red de la toma de corriente.
2. Si se cumple la siguiente condición, siga este paso adicional:

Condiciones: El tope de profundidad (accesorio) está montado.

- ▶ Desmonte el tope de profundidad. → página 44

PRECAUCIÓN

Riesgo de rotura y de destrucción. Si se presiona el botón de bloqueo del husillo mientras este está girando, podría soltarse el útil.

- ▶ Presione el botón de bloqueo del husillo solo cuando el husillo esté parado.
3. Pulse y mantenga pulsado el botón de bloqueo del husillo.
 4. Suelte la tuerca de apriete con la llave de apriete.
 5. Retire sucesivamente la tuerca de apriete, la brida de apriete, el disco tronzador y la brida intercambiable del husillo.

5.5 Montaje del tope de profundidad (opcional) 5

- | | |
|--|---|
| ① Gancho | ④ Escala de ajuste de la profundidad de corte |
| ② Ventilador | ⑤ Encastre |
| ③ Pasador de ajuste de la profundidad de corte | |



ATENCIÓN

Riesgo de daños. El tope de profundidad (accesorio) podría resultar dañado por la proyección de chispas.

- ▶ No monte el tope de profundidad al trabajar en metal con la herramienta.

1. Extraiga el enchufe de red de la toma de corriente.
2. Enganche el gancho en el eje de los rodillos de guía.
3. Gire el ventilador colocándolo en la caperuza protectora hasta que el encastre encaje de forma audible.

5.6 Desmontaje del tope de profundidad

1. Extraiga el enchufe de red de la toma de corriente.
2. Presione el encastre y extraiga el ventilador de la caperuza protectora.

5.7 Ajuste de la profundidad de corte en el tope de profundidad

Condiciones: El tope de profundidad (accesorio) está montado

1. Presione el pasador de ajuste y desplácelo hasta que la marca señale la profundidad de corte deseada.
2. Suelte el pasador de ajuste.

5.8 Ajuste de la caperuza protectora 6

1. Extraiga el enchufe de red de la toma de corriente.
2. Afloje el tornillo de apriete con la llave de hexágono interior.
3. Gire la caperuza protectora a la posición deseada.
4. Apriete el tornillo de apriete con la llave de hexágono interior.

5.9 Conexión del suministro de agua

DCH 300-X

1. Conecte una manguera de agua a un conducto de agua.



La presión del agua en la tubería no debe ser superior a 3 bar.

2. Cierre el suministro de agua de la tronadora en la válvula reguladora de agua.
3. Conecte la manguera a la toma del agua (Gardena System).



Compruebe periódicamente la existencia de daños en las mangueras y asegúrese de que la presión máx. admisible de los conductos de agua no supere los 3 bar.

5.10 Ajuste del volumen de agua

DCH 300-X

- ▶ Gire la válvula reguladora de agua hasta ajustar el volumen de agua deseado.



5.11 Desconexión del suministro de agua

DCH 300-X

1. Cierre el suministro de agua de la tronzadora.
2. Suelte el acoplamiento (Gardena System) de la manguera de agua en la toma del agua de la tronzadora.

5.12 Conexión de la tronzadora

1. Inserte el enchufe de la herramienta en la toma de corriente.
2. Para DCH 300-X: Pulse la tecla **ON** en el interruptor de corriente de defecto.
3. Sujete la herramienta con las dos manos por las empuñaduras delantera y trasera.
4. Presione el bloqueo de conexión.
 - ◀ El interruptor de conexión y desconexión se desbloquea.
5. Pulse el interruptor de conexión y desconexión.
 - ◀ El disco tronizador empieza a girar.
6. Suelte el bloqueo de conexión y vuelva a sujetar la empuñadura trasera con el pulgar.

5.13 Trabajo seguro con la tronzadora

Condiciones: Trabajo de superficies minerales

Si la herramienta se aplica en la zona marcada, existe riesgo de rebote.



- ▶ Evite que la herramienta toque la superficie de trabajo por la zona marcada.
- ▶ Antes de cortar, coloque siempre la herramienta con los rodillos por delante en la superficie o pieza de trabajo.
- ▶ Antes del corte, haga funcionar la herramienta a la velocidad máxima.
- ▶ Haciendo presión sobre la herramienta, hunda lentamente el disco tronizador en el material.
- ▶ Trabaje con un avance moderado, adecuado al tipo de material que esté tratando.



Si se aprecia que cada vez se avanza menos en el trabajo, puede significar que los segmentos del diamante están romos. Estos se pueden afilar haciendo cortes en material abrasivo (placa de afilado **Hilti** o piedra arenisca calcárea abrasiva).

- ▶ Dirija la herramienta de forma uniforme y sin aplicar presión lateral sobre el disco tronizador.

Con superficies de trabajo minerales especialmente duras, como hormigón con un alto porcentaje de guijarros, el disco tronizador de diamante puede sobrecalentarse y, por consiguiente, dañarse. Esto se aprecia claramente porque se desprenden chispas en todo el perímetro del disco tronizador de diamante.

- ▶ En ese caso, interrumpa el proceso de tronizado y deje el disco tronizador de diamante en marcha sin carga para que se enfríe.

Es posible trabajar sin polvo si se utiliza un aspirador de polvo adecuado. El uso de un aspirador de polvo sirve, entre otras cosas, para refrigerar los segmentos, reduciendo así su desgaste.

- ▶ Si utiliza un aspirador de polvo, use una manguera de aspiración antiestática para evitar el efecto electrostático.

5.14 Desconexión de la tronzadora

- ▶ Suelte el interruptor de conexión y desconexión.
 - ◀ Cuando el motor se apaga, el disco tronizador se pone en marcha.
 - ◀ Se activa de nuevo el bloqueo de conexión.

6 Cuidado y mantenimiento

ADVERTENCIA

Riesgo de descarga eléctrica. La realización de tareas de cuidado y mantenimiento con el enchufe conectado a la toma de corriente de puede provocar lesiones y quemaduras graves.

- ▶ Extraiga siempre el enchufe de la toma de corriente antes de realizar cualquier tarea de cuidado y mantenimiento.

Cuidado

- ▶ Mantenga el producto seco, limpio y exento de aceite y grasa, en especial las superficies de la empuñadura.
- ▶ No utilice ningún producto de limpieza que contenga silicona.
- ▶ No utilice nunca el producto si tiene obstruidas las rejillas de ventilación. Limpie cuidadosamente las rejillas de ventilación con un cepillo seco. No utilice pulverizadores, aparatos de chorro de vapor o agua corriente para la limpieza. Podría mermar la seguridad eléctrica de la herramienta.
- ▶ Evite que entren cuerpos extraños en el interior del producto.
- ▶ Limpie regularmente el exterior de la herramienta con un paño ligeramente humedecido.

En condiciones de uso extremas, al tratar metales puede depositarse polvo conductor en el interior de la herramienta. Esto podría afectar al aislamiento de protección de la herramienta.

- ▶ En estos casos, utilice, a ser posible, un dispositivo de aspiración estacionario y limpie las rejillas de ventilación con regularidad.

DCH 300

- ▶ Conecte un interruptor de corriente de defecto (RCD).

Mantenimiento

ADVERTENCIA

Riesgo de descarga eléctrica. Las reparaciones indebidas en componentes eléctricos pueden producir lesiones graves y quemaduras.

- ▶ Las reparaciones de la parte eléctrica sólo puede llevarlas a cabo un técnico electricista cualificado.
- ▶ Compruebe regularmente que ninguna de las partes exteriores de la herramienta o de los accesorios esté dañada y que todos los elementos de manejo se encuentren en perfecto estado de funcionamiento.
- ▶ No utilice la herramienta si alguna de las piezas está dañada o si alguno de los elementos de manejo no funciona correctamente. Encargue la reparación de la herramienta al Servicio Técnico de Hilti.

7 Transporte y almacenamiento

ADVERTENCIA

Riesgo de incendio. Las piezas calientes de la máquina pueden incendiar el material que las rodea.

- ▶ Antes de embalar el producto o cargarlo en un vehículo, déjelo enfriar por completo.

PRECAUCIÓN

Riesgo de daños. El disco tronzador podría resultar dañado si se deja montado durante el transporte.

- ▶ Transporte la tronzadora de diamante sin disco tronzador.
- ▶ Desmonte el disco tronzador. → página 43
- ▶ Almacene los discos tronzadores atendiendo a las recomendaciones del fabricante.

8 Ayuda en caso de averías

Si se producen averías que no estén incluidas en esta tabla o que no pueda solucionar usted, diríjase al Servicio Técnico de Hilti.

Anomalía	Posible causa	Solución
La herramienta no arranca o se desconecta automáticamente.	Interrumpido el suministro de corriente.	▶ Compruebe el suministro de corriente enchufando otra herramienta eléctrica.

Anomalia	Posible causa	Solución
La herramienta no arranca o se desconecta automáticamente.	El interruptor de corriente de defecto PRCD vuelve a activar la entrada de agua en la herramienta.	<ul style="list-style-type: none"> ▶ Deje la herramienta en un lugar caliente y seco para que se seque por completo. ▶ Compruebe el interruptor de corriente de defecto. → página 42
	Cable de red o enchufe defectuosos.	▶ Solicite la comprobación del cable de red y del enchufe a personal técnico cualificado y sustitúyalos en caso necesario.
	Interruptor de conexión y desconexión defectuoso.	▶ Encargue la reparación de la herramienta al Servicio Técnico de Hilti .
	La herramienta está sobrecargada (protección contra sobrecarga activada o límites de aplicación superados)	<ul style="list-style-type: none"> ▶ Suelte el interruptor de conexión y desconexión y vuélvalo a accionar. ▶ Seleccione la herramienta adecuada para la aplicación.
	La protección contra sobrecalentamiento está activa.	▶ Deje enfriar la herramienta y limpie las rejillas de ventilación.
	El bloqueo de rearmado está activado tras una interrupción del suministro de corriente.	▶ Desconecte la herramienta y vuélvala a conectar.
El indicador de funcionamiento parpadea. La herramienta no arranca.	La herramienta está defectuosa.	▶ Encargue la reparación de la herramienta al Servicio Técnico de Hilti .
El indicador de funcionamiento está encendido. La herramienta no arranca.	Escobillas de carbón desgastadas.	▶ Solicite la comprobación de las escobillas de carbón a personal técnico cualificado y sustitúyalas en caso necesario.
La herramienta no alcanza su máxima potencia.	La sección de cable del alargador es insuficiente.	▶ Utilice un alargador con sección de cable suficiente.

9 Reciclaje

Los productos **Hilti** están fabricados en su mayor parte con materiales reutilizables. La condición para dicha reutilización es una separación adecuada de los materiales. En muchos países, **Hilti** recoge las herramientas usadas para su recuperación. Pregunte en el Servicio de Atención al Cliente de **Hilti** o a su asesor de ventas.

Lodo de corte

El vertido de lodo de corte sin un tratamiento previo adecuado en el agua o en un sistema canalizado puede resultar perjudicial para el medio ambiente.

- ▶ Consulte a las autoridades locales para informarse sobre la normativa actual vigente.

Recomendamos el siguiente procedimiento previo:

- ▶ Recoja el lodo de corte (p. ej., con el aspirador de líquidos).
- ▶ Separe del agua las partículas finas que contiene el lodo de corte dejándolo reposar o añadiendo un agente de floculación.
- ▶ Arroje la parte sólida del lodo de corte en un centro de recogida de residuos de construcción.
- ▶ Neutralice el agua restante (alcalina, valor de pH > 7) procedente del lodo de corte antes de devolverla a la canalización; para ello, añada mucha agua o un agente de neutralización ácido.

10 Garantía del fabricante

- ▶ Si tiene alguna consulta acerca de las condiciones de la garantía, póngase en contacto con su sucursal local de **Hilti**.

1 Indicações sobre a documentação

1.1 Sobre esta documentação

- Antes da colocação em funcionamento, leia esta documentação. Esta é a condição para um trabalho seguro e um manuseamento sem problemas.
- Tenha em atenção as instruções de segurança e as advertências nesta documentação e no produto.
- Guarde o manual de instruções sempre junto do produto e entregue-o a outras pessoas apenas juntamente com este manual.

1.2 Explicação dos símbolos

1.2.1 Advertências

As advertências alertam para perigos durante a utilização do produto. São utilizadas as seguintes palavras de aviso:

PERIGO

PERIGO !

- ▶ Indica perigo iminente que pode originar acidentes pessoais graves ou até mesmo fatais.

AVISO

AVISO !

- ▶ Indica um possível perigo que pode causar graves ferimentos pessoais, até mesmo fatais.





CUIDADO

CUIDADO !

- ▶ Indica uma situação potencialmente perigosa que pode originar ferimentos ligeiros ou danos materiais.


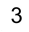



1.2.2 Símbolos na documentação

Nesta documentação são utilizados os seguintes símbolos:

	Leia o manual de instruções antes da utilização
	Instruções de utilização e outras informações úteis
	Manuseamento com materiais recicláveis
	Não deitar as ferramentas eléctricas e baterias no lixo doméstico

1.2.3 Símbolos nas figuras

Em figuras são utilizados os seguintes símbolos:

	Estes números referem-se à respectiva imagem no início deste Manual
	A numeração reproduz uma sequência dos passos de trabalho na imagem e pode divergir dos passos de trabalho no texto
	Na figura Vista geral são utilizados números de posição que fazem referência aos números da legenda na secção Vista geral do produto
	Este símbolo pretende despertar a sua atenção durante o manuseamento do produto.
	Transferência de dados sem fios

1.3 Símbolos dependentes do produto

1.3.1 Símbolos no produto

No produto são utilizados os seguintes símbolos:



	Classe II de protecção (com duplo isolamento)
	Diâmetro
n	Velocidade nominal
/min	Rotações por minuto
	Corrente alternada
	Comunicação sem fios
	Use óculos de protecção

1.4 Dados informativos sobre o produto

Os produtos **Hilti** foram concebidos para uso profissional e só devem ser utilizados, mantidos e reparados por pessoal autorizado e devidamente credenciado. Este pessoal deverá estar informado, em particular, sobre os potenciais perigos. O produto e seu equipamento auxiliar podem representar perigo se usados incorrectamente por pessoas não qualificadas ou se usados para fins diferentes daqueles para os quais foram concebidos.

A designação e o número de série são indicados na placa de características.

- ▶ Registe o número de série na tabela seguinte. Precisa dos dados do produto para colocar questões ao nosso representante ou posto de serviço de atendimento aos clientes.

Dados do produto

Sistema de corte diamantado	DCH 300 DCH 300-X
Geração	01
N.º de série	

1.5 Declaração de conformidade

Declaramos sob nossa exclusiva responsabilidade que o produto aqui descrito está em conformidade com as directivas e normas em vigor. Na parte final desta documentação encontra uma reprodução do organismo de certificação.

A documentação técnica está depositada junto da:

Hilti Entwicklungsgesellschaft mbH | Zulassung Geräte | Hiltistraße 6 | 86916 Kaufering, DE

2 Segurança

2.1 Normas de segurança gerais para ferramentas eléctricas

⚠ AVISO Leia todas as normas de segurança e instruções. O não cumprimento das normas de segurança e instruções pode resultar em choque eléctrico, incêndio e/ou lesões graves.

Guarde bem todas as normas de segurança e instruções para futura referência.

O termo "ferramenta eléctrica" utilizado nas normas de segurança refere-se a ferramentas com ligação à corrente eléctrica (com cabo de alimentação) ou ferramentas a bateria (sem cabo).

Segurança no posto de trabalho

- ▶ **Mantenha a sua área de trabalho limpa e bem iluminada.** Locais desarrumados ou mal iluminados podem ocasionar acidentes.
- ▶ **Não utilize a ferramenta eléctrica em ambientes explosivos ou na proximidade de líquidos ou gases inflamáveis.** Ferramentas eléctricas produzem faíscas que podem provocar a ignição de pó e vapores.
- ▶ **Mantenha crianças e terceiros afastados durante os trabalhos.** Distracções podem conduzir à perda de controlo sobre a ferramenta.

Segurança eléctrica

- ▶ **A ficha da ferramenta eléctrica deve servir na tomada. A ficha não deve ser modificada de modo algum. Não utilize quaisquer adaptadores com ferramentas eléctricas com ligação terra.** Fichas originais (não modificadas) e tomadas adequadas reduzem o risco de choque eléctrico.

- ▶ **Evite o contacto do corpo com superfícies ligadas à terra, como, por exemplo, canos, radiadores, fogões e frigoríficos.** Existe um risco elevado de choque eléctrico se o corpo estiver com ligação à terra.
- ▶ **As ferramentas eléctricas não devem ser expostas à chuva nem à humidade.** A infiltração de água numa ferramenta eléctrica aumenta o risco de choque eléctrico.
- ▶ **Não use o cabo para transportar, arrastar ou desligar a ferramenta eléctrica da tomada. Mantenha o cabo afastado de calor, óleo, arestas vivas ou partes em movimento da ferramenta.** Cabos danificados ou emaranhados aumentam o risco de choque eléctrico.
- ▶ **Quando operar uma ferramenta eléctrica ao ar livre, utilize apenas cabos de extensão próprios para utilização no exterior.** O uso de um cabo apropriado para espaços exteriores, reduz o risco de choques eléctricos.
- ▶ **Utilize um disjuntor diferencial se não puder ser evitada a utilização da ferramenta eléctrica em ambiente húmido.** A utilização de um disjuntor diferencial reduz o risco de choque eléctrico.

Segurança física

- ▶ **Esteja alerta, observe o que está a fazer, e tenha prudência ao trabalhar com uma ferramenta eléctrica. Se estiver cansado ou sob influência de drogas, álcool ou medicamentos não efectue nenhum trabalho com ferramentas eléctricas.** Um momento de distração ao operar a ferramenta eléctrica pode causar ferimentos graves.
- ▶ **Use equipamento de segurança. Use sempre óculos de protecção.** Equipamento de segurança, como, por exemplo, máscara antipoeiras, sapatos de segurança antiderrapantes, capacete de segurança ou protecção auricular, de acordo com o tipo e aplicação da ferramenta eléctrica, reduzem o risco de lesões.
- ▶ **Evite um arranque involuntário. Assegure-se de que a ferramenta eléctrica está desligada antes de a ligar à fonte de alimentação e/ou à bateria, pegar nela ou a transportar.** Transportar a ferramenta eléctrica com o dedo no interruptor ou ligar uma ferramenta à tomada com o interruptor ligado (ON) pode resultar em acidentes.
- ▶ **Remova quaisquer chaves de ajuste (chaves de fenda), antes de ligar a ferramenta eléctrica.** Um acessório ou chave deixado preso numa parte rotativa da ferramenta pode causar ferimentos.
- ▶ **Evite posturas corporais desfavoráveis. Mantenha sempre uma posição correcta, em perfeito equilíbrio.** Desta forma será mais fácil manter o controlo sobre a ferramenta eléctrica em situações inesperadas.
- ▶ **Use roupa apropriada. Não use roupa larga ou jóias. Mantenha o cabelo, vestuário e luvas afastados das peças móveis.** Roupas largas, jóias ou cabelos compridos podem ficar presos nas peças móveis.
- ▶ **Se poderem ser montados sistemas de remoção e de recolha de pó, assegure-se de que estes estão ligados e são utilizados correctamente.** A utilização de um sistema de remoção de pó pode reduzir os perigos relacionados com a exposição ao mesmo.

Utilização e manuseamento da ferramenta eléctrica

- ▶ **Não sobrecarregue a ferramenta. Use para o seu trabalho a ferramenta eléctrica correcta.** Com a ferramenta eléctrica adequada obterá maior eficiência e segurança se respeitar os seus limites.
- ▶ **Não utilize a ferramenta eléctrica se o interruptor estiver defeituoso.** Uma ferramenta eléctrica que já não possa ser accionada pelo interruptor é perigosa e deve ser reparada.
- ▶ **Retire a ficha da tomada e/ou remova a bateria antes de efectuar ajustes na ferramenta, substituir acessórios ou guardar a ferramenta eléctrica.** Esta medida preventiva evita o accionamento acidental da ferramenta eléctrica.
- ▶ **Guarde ferramentas eléctricas não utilizadas fora do alcance das crianças. Não permita que a ferramenta seja utilizada por pessoas não familiarizadas com a mesma ou que não tenham lido estas instruções.** Ferramentas eléctricas operadas por pessoas não treinadas são perigosas.
- ▶ **Faça uma manutenção regular das ferramentas eléctricas. Verifique se as partes móveis funcionam correctamente e não emperram ou se há peças quebradas ou danificadas que possam influenciar o funcionamento da ferramenta eléctrica. Peças danificadas devem ser reparadas antes da utilização da ferramenta.** Muitos acidentes são causados por ferramentas eléctricas com manutenção deficiente.
- ▶ **Mantenha as ferramentas de corte sempre afiadas e limpas.** Acessórios com gumes afiados tratados correctamente emperram menos e são mais fáceis de controlar.
- ▶ **Utilize a ferramenta eléctrica, acessórios, bits, etc., de acordo com estas instruções. Tome também em consideração as condições de trabalho e o trabalho a ser efectuado.** A utilização da ferramenta eléctrica para outros fins além dos previstos, pode ocasionar situações de perigo.



Manutenção

- ▶ **A sua ferramenta eléctrica só deve ser reparada por pessoal qualificado e só devem ser utilizadas peças sobressalentes originais.** Isto assegurará que a segurança da ferramenta eléctrica se mantenha.

2.2 Normas de segurança para cortadoras por abrasão

- ▶ **O resguardo de disco pertencente à ferramenta eléctrica tem de estar bem colocado e ajustado de modo a se conseguir um máximo de segurança, ou seja, a parte mais pequena possível do rebolo aponta directamente para o operador. Mantenha-se a si e a pessoas que se encontram nas proximidades fora do plano do disco de corte em rotação.** O resguardo de disco deve proteger o operador de fragmentos e contacto accidental com o rebolo.
- ▶ **Utilize exclusivamente discos de corte ligados reforçados ou diamantados para a sua ferramenta eléctrica.** O simples facto de poder fixar o acessório na sua ferramenta eléctrica não garante uma utilização segura.
- ▶ **A velocidade permitida do acessório deve estar dimensionada para, no mínimo, a velocidade máxima que consta na ferramenta eléctrica.** Acessórios que rodam a uma velocidade superior à permitida podem fragmentar-se e ser projectados.
- ▶ **Rebolos só podem ser utilizados para as possibilidades de aplicação recomendadas. Por exemplo: nunca rebarbe com a superfície lateral de um disco de corte.** Discos de corte destinam-se à abrasão de material com o rebordo do disco. A aplicação lateral de força sobre estes rebolos pode parti-los.
- ▶ **Utilize sempre flanges de aperto não danificados, com a dimensão e forma apropriadas para o disco de rebarbar por si escolhido.** Flanges adequados apoiam o disco de rebarbar e reduzem assim o risco de quebra do disco.
- ▶ **Não utilize discos de rebarbar gastos, de ferramentas eléctricas maiores.** Discos de rebarbar para ferramentas eléctricas maiores não estão dimensionados para as velocidades mais elevadas de ferramentas eléctricas mais pequenas, podendo partir.
- ▶ **Diâmetro exterior e espessura do acessório devem corresponder às dimensões da sua ferramenta eléctrica.** Acessórios mal dimensionados não podem ser resguardados ou controlados o suficiente.
- ▶ **Discos de rebarbar e falanges devem ajustar-se de forma exacta ao veio da ferramenta eléctrica.** Acessórios que não se ajustam exactamente ao veio da ferramenta eléctrica, rodam de forma irregular, vibram fortemente e podem levar à perda de controlo.
- ▶ **Não utilize discos de rebarbar danificados. Examine os discos de rebarbar em relação a fragmentos e fissuras antes de cada utilização. Se a ferramenta eléctrica ou o disco de rebarbar cair, verifique se ficou danificada(o) ou utilize um disco de rebarbar intacto. Quando tiver examinado e montado o disco de rebarbar, coloque-se a si e a pessoas que se encontrem nas proximidades fora do plano do disco de rebarbar em rotação e deixe trabalhar a ferramenta durante um minuto à velocidade máxima.** A maioria dos discos de rebarbar danificados quebram-se durante este período de ensaio.
- ▶ **Use equipamento de segurança. Use máscara protectora integral, guarda-vista ou óculos de protecção consoante a aplicação. Desde que adequado, use máscara antipoeiras, protecção auricular, luvas de protecção ou avental especial para manter pequenas partículas de abrasão e de material afastadas de si.** Os olhos devem ser protegidos de objectos estranhos projectados que são produzidos em diversas aplicações. As máscaras antipoeiras ou respiratórias devem filtrar as poeiras que são produzidas durante a utilização. Se estiver exposto durante muito tempo a ruído intenso, poderá vir a sofrer de perda de audição.
- ▶ **Assegure-se de que outras pessoas se mantêm afastadas o suficiente da sua zona de trabalho. Cada pessoa que entrar na zona de trabalho tem de usar equipamento de protecção individual.** Fragmentos da peça a trabalhar ou dos acessórios partidos podem ser projectados e provocar ferimentos mesmo para além da zona de trabalho directa.
- ▶ **Segure a ferramenta apenas pelas áreas isoladas dos punhos, quando executar trabalhos onde o acessório pode encontrar cabos eléctricos encobertos ou o próprio cabo de rede.** O contacto com um cabo sob tensão também pode colocar partes metálicas da ferramenta sob tensão e causar um choque eléctrico.
- ▶ **Mantenha o cabo de rede afastado de acessórios em movimento.** Se perder o controlo sobre a ferramenta, o cabo de rede pode ser cortado ou agarrado e a sua mão ou braço puxado contra o acessório em movimento.
- ▶ **Nunca pose a ferramenta eléctrica enquanto o acessório não estiver completamente parado.** O acessório em movimento pode entrar em contacto com a superfície de apoio, levando-o a perder o controlo sobre a ferramenta eléctrica.
- ▶ **Não deixe a ferramenta eléctrica a funcionar enquanto a transporta.** A sua roupa pode ser agarrada devido a contacto accidental com o acessório em movimento e este perfurar o corpo.

- ▶ **Limpe regularmente as saídas de ar da sua ferramenta eléctrica.** O ventilador do motor aspira poeiras para dentro da carcaça, podendo originar perigos de origem eléctrica devido a uma forte acumulação de pós metálicos.
- ▶ **Não utilize a ferramenta eléctrica na proximidade de materiais inflamáveis.** Faiscas podem inflamar tais materiais.
- ▶ **Não utilize quaisquer acessórios que exijam líquidos de refrigeração.** A utilização de água ou outros líquidos de refrigeração pode resultar num choque eléctrico.

Normas de segurança em caso de coice

O coice é a reacção repentina em consequência de um disco de rebarbar preso ou bloqueado. A prisão ou bloqueio ocasiona uma paragem súbita do acessório em movimento. Isto faz com que uma ferramenta eléctrica descontrolada seja acelerada no ponto do bloqueio contra o sentido de rotação do acessório.

Quando, por ex., um disco de rebarbar prende ou fica bloqueado numa peça, o rebordo do disco que mergulha na peça pode encravar-se e o disco fugir ou provocar assim um coice. O disco de rebarbar move-se então no sentido do operador ou afasta-se dele, conforme o sentido de rotação do disco no ponto do bloqueio. Isto também pode levar à quebra dos discos de rebarbar.

Um coice é a consequência de uma utilização incorrecta ou deficiente da ferramenta eléctrica. Este pode ser evitado através de medidas de precaução adequadas, como descrito a seguir.

- ▶ **Agarre bem a ferramenta eléctrica e coloque o seu corpo e os seus braços numa posição em que poderá absorver as forças do coice. Utilize sempre o punho adicional, caso exista, para ter o máximo controlo possível sobre as forças do coice ou os torques de reacção durante o arranque.** O operador pode dominar as forças do coice e de reacção através de medidas de precaução adequadas.
- ▶ **Nunca coloque a sua mão na proximidade de acessórios em movimento.** O acessório pode, em caso de coice, atravessar a sua mão.
- ▶ **Evite a zona à frente e atrás do disco de corte em movimento.** O coice propuliona a ferramenta eléctrica no sentido oposto ao do movimento do disco de rebarbar no ponto do bloqueio.
- ▶ **Trabalhe com particular precaução perto de cantos, arestas vivas, etc. Evite que acessórios ressaltem da peça e encravem.** O acessório em movimento tem a tendência de se encravar em cantos, arestas vivas ou quando ressalta, o que provoca uma perda de controlo ou coice.
- ▶ **Não utilize um disco com corrente ou dentado, nem um disco diamantado segmentado com fendas de largura superior a 10 mm.** Acessórios deste tipo provocam frequentemente um coice ou a perda do controlo sobre a ferramenta eléctrica.
- ▶ **Evite o bloqueio do disco de corte ou força de encosto excessiva. Não execute cortes excessivamente fundos.** Uma sobrecarga do disco de corte aumenta o respectivo esforço e a predisposição para encravar ou bloquear e, assim, a possibilidade de um coice ou quebra do rebolo.
- ▶ **Caso o disco de corte encrave ou o trabalho seja interrompido, desligue a ferramenta e segure-a quieta, até o disco estar imobilizado. Nunca tente puxar o disco ainda em rotação para fora do corte, pois isso pode causar um coice.** Determine e corrija a causa para o encravar do disco.
- ▶ **Não volte a ligar a ferramenta eléctrica enquanto esta se encontrar encravada na peça. Deixe que o disco de corte atinja primeiro a sua velocidade plena, antes de prosseguir, com precaução, o corte.** Caso contrário, o disco pode prender, saltar da peça ou provocar um coice.
- ▶ **Escore placas ou peças grandes, de modo a diminuir o risco de um coice devido a um disco de corte encravado.** Peças grandes podem flectir sob o seu próprio peso. A peça tem de ser escorada de ambos os lados do disco, tanto na proximidade do corte de separação como também na borda.
- ▶ **Tenha particular atenção no caso de "cortes de entalhe" em paredes existentes ou noutras áreas não inspecionáveis.** Ao mergulhar na peça, o disco de corte pode provocar um coice durante o corte em tubagens de gás ou água, cabos eléctricos ou outros objectos.

2.3 Normas de segurança adicionais

Segurança física

- ▶ Durante o trabalho, mantenha o cabo de alimentação e a extensão sempre na parte de trás da ferramenta. Evita, assim, tropeçar no cabo durante os trabalhos.
- ▶ Ao realizar trabalhos de perfuração, vede a área que se encontra do lado oposto dos trabalhos. Restos de demolição podem desprender-se e/ou cair e ferir outras pessoas.
- ▶ Utilize o produto somente se estiver em perfeitas condições técnicas.
- ▶ Nunca efectue quaisquer manipulações ou modificações na ferramenta.
- ▶ Use luvas de protecção, especialmente ao substituir o disco, ajustar o resguardo do disco e montar o limitador de profundidade.



- ▶ Se possível, utilize uma aspiração de pó e um removedor de pó móvel adequado. Pó de materiais, como tinta com chumbo, algumas madeiras, betão/alvenaria/rochas quartzíferas, minerais e metal podem ser nocivos.
- ▶ Antes de iniciar os trabalhos, apure a classe de perigo do pó gerado. Utilize um aspirador industrial com protecção aprovada e que esteja de acordo com as regulamentações locais sobre emissão de poeiras nocivas para o ambiente.
- ▶ Garanta uma boa ventilação do local de trabalho e, se necessário, use uma máscara de protecção respiratória, adequada para o respectivo pó. O contacto ou inalação do pó podem provocar reacções alérgicas e/ou doenças das vias respiratórias no utilizador ou em pessoas que se encontrem nas proximidades. Determinados pó, como os de carvalho ou de faia, são considerados cancerígenos, especialmente em combinação com aditivos para o tratamento de madeiras (cromato, produtos para a preservação de madeiras). Material que contenha amianto só pode ser manuseado por pessoal especializado.
- ▶ Se a ferramenta for utilizada para o corte a seco sem o dispositivo de aspiração de pó, é indispensável colocar uma máscara antipoeiras leve. Feche a tampa sobre a tubuladura de aspiração.
- ▶ Evite o contacto com peças rotativas – Risco de ferimentos! Ligue a ferramenta apenas quando estiver no local de trabalho.
- ▶ Faça pausas para relaxar os músculos e melhorar a circulação sanguínea nas mãos. Ao trabalhar durante períodos mais prolongados, as vibrações podem causar perturbações nos vasos sanguíneos ou no sistema nervoso nos dedos, mãos ou pulsos.

Segurança eléctrica

- ▶ Antes de iniciar os trabalhos, verifique o local de trabalho relativamente a cabos eléctricos encobertos, bem como tubos de gás e água, por ex., com um detector de metais. Partes metálicas externas da ferramenta podem transformar-se em condutores de corrente se, p.ex., uma linha eléctrica for danificada inadvertidamente.
- ▶ Se danificar o cabo enquanto trabalha, não lhe toque e desligue o aparelho imediatamente. Retire a ficha de rede da tomada.
- ▶ Verifique o cabo de conexão regularmente. Se danificado, deve ser imediatamente substituído por um especialista reconhecido.
- ▶ Verifique as extensões de cabo regularmente. Se estiverem danificadas, deverão ser substituídas.

Utilização e manuseamento da ferramenta eléctrica

- ▶ Certifique-se de que as faíscas originadas pela utilização não representam qualquer perigo. Para o efeito, coloque o resguardo correctamente.
- ▶ Certifique-se de que o disco de corte é fixo e aplicado correctamente antes da utilização e deixe o disco de corte trabalhar em vazio durante 30 segundos numa posição segura. Desligue imediatamente a ferramenta se notar uma vibração elevada ou qualquer outra anomalia e verifique todo o sistema para determinar a causa.
- ▶ Não utilize a ferramenta se esta arrancar com dificuldade ou aos esticões. Existe a possibilidade de o sistema electrónico estar avariado. Mande reparar a ferramenta no Centro de Assistência Técnica **Hilti**.
- ▶ Feche a tampa sobre a tubuladura de aspiração ao cortar material base de origem metálica.

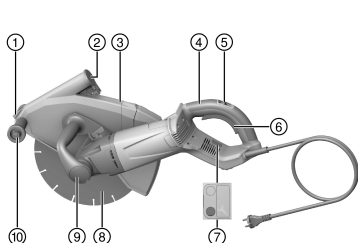
As aberturas (roços) em paredes de suporte ou outras estruturas podem influenciar a estática da estrutura, especialmente ao cortar/atravesar armadura.

- ▶ Consulte o engenheiro, arquitecto ou responsável pelo projecto antes de iniciar os trabalhos.
- ▶ Evite que o disco encrave guiando a ferramenta com atenção e através de cortes a direito. Não é permitido o corte de curvas.
- ▶ Conduza a ferramenta uniformemente e sem exercer força lateral sobre o disco de corte. Coloque a ferramenta sempre em ângulo recto sobre a peça. Durante o processo de corte, não altere a direcção de corte nem através de uma força lateral nem dobrando o disco de corte. O disco de corte poderia ser danificado.
- ▶ Nunca deve utilizar a ferramenta sem o resguardo.

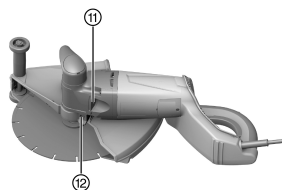
3 Descrição

3.1 Vista geral do produto 1

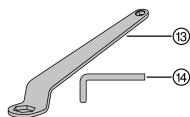
DCH 300



- ① Marcador de corte
- ② Tampa do tubo de remoção do pó
- ③ Cobertura de protecção
- ④ Punho traseiro
- ⑤ Dispositivo de bloqueio
- ⑥ Interruptor on/off
- ⑦ Indicador de manutenção
- ⑧ Disco de corte diamantado
- ⑨ Punho dianteiro
- ⑩ Roldana guia



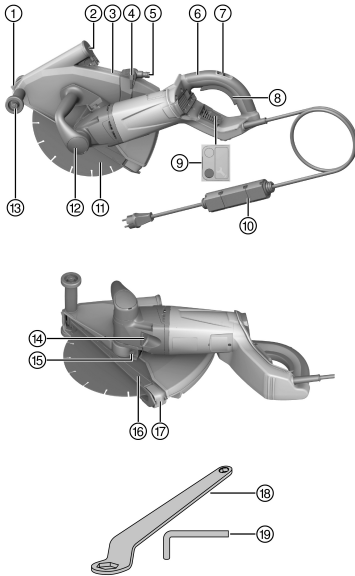
- ⑪ Botão de bloqueio do veio
- ⑫ Parafuso de aperto para resguardo do disco



- ⑬ Chave de aperto n.º 24/ 10
- ⑭ Chave para sextavado interior n.º 6

3.2 Vista geral do produto 2

DCH 300-X



- ① Marcador de corte
- ② Tampa do tubo de remoção do pó
- ③ Cobertura de protecção
- ④ Válvula de regulação de água
- ⑤ Ligaçao para a mangueira da água
- ⑥ Punho traseiro
- ⑦ Dispositivo de bloqueio
- ⑧ Interruptor on/off
- ⑨ Indicador de manutenção
- ⑩ Disjuntor diferencial (PRCD)
- ⑪ Disco de corte diamantado
- ⑫ Punho dianteiro
- ⑬ Roldana guia
- ⑭ Botão de bloqueio do veio
- ⑮ Parafuso de aperto para resguardo do disco
- ⑯ Limitador de profundidade
- ⑰ Corrediça da profundidade de corte
- ⑱ Chave de aperto n.º 24/ 10
- ⑲ Chave para sextavado interior n.º 6

3.3 Utilização conforme a finalidade projectada

DCH 300

O produto descrito é um sistema de corte diamantado eléctrico para o corte a seco de materiais base de origem mineral com discos de corte diamantados.

DCH 300-X

O produto descrito é um sistema de corte diamantado eléctrico para o corte de materiais base de origem mineral com discos de corte diamantados com e sem a utilização de água.

Deve utilizar um aspirador equipado com filtro adequado, p. ex., **Hilti** aspirador universal VC 300-17 X, para cortar a seco materiais base de origem mineral.

Para evitar efeitos electrostáticos deve utilizar-se um aspirador com mangueira de aspiração antiestática. Como opção, o produto também pode ser utilizado com discos de corte de resina sintética para cortar materiais base de origem metálica sem a utilização de água. Para o efeito, são necessários acessórios especiais (pacote de falanges, diâmetro 80 mm, constituído por flange de aperto e de inversão).

O produto deve ser operado exclusivamente no sentido contrário ao do movimento de rotação.

Certifique-se de que a corrente eléctrica à qual o produto é ligado está de acordo com a mencionada na placa de características.

3.4 Possível uso incorrecto

O produto não pode ser operado em ambiente com risco de explosão.

O produto não pode ser utilizado para desbastar ou rebarbar.

O produto não pode ser utilizado para trabalhar materiais nocivos para a saúde ou facilmente inflamáveis (p. ex., amianto, magnésio, madeira).



O produto não pode ser utilizado para cortar com água.

3.5 Regulação da corrente de arranque

A corrente inicial absorvida pela ferramenta é um múltiplo da corrente nominal. O regulador electrónico de corrente reduz a corrente inicial absorvida pela ferramenta, evitando que o fusível da corrente eléctrica dispare. Garante também que a ferramenta arranque suavemente, sem coice inicial.

3.6 Bloqueio de arranque

O sistema de corte diamantado não volta a arrancar automaticamente após uma interrupção da energia. Primeiro é necessário soltar o interruptor on/off e voltar a pressionar após aprox. 1 segundo.

3.7 Protecção electrónica contra sobrecarga

O sistema de corte diamantado está equipado com uma protecção electrónica contra sobrecarga, que monitoriza a corrente absorvida.

Se a corrente absorvida do motor se tornar demasiado elevada, p. ex., devido a uma força de pressão excessiva, a protecção electrónica contra sobrecarga desliga o motor.

Para voltar a ligar a ferramenta é necessário soltar o interruptor on/off e voltar a acioná-lo de seguida.



Deve procurar conseguir-se um processo de trabalho contínuo sem desactivação. O utilizador pode evitar a desactivação, reduzindo a pressão de contacto.

3.8 Indicador de manutenção

O sistema de corte diamantado está equipado com um indicador de manutenção com sinal luminoso.

Estado	Significado
Indicador de manutenção acende a vermelho.	<ul style="list-style-type: none">Foi atingido o tempo de trabalho predeterminado e requer-se agora uma manutenção. Depois de a luz acender pela primeira vez, o sistema de corte diamantado poderá continuar a ser utilizado durante algumas horas, antes de ser activada a desactivação automática.Envie atempadamente o seu produto a um Centro de Assistência Técnica Hilti para que seja reparado e esteja pronto a ser usado quando necessário.
Indicador de manutenção pisca a vermelho.	<ul style="list-style-type: none">O produto está avariado. Mandar reparar o produto no Centro de Assistência Técnica Hilti.

3.9 Limitador de profundidade



No sistema de corte diamantado DCH 300, o limitador de profundidade não está incluído no fornecimento, no entanto poderá reequipado (acessório).

No limitador de profundidade, é possível ajustar a profundidade de corte máxima pretendida com ajuda da escala de profundidades de corte. Para além disso, o limitador de profundidade melhora a aspiração de pó.

3.10 Incluído no fornecimento

Sistema de corte diamantado com resguardo, limitador de profundidade (apenas DCH 300-X), flange de aperto Ø 41 mm, porca tensora M14, chave de aperto n.º 24/n.º 10, chave para sextavado interior n.º 6, manual de instruções.

Poderá encontrar outros produtos de sistema aprovados para o seu produto no seu **Hilti Store** ou online, em: www.hilti.group | EUA: www.hilti.com



4 Características técnicas

4.1 Dados da ferramenta



Consulte a tensão nominal, corrente nominal, frequência e potência nominal na sua placa de características específica do país.

Em caso de alimentação por um gerador ou transformador, a respectiva potência de saída mínima deverá corresponder ao dobro da potência nominal indicada na placa de características do aparelho. A tensão de serviço do transformador ou gerador deverá encontrar-se sempre entre +5% e -15% da tensão nominal do aparelho.

	DCH 300	DCH 300-X
Peso	20,7 lb (9,4 kg)	20,7 lb (9,4 kg)
Medida da rosca do veio	M16 × 1,5	M16 × 1,5
Alojamento do disco de corte	0,87 in (22,2 mm)	0,87 in (22,2 mm)
Diâmetro do disco de corte	12,0 in (305 mm)	12,0 in (305 mm)
Espessura dos discos de corte	≤ 0,14 in (≤ 3,5 mm)	≤ 0,14 in (≤ 3,5 mm)
Velocidade nominal	4 900 rpm	4 900 rpm
Torque de aperto para porca tensora (fixação dos discos de corte)	30 ftlb _t ... 37 ftlb _t (40 Nm ... 50 Nm)	30 ftlb _t ... 37 ftlb _t (40 Nm ... 50 Nm)

4.2 Seleção de discos de corte adequados

- ▶ Utilize apenas discos de corte que correspondam à especificação para a determinada aplicação.

Especificação dos discos de corte

Área de utilização	Especificação dos discos de corte
Cortar materiais base de origem mineral	Discos de corte diamantados de acordo com a norma EN 13226
Processamento de materiais base de origem metálica	Discos de corte de resina sintética reforçada a fibra de acordo com EN 12413 (não côncava, Tipo 41) ¹⁾

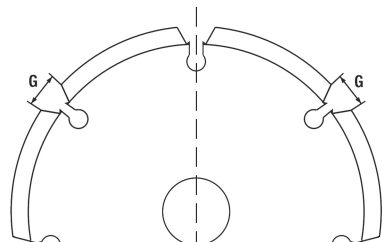
¹⁾ Para montagem na ferramenta, o porta-ferramentas DCH 300 ABR adequado especiais (acessório).

- ▶ Respeite as instruções de montagem dos fabricantes dos discos de corte.

4.3 Geometria de discos de corte diamantados adequados

Discos de corte diamantados devem cumprir as seguintes especificações geométricas.

Características técnicas	
Largura da fenda entre segmentos (G)	≤ 10 mm
Ângulo de corte	negativo



5 Utilização

5.1 Informação geral

5.1.1 Utilização de um gerador ou transformador

Se as seguintes condições estiverem satisfeitas, a ferramenta pode ser alimentada por um gerador ou transformador:

- Potência de saída (em watt), no mínimo, o dobro da potência nominal da ferramenta (consultar a placa de características)
- Voltagem em carga sempre entre os +5% e -15% da voltagem nominal da ferramenta
- Frequência 50 a 60 Hz (nunca superior a 65 Hz)
- Deve utilizar-se um regulador automático de tensão com arrancador.

ATENÇÃO

Perigo de danos Ligar e desligar outras ferramentas, também ligadas ao gerador/transformador, pode causar picos de subtensão e/ou sobretensão, danificando o sistema de corte.

- ▶ O gerador ou transformador nunca deve ser usado para alimentar outras ferramentas em simultâneo. Utilize um gerador ou transformador que esteja previsto para ser utilizado com o sistema de corte e o aspirador.

5.1.2 Utilização de extensões de cabo

AVISO

Perigo devido a cabo danificado! Se danificar o cabo enquanto trabalha, não lhe toque e desligue o aparelho imediatamente. Retire a ficha de rede da tomada.

- ▶ Verifique o cabo eléctrico regularmente. Se danificado, deve ser imediatamente substituído por um especialista.
- Utilize apenas cabos de extensão aprovados para o tipo de aplicação em causa e com a secção transversal adequada. A inobservância desta recomendação pode resultar numa perda de potência da ferramenta e no sobreaquecimento do cabo.
- Examine o cabo periodicamente em relação a eventuais danos.
- Substitua os cabos de extensão danificados.
- Em trabalhos de exterior, utilize apenas extensões com secção apropriada e correspondentemente indicadas.

Secções de cabo mínimas recomendadas e comprimentos máximos para uma tensão de rede de 120 V

Cabo	AWG 16	AWG 14	AWG 12	AWG 10
Secção do cabo	1,31 mm ²	2,08 mm ²	3,31 mm ²	5,26 mm ²
Secção do cabo	2,58 kcmil	4,11 kcmil	6,53 kcmil	10,4 kcmil
Comprimento do cabo	25 m	30 m	50 m	100 m
Comprimento do cabo	75 ft	100 ft	150 ft	250 ft

5.1.3 Verificar o disjuntor diferencial (PRCD)

DCH 300-X

1. Insira a ficha de rede da ferramenta de corte numa tomada com ligação à terra.
2. Pressione as teclas **ON** no disjuntor diferencial.
 - ◀ Surge o visor.
3. Pressione a tecla **TESTE** no disjuntor diferencial.
 - ◀ O visor apaga.
 - ▼ O visor não apaga.
 - ▶ Não continue a operar a ferramenta. Mande reparar a ferramenta com peças sobressalentes originais, por pessoal qualificado.

5.2 Montar o disco de corte diamantado

- ① Porca de aperto M16 × 1,5
- ② Falange de aperto Ø 60 mm



- ③ Disco de corte diamantado
- ④ Falange de inversão Ø 60 mm
- ⑤ Veio

1. Respeite as instruções para a selecção correcta de discos de corte adequados → Página 57 e as especificações relativas à geometria dos discos de corte diamantados → Página 57.
2. Retire a ficha de rede da tomada.
3. Limpe o flange de aperto e a porca tensora.
4. Coloque a falange de inversão Ø 60 mm com o lado correcto no veio de modo que já não possa ser rodada.

i A falange de inversão Ø 60 mm pode ser utilizada, consoante o lado, para discos de corte com um diâmetro interior de 22,2 mm ou de 25,4 mm. Deve ser verificado o lado da falange de inversão que se adequa ao diâmetro interior do disco de corte. A falange de inversão tem de centrar o disco de corte.

5. Coloque o disco de corte diamantado na falange de inversão.
6. Coloque a falange de aperto Ø 60 mm e a porca tensora.
7. Pressione o botão de bloqueio do veio e mantenha-o pressionado.
8. Aperte a porca tensora com a chave de aperto e, em seguida, largue o botão de bloqueio do veio.
9. Certifique-se de que o botão de bloqueio do veio está saído para fora e de que volta a ser possível rodar o veio.

5.3 Montar disco de corte de resina sintética reforçada a fibra

- ① Porca de aperto M16 × 1,5
- ② Falange de aperto Ø 80 mm
- ③ Disco de corte de resina sintética reforçada a fibra
- ④ Falange de inversão Ø 80 mm
- ⑤ Veio

1. Respeite as instruções para a selecção correcta de discos de corte adequados → Página 57.
2. Retire a ficha de rede da tomada.
3. Limpe o flange de aperto e a porca tensora.
4. Coloque a falange de inversão Ø 80 mm com o lado correcto no veio de modo que já não possa ser rodada.

i A falange de inversão Ø 80 mm pode ser utilizada, consoante o lado, para discos de corte com um diâmetro interior de 22,2 mm ou de 25,4 mm. Deve ser verificado o lado da falange de inversão que se adequa ao diâmetro interior do disco de corte. A falange de inversão tem de centrar o disco de corte.

5. Coloque o disco de corte diamantado na falange de inversão.
6. Coloque a falange de aperto Ø 80 mm e a porca tensora.
7. Pressione o botão de bloqueio do veio e mantenha-o pressionado.
8. Aperte a porca tensora com a chave de aperto e, em seguida, largue o botão de bloqueio do veio.
9. Certifique-se de que o botão de bloqueio do veio está saído para fora e de que volta a ser possível rodar o veio.

5.4 Desmontar o disco de corte

1. Certifique-se de que a ficha foi retirada da tomada.
2. Se a seguinte condição estiver cumprida, execute adicionalmente esta acção:

Condições: O limitador de profundidade (acessório) está montado.

- ▶ Desmonte o limitador de profundidade. → Página 60

CUIDADO

Risco de quebra e de destruição. Quando o botão de bloqueio do veio é pressionado enquanto o veio roda, o acessório pode soltar-se.

- ▶ Pressione o botão de bloqueio do veio só quando o veio parar de rodar.

3. Pressione o botão de bloqueio do veio e mantenha-o pressionado.
4. Solte a porca tensora com a chave de aperto.
5. Retire sucessivamente a porca tensora, a falange de aperto, o disco de corte e a falange de inversão do veio.

5.5 Colocar o limitador de profundidade (opcional) 5

- | | |
|--------------------------------------|------------------------------------|
| ① Gancho | ④ Escala de profundidades de corte |
| ② Leque | ⑤ Detentor |
| ③ Corrediça da profundidade de corte | |

**ATENÇÃO**

Perigo de danos. O limitador de profundidade (acessório) é danificado através da projecção de faíscas.

▶ Não deve montar o batente de profundidade caso pretenda trabalhar metal com a ferramenta.

1. Retire a ficha de rede da tomada.
2. Engate o gancho no eixo dos rolos de guia.
3. Rode o leque para dentro do resguardo até o detentor encaixar de forma audível.

5.6 Desmontar o limitador de profundidade

1. Retire a ficha de rede da tomada.
2. Pressione o detentor e rode o leque para fora do resguardo.

5.7 Ajustar a profundidade de corte no limitador de profundidade

Condições: O limitador de profundidade (acessório) está montado

1. Pressione a corrediça da profundidade de corte e desloque-a até que marca aponte para a profundidade de corte pretendida.
2. Solte a corrediça da profundidade de corte.

5.8 Ajustar o resguardo 6

1. Retire a ficha de rede da tomada.
2. Alivie o parafuso de aperto com a chave para sextavado interior.
3. Posicione o resguardo conforme desejado.
4. Aperte o parafuso de aperto com a chave para sextavado interior.

5.9 Ligar o fornecimento de água

DCH 300-X

1. Ligue uma mangueira de água à canalização de água.



A pressão da água na canalização de água não deve ser superior a 3 bar.

2. Na válvula de regulação da água, desligue o abastecimento de água para o sistema de corte.
3. Ligue a mangueira à ligação para mangueira (sistema Gardena).



Verifique periodicamente o estado das mangueiras e assegure-se de que não é excedida a pressão máx. permitida de 3 bar.

5.10 Ajustar a quantidade de água

DCH 300-X

- ▶ Roda a válvula de regulação da água até estar ajustada a quantidade pretendida de água.



5.11 Separar a fornecimento de água

DCH 300-X

1. Desligue o abastecimento de água para o sistema de corte.
2. Solte o acoplamento (sistema Gardena) da mangueira de água na ligação para mangueira do sistema de corte.

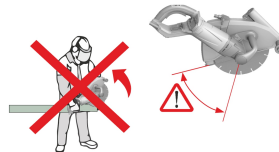
5.12 Ligar o sistema de corte

1. Ligue a ficha de rede à tomada.
2. No DCH 300-X: Pressione a tecla **ON** no disjuntor diferencial.
3. Segure a ferramenta com ambas as mãos no punho dianteiro e traseiro.
4. Prima o dispositivo de bloqueio.
 - ◀ O interruptor on/off será desbloqueado.
5. Pressione o interruptor (ON/OFF).
 - ◀ O disco de corte começa a rodar.
6. Solte o dispositivo de bloqueio e volte a colocar o polegar á volta do punho traseiro.

5.13 Trabalho seguro com o sistema de corte

Condições: Processamento de materiais base de origem mineral

Em caso de entrada da ferramenta na área assinalada existe o perigo de um coice.



- ▶ Evite a entrada da ferramenta no material base na área assinalada.
- ▶ Antes de encetar o corte, coloque a ferramenta sempre com os rolos à frente, sobre o material base / peça a trabalhar.
- ▶ Antes de encetar o corte, deixe que a ferramenta alcance a velocidade de rotação máxima.
- ▶ Fazendo pressão sobre a ferramenta, mergulhe lentamente o disco de corte no material.
- ▶ Trabalhe com uma velocidade de avanço moderada, adaptada ao material a trabalhar.

i Um progresso de trabalho decrescente pode ser uma indicação de que os segmentos diamantados ficaram embotados. Estes podem ser reafiados através de cortes em material abrasivo (placa de afiar **Hilti** ou arenito calcário abrasivo).

- ▶ Conduza a ferramenta uniformemente e sem exercer força lateral sobre o disco de corte.

Ao trabalhar materiais base de origem mineral especialmente duros (por exemplo, betão) com elevada proporção de gravilha, o disco de corte diamantado pode sobreaquecer e ficar danificado devido a isso. Um indicio claro disso é um anel de faíscas que acompanha o movimento do disco de corte diamantado.

- ▶ Neste caso, interrompa o processo de corte e deixe que o disco de corte diamantado continue a trabalhar sem carga, para que possa arrefecer.

Com um aspirador adequado é possível trabalhar sem produzir muito pó. A utilização de um aspirador auxilia, entre outros, a refrigeração dos segmentos, reduzindo assim o seu desgaste.

- ▶ Se aplicar um aspirador, utilize uma mangueira de aspiração antiestática, de modo a evitar efeitos electrostáticos.

5.14 Desligar o sistema de corte

- ▶ Solte o interruptor on/off.
 - ◀ O motor é desligado, o disco de corte roda até parar.
 - ◀ O dispositivo de bloqueio está novamente activado.

6 Conservação e manutenção

AVISO

Perigo devido a choque eléctrico! A conservação e manutenção com a ficha de ligação inserida pode originar ferimentos graves e queimaduras.

- ▶ Retirar sempre a ficha de ligação antes de todos os trabalhos de conservação e manutenção!

Conservação

- ▶ Mantenha o produto, particularmente as superfícies do punho, seco, limpo e isento de óleo e gordura.
- ▶ Não utilize produtos de limpeza que contenham silicone.
- ▶ Nunca opere o produto com as saídas de ar obstruídas! Limpe as saídas de ar cuidadosamente com uma escova seca. Não utilize qualquer pulverizador, aparelho de jacto de vapor ou água corrente para a limpeza! A segurança eléctrica da ferramenta pode ficar comprometida.
- ▶ Evite a penetração de corpos estranhos no interior do produto.
- ▶ Limpe regularmente o exterior da ferramenta com um pano ligeiramente húmido.

Ao trabalhar metais em condições de utilização extremas, pode depositar-se pó condutor no interior da ferramenta. O isolamento de protecção da ferramenta pode assim ficar comprometido.

- ▶ Nestes casos utilize, na medida do possível, um sistema de aspiração fixo e limpe frequentemente as saídas de ar.

DCH 300

- ▶ Nestes casos, ligue um disjuntor diferencial (RCD) em série.

Manutenção

AVISO

Perigo devido a choque eléctrico! Reparações incorrectas em peças eléctricas podem causar ferimentos e queimaduras graves.

- ▶ As reparações na parte eléctrica apenas podem ser executadas por um electricista especializado.
- ▶ Verifique regularmente todos os componentes e partes externas da ferramenta e dos acessórios quanto a danos e ao seu funcionamento correcto.
- ▶ Não opere a ferramenta se houver danos nas peças ou se os comandos operativos não estiverem a funcionar correctamente. Mandar reparar a ferramenta no Centro de Assistência Técnica **Hilti**.

7 Transporte e armazenamento

AVISO

Perigo de incêndio. As peças da máquina quentes podem inflamar o material circundante.

- ▶ Antes de embalar ou carregar o produto num veículo, deixe o produto arrefecer completamente.

CUIDADO

Perigo de danos. Se o disco de corte estiver montado durante o transporte, poderá ser danificado.

- ▶ Transporte o sistema de corte diamantado sem disco de corte.
- ▶ Desmonte o disco de corte. → Página 59
- ▶ Guarde os discos de corte de acordo com as recomendações do fabricante.

8 Ajuda em caso de avarias

No caso de avarias que não sejam mencionadas nesta tabela ou se não conseguir resolvê-las por si mesmo, contacte o nosso Centro de Assistência Técnica **Hilti**.

Avaria	Causa possível	Solução
A ferramenta não arranca ou desliga-se por si própria.	Alimentação eléctrica interrompida.	▶ Verifique a alimentação eléctrica com uma outra ferramenta eléctrica.



Avaria	Causa possível	Solução
A ferramenta não arranca ou desliga-se por si própria.	O disjuntor diferencial PRCD disparou devido a entrada de água na ferramenta.	<ul style="list-style-type: none"> ▶ Deixe a ferramenta secar totalmente num local quente e seco. ▶ Verifique o disjuntor diferencial. → Página 58
	Cabo de rede ou ficha com defeito.	▶ Mandar verificar o cabo de rede e a ficha por um electricista especializado e, se necessário, mandar substituir.
	Interruptor on/off avariado.	▶ Mandar reparar a ferramenta no Centro de Assistência Técnica Hilti .
	Ferramenta sobrecarregada (protecção de sobrecarga activada / limite de aplicação excedido)	<ul style="list-style-type: none"> ▶ Largue o interruptor on/off e volte a accioná-lo. ▶ Seleccionar a ferramenta adequada para a utilização.
	Disjuntor térmico activado.	▶ Deixe a ferramenta arrefecer e limpe as saídas de ar.
	O bloqueio de arranque fica activo após uma interrupção na alimentação eléctrica.	▶ Desligue e volte a ligar a ferramenta.
O indicador de manutenção pisca. A ferramenta não arranca.	A ferramenta está avariada.	▶ Mandar reparar a ferramenta no Centro de Assistência Técnica Hilti .
O indicador de manutenção acende. A ferramenta não arranca.	Escovas de carvão gastas.	▶ Mandar verificar e, se necessário, substituir as escovas de carvão num electricista especializado.
Fraca performance da ferramenta.	Secção transversal do cabo de extensão insuficiente.	▶ Utilizar um cabo de extensão com secção transversal suficiente.

9 Reciclagem

Os produtos **Hilti** são, em grande parte, fabricados com materiais recicláveis. Um pré-requisito para a reciclagem é que esses materiais sejam devidamente separados. Em muitos países, a **Hilti** aceita o seu aparelho usado para reutilização. Para mais informações dirija-se ao Serviço de Clientes **Hilti** local ou ao seu vendedor.

Lama resultante do corte

Em termos ambientais, a eliminação da lama resultante do corte para cursos de água ou canalização sem pré-tratamento adequado é problemática.

- ▶ Consulte as normas locais no que se refere a este assunto.

Recomendamos o seguinte pré-tratamento:

- ▶ Recolha a lama resultante do corte (utilizando, por exemplo, um aspirador de líquidos).
- ▶ Separe da água as partículas finas na lama resultantes do corte, deixando a lama repousar ou adicionando agente de floculação.
- ▶ Elimine a matéria sólida da lama resultante do corte para um aterro.
- ▶ Neutralize a água remanescente (alcalina, valor pH > 7) da lama resultante do corte antes de a deixar entrar na canalização, adicionando uma grande quantidade de água ou um agente neutralizante ácido.

10 Garantia do fabricante

- ▶ Em caso de dúvidas quanto às condições de garantia, contacte o seu parceiro **Hilti** local.



This Product is Certified
Ce produit est homologué
Producto homologado por
Este producto está registrado





Hilti Corporation
LI-9494 Schaan
Tel.: +423 234 21 11
Fax: +423 234 29 65
www.hilti.com



2149877