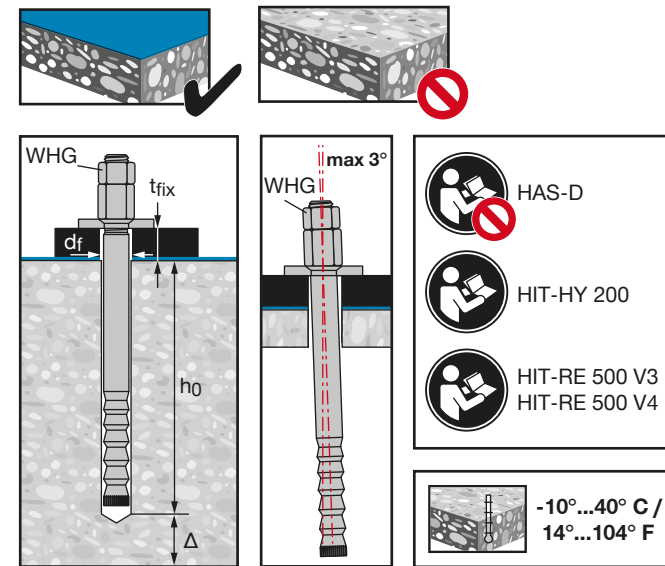
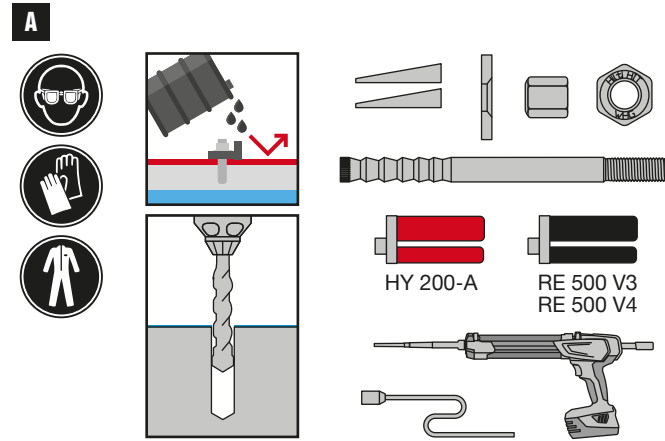


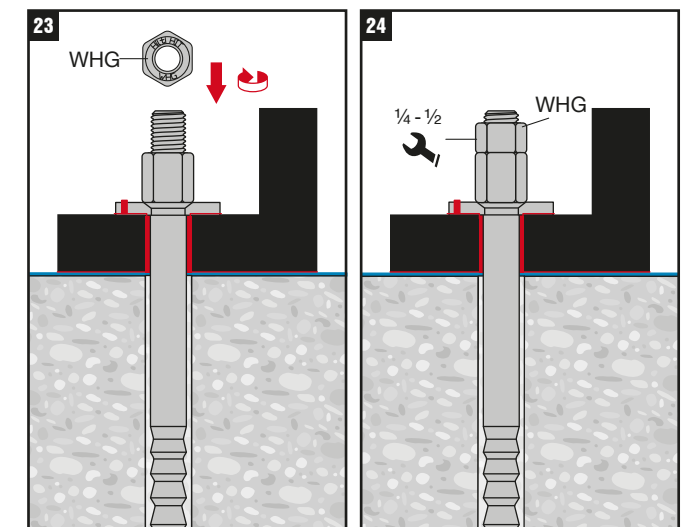
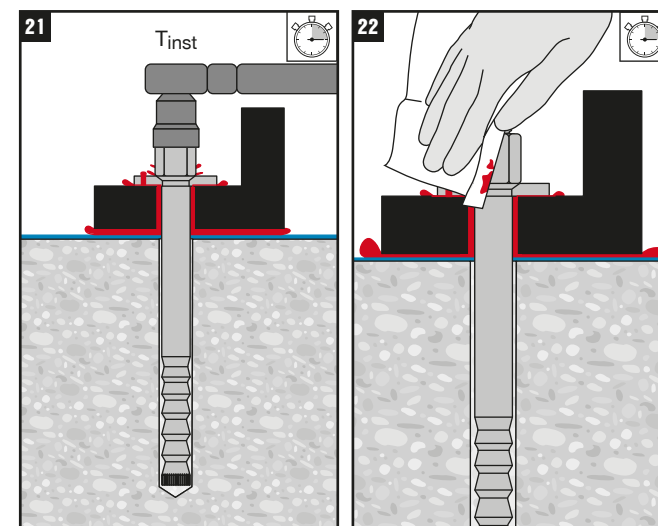
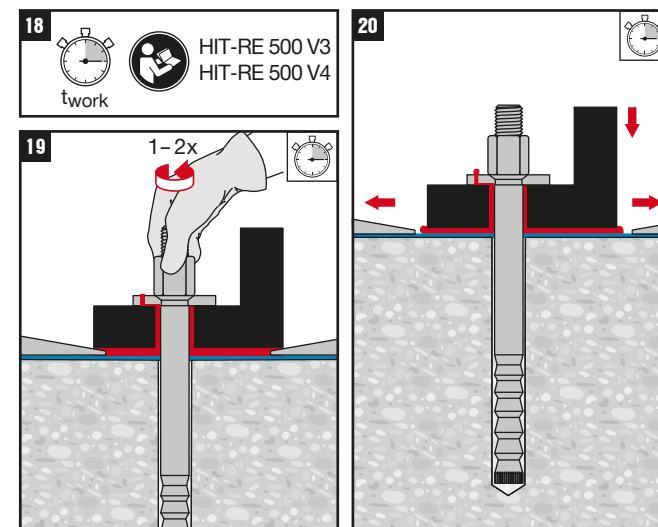
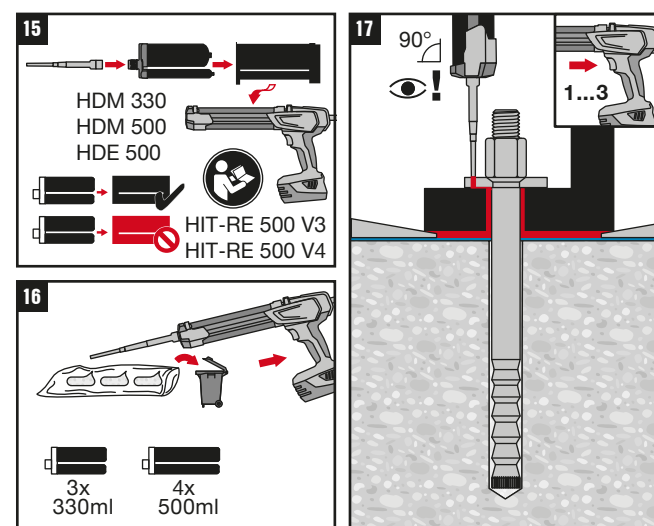
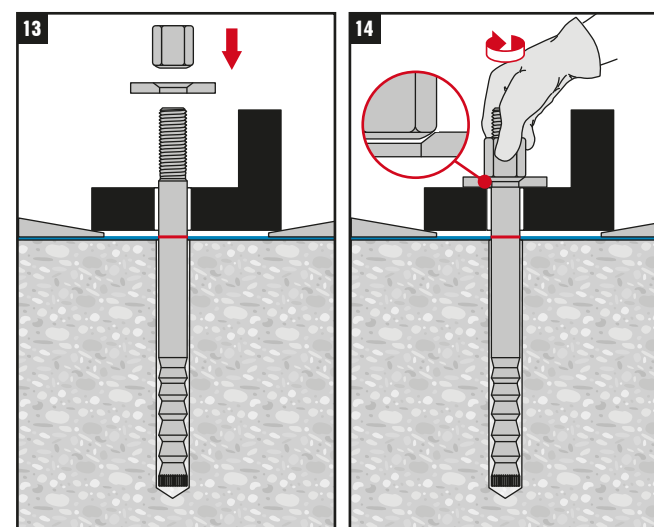
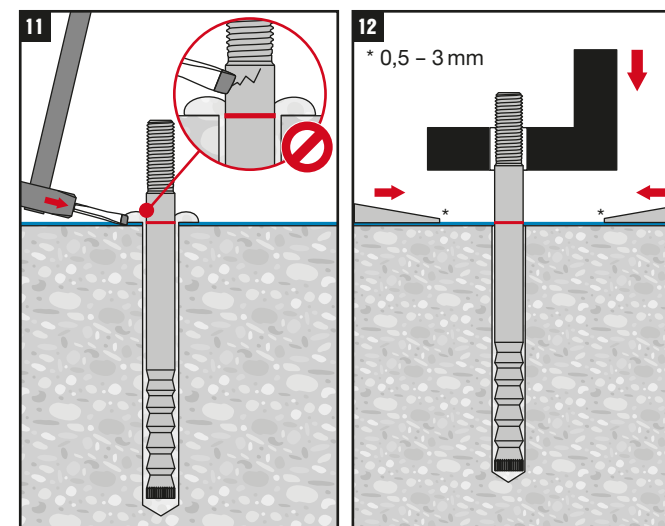
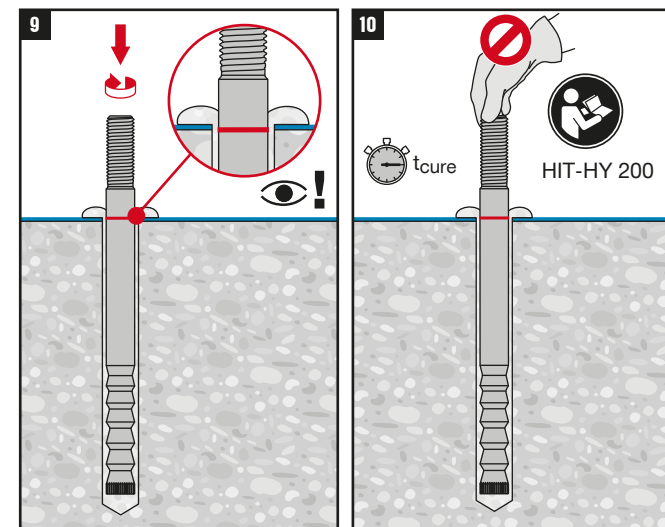
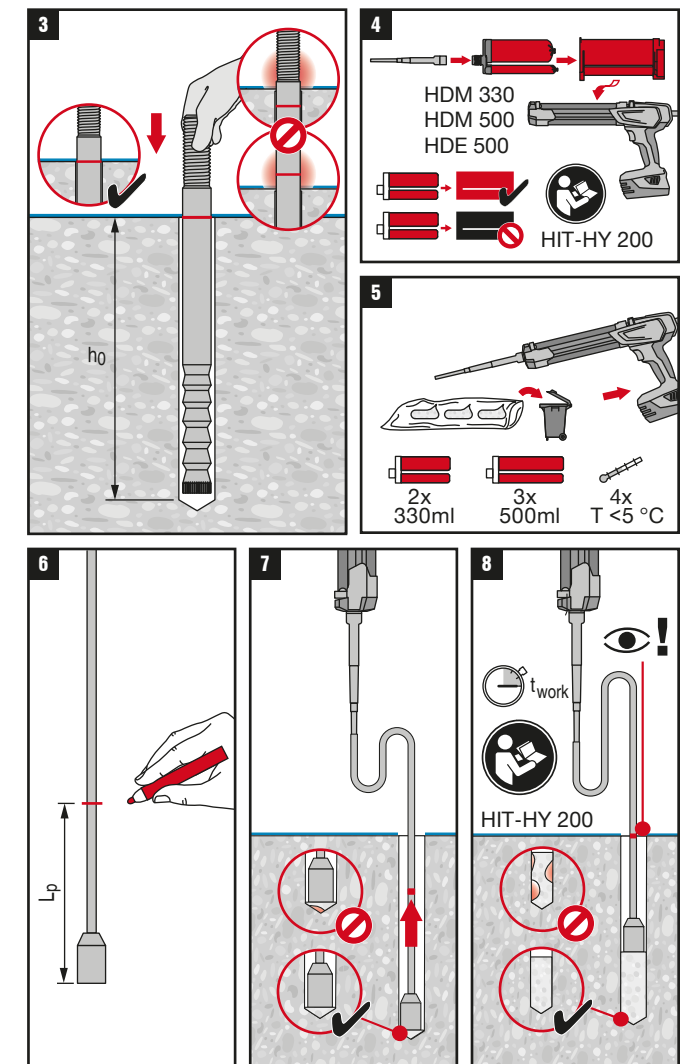
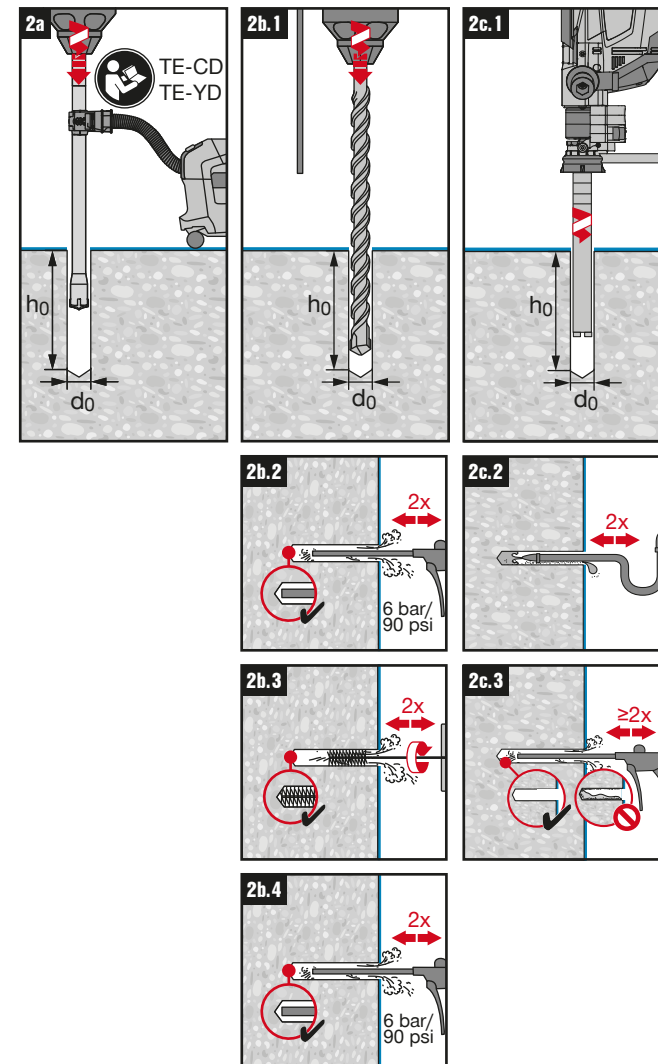
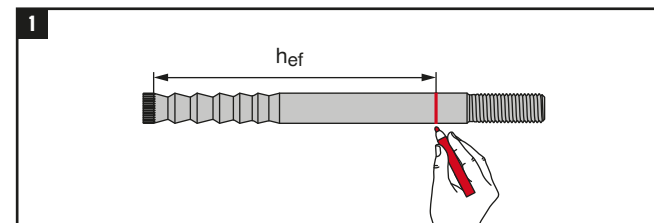


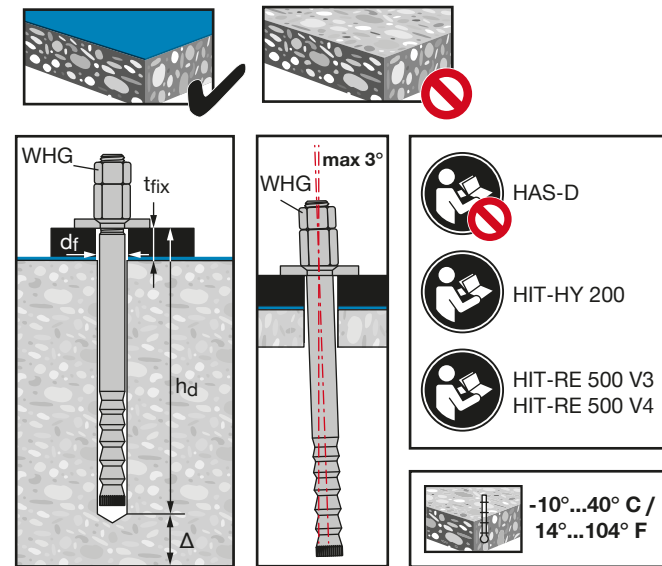
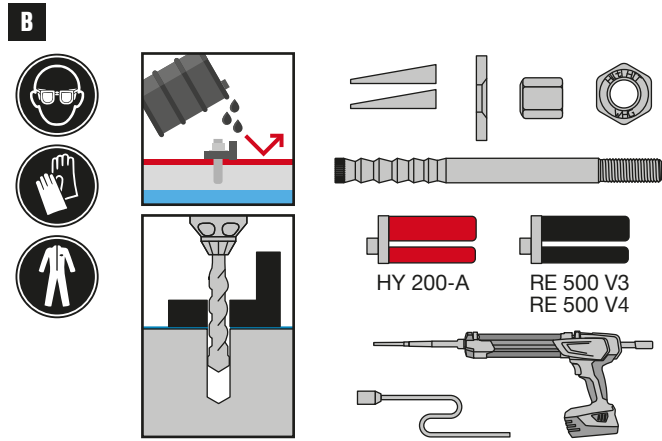
HAS-D / WHG



HAS-D	df [mm]	tfix [mm]	d0 [mm]	Δ [mm]
M12x160	14	12...25	14	≥ 28
M12x185	14	12...50	14	≥ 28
M16x200	18	16...30	18	≥ 36
M16x220	18	16...50	18	≥ 36
M16x245	18	16...75	18	≥ 36
M16x275	18	16...105	18	≥ 36
M20x280	24	20...50	24	≥ 48

HAS-D	h0 [mm]	hef [mm]	Lp [mm]	SW [mm]	Tinst [Nm]
M12x160	132 - tfix	125 - tfix	70 - tfix	18	30
M12x185	157 - tfix	150 - tfix	90 - tfix	18	30
M16x200	165 - tfix	155 - tfix	110 - tfix	24	50
M16x220	185 - tfix	175 - tfix	125 - tfix	24	50
M16x245	210 - tfix	200 - tfix	150 - tfix	24	50
M16x275	240 - tfix	230 - tfix	180 - tfix	24	50
M20x280	232 - tfix	220 - tfix	165 - tfix	30	80





HAS-D	df [mm]	tfix [mm]	d0 [mm]	hd [mm]	Δ [mm]	SW [mm]	Tinst [Nm]
M12x160	16	12..25	14	132	≥ 28	18	30
M12x185	16	12..50	14	157	≥ 28	18	30
M16x200	20	16..30	18	165	≥ 36	24	50
M16x220	20	16..50	18	185	≥ 36	24	50
M16x245	16	16..75	18	210	≥ 36	24	50
M16x275	16	16...105	18	240	≥ 36	24	50
M20x280	26	20..50	24	232	≥ 48	30	80

HAS-D	Lt [mm]
M12x160	99 + tfix [mm] / 10
M12x185	119 + tfix [mm] / 10
M16x200	129 + tfix [mm] / 10
M16x220	147 + tfix [mm] / 10
M16x245	167 + tfix [mm] / 10
M16x275	197 + tfix [mm] / 10
M20x280	183 + tfix [mm] / 10

