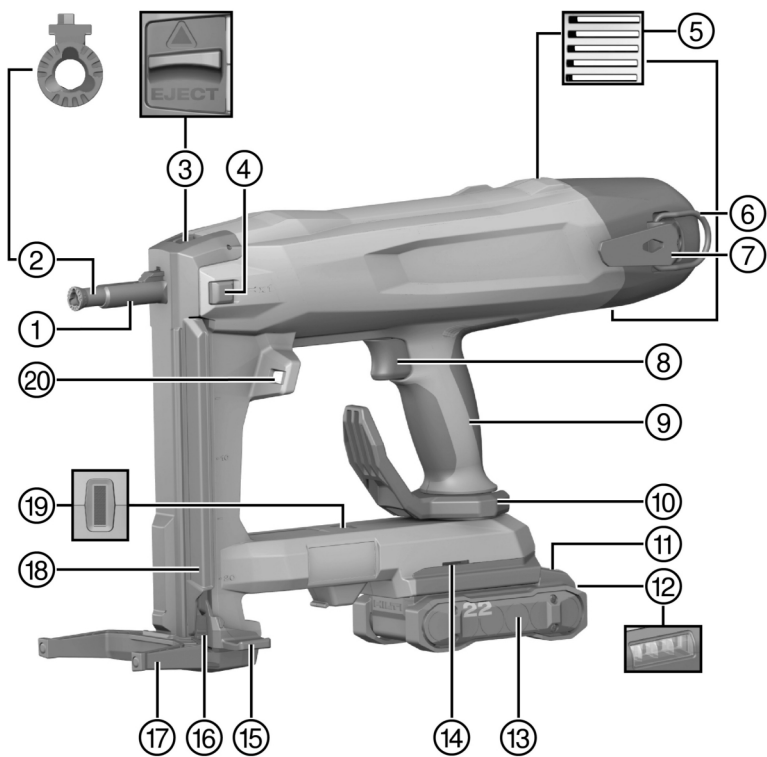




BX 3-22
BX 3-L-22
BX 3-ME-22
NURON

English
עברית

1
19



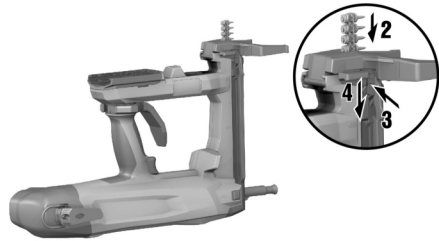
2



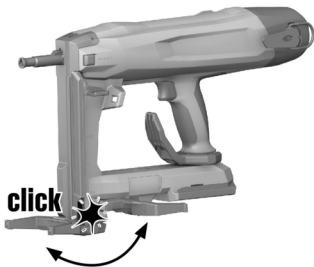
3

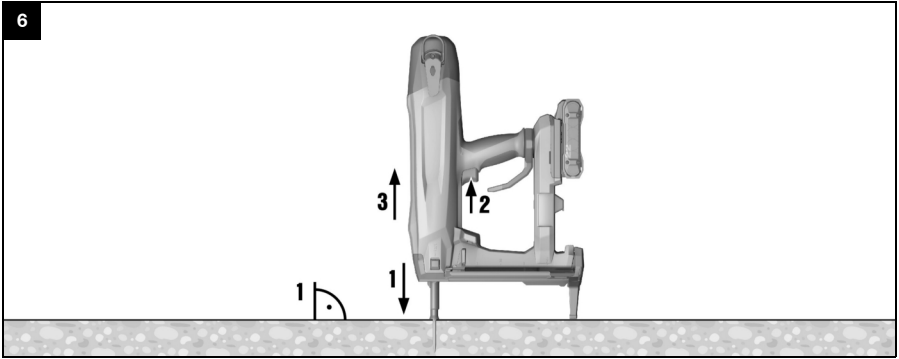


4



5





BX 3-22

BX 3-L-22

BX 3-ME-22

en	Original operating instructions	1
he	הוראות הפעלה מקוריות	19

Original operating instructions

1 Information about the operating instructions

1.1 About these operating instructions

- **Warning!** Read and understand all accompanying documentation, including but not limited to instructions, safety warnings, illustrations, and specifications provided with this product. Familiarize yourself with all the instructions, safety warnings, illustrations, specifications, components, and functions of the product before use. Failure to do so may result in electric shock, fire, and/or serious injury. Save all warnings and instructions for future reference.
- products are designed for professional users and only trained, authorized personnel are permitted to operate, service and maintain the products. This personnel must be specifically informed about the possible hazards. The product and its ancillary equipment can present hazards if used incorrectly by untrained personnel or if used not in accordance with the intended use.
- The accompanying documentation corresponds to the current state of the art at the time of printing. Please always check for the latest version on the product's page on Hilti's website. To do this, follow the link or scan the QR code in this documentation, marked with the symbol
- Ensure that these operating instructions are with the product when it is given to other persons.

1.2 Explanation of symbols

1.2.1 Warnings

Warnings alert persons to hazards that occur when handling or using the product. The following signal words are used:

DANGER

DANGER !

- ▶ Draws attention to imminent danger that will lead to serious personal injury or fatality.

WARNING

WARNING !

- ▶ Draws attention to a potential threat of danger that can lead to serious injury or fatality.

CAUTION

CAUTION !

- ▶ Draws attention to a potentially dangerous situation that could lead to personal injury or damage to the equipment or other property.

1.2.2 Symbols in the operating instructions

The following symbols are used in these operating instructions:

	Comply with the operating instructions
	Instructions for use and other useful information
	Dealing with recyclable materials
	Do not dispose of electric equipment and batteries as household waste
	Hilti Li-ion battery
	Hilti charger

1.2.3 Symbols in illustrations

The following symbols are used in illustrations:

- 2** These numbers refer to the illustrations at the beginning of these operating instructions.



3	The numbering reflects the sequence of operations shown in the illustrations and may deviate from the steps described in the text.
11	Item reference numbers are used in the overview illustration and refer to the numbers used in the key in the product overview section.
	These characters are intended to specifically draw your attention to certain points when handling the product.

1.3 Product-dependent symbols

1.3.1 Symbols on the product

The following symbols can be used on the product:

	General symbol for "must do"
	Wear eye protection
	Wear hearing protection
	Wear a hard hat
	The product supports near-field communication (NFC) technology compatible with iOS and Android platforms.
Li-Ion	Li-ion battery
	Never use the battery as a striking tool.
	Do not drop the battery. Never use a battery that has suffered an impact or is damaged in any other way.

1.4 Product information

products are designed for professional users and only trained, authorized personnel are permitted to operate, service and maintain the products. This personnel must be specifically informed about the possible hazards. The product and its ancillary equipment can present hazards if used incorrectly by untrained personnel or if used not in accordance with the intended use.

The type designation and serial number are printed on the rating plate.

- Write down the serial number in the table below. You will be required to state the product details when contacting Hilti Service or your local Hilti organization to inquire about the product.

Product information

Fastening tool	BX 3-22 BX 3-L-22 BX 3-ME-22
Generation	03
Serial no.	

1.5 Declaration of conformity

The manufacturer declares, on his sole responsibility, that the product described here complies with the applicable legislation and standards. A copy of the declaration of conformity can be found at the end of this documentation.

The technical documentation is filed here:

Hilti Entwicklungsgesellschaft mbH | Tool Certification | Hiltistrasse 6 | D-86916 Kaufering, Germany

2 Safety

2.1 General power tool safety warnings

⚠ WARNING Read all safety warnings, instructions, illustrations and specifications provided with this power tool. Failure to follow all instructions listed below may result in electric shock, fire and/or serious injury. **Save all warnings and instructions for future reference.**



The term "power tool" in the warnings refers to your mains-operated (corded) power tool or battery-operated (cordless) power tool.

Work area safety

- ▶ **Keep work area clean and well lit.** Cluttered or dark areas invite accidents.
- ▶ **Do not operate power tools in explosive atmospheres, such as in the presence of flammable liquids, gases or dust.** Power tools create sparks which may ignite the dust or fumes.
- ▶ **Keep children and bystanders away while operating a power tool.** Distractions can cause you to lose control.

Electrical safety

- ▶ **Power tool plugs must match the outlet. Never modify the plug in any way. Do not use any adapter plugs with earthed (grounded) power tools.** Unmodified plugs and matching outlets will reduce risk of electric shock.
- ▶ **Avoid body contact with earthed or grounded surfaces, such as pipes, radiators, ranges and refrigerators.** There is an increased risk of electric shock if your body is earthed or grounded.
- ▶ **Do not expose power tools to rain or wet conditions.** Water entering a power tool will increase the risk of electric shock.
- ▶ **Do not abuse the cord. Never use the cord for carrying, pulling or unplugging the power tool. Keep cord away from heat, oil, sharp edges or moving parts.** Damaged or entangled cords increase the risk of electric shock.
- ▶ **When operating a power tool outdoors, use an extension cord suitable for outdoor use.** Use of a cord suitable for outdoor use reduces the risk of electric shock.
- ▶ **If operating a power tool in a damp location is unavoidable, use a residual current device (RCD) protected supply.** Use of an RCD reduces the risk of electric shock.

Personal safety

- ▶ **Stay alert, watch what you are doing and use common sense when operating a power tool. Do not use a power tool while you are tired or under the influence of drugs, alcohol or medication.** A moment of inattention while operating power tools may result in serious personal injury.
- ▶ **Use personal protective equipment. Always wear eye protection.** Protective equipment such as a dust mask, non-skid safety shoes, hard hat or hearing protection used for appropriate conditions will reduce personal injuries.
- ▶ **Prevent unintentional starting. Ensure the switch is in the off-position before connecting to power source and/or battery pack, picking up or carrying the tool.** Carrying power tools with your finger on the switch or energising power tools that have the switch on invites accidents.
- ▶ **Remove any adjusting key or wrench before turning the power tool on.** A wrench or a key left attached to a rotating part of the power tool may result in personal injury.
- ▶ **Do not overreach. Keep proper footing and balance at all times.** This enables better control of the power tool in unexpected situations.
- ▶ **Dress properly. Do not wear loose clothing or jewellery. Keep your hair and clothing away from moving parts.** Loose clothes, jewellery or long hair can be caught in moving parts.
- ▶ **If devices are provided for the connection of dust extraction and collection facilities, ensure these are connected and properly used.** Use of dust collection can reduce dust-related hazards.
- ▶ **Do not let familiarity gained from frequent use of tools allow you to become complacent and ignore tool safety principles.** A careless action can cause severe injury within a fraction of a second.

Power tool use and care

- ▶ **Do not force the power tool. Use the correct power tool for your application.** The correct power tool will do the job better and safer at the rate for which it was designed.
- ▶ **Do not use the power tool if the switch does not turn it on and off.** Any power tool that cannot be controlled with the switch is dangerous and must be repaired.
- ▶ **Disconnect the plug from the power source and/or remove the battery pack, if detachable, from the power tool before making any adjustments, changing accessories, or storing power tools.** Such preventive safety measures reduce the risk of starting the power tool accidentally.
- ▶ **Store idle power tools out of the reach of children and do not allow persons unfamiliar with the power tool or these instructions to operate the power tool.** Power tools are dangerous in the hands of untrained users.
- ▶ **Maintain power tools and accessories. Check for misalignment or binding of moving parts, breakage of parts and any other condition that may affect the power tool's operation. If damaged, have the power tool repaired before use.** Many accidents are caused by poorly maintained power tools.



- ▶ **Keep cutting tools sharp and clean.** Properly maintained cutting tools with sharp cutting edges are less likely to bind and are easier to control.
- ▶ **Use the power tool, accessories and tool bits etc. in accordance with these instructions, taking into account the working conditions and the work to be performed.** Use of the power tool for operations different from those intended could result in a hazardous situation.
- ▶ **Keep handles and grasping surfaces dry, clean and free from oil and grease.** Slippery handles and grasping surfaces do not allow for safe handling and control of the tool in unexpected situations.

Battery tool use and care

- ▶ **Recharge only with the charger specified by the manufacturer.** A charger that is suitable for one type of battery pack may create a risk of fire when used with another battery pack.
- ▶ **Use power tools only with specifically designated battery packs.** Use of any other battery packs may create a risk of injury and fire.
- ▶ **When battery pack is not in use, keep it away from other metal objects, like paper clips, coins, keys, nails, screws or other small metal objects, that can make a connection from one terminal to another.** Shorting the battery terminals together may cause burns or a fire.
- ▶ **Under abusive conditions, liquid may be ejected from the battery; avoid contact. If contact accidentally occurs, flush with water. If liquid contacts eyes, additionally seek medical help.** Liquid ejected from the battery may cause irritation or burns.
- ▶ **Do not use a battery pack or tool that is damaged or modified.** Damaged or modified batteries may exhibit unpredictable behaviour resulting in fire, explosion or risk of injury.
- ▶ **Do not expose a battery pack or tool to fire or excessive temperature.** Exposure to fire or temperature above 130° C (265 °F) may cause explosion.
- ▶ **Follow all charging instructions and do not charge the battery pack or tool outside the temperature range specified in the instructions.** Charging improperly or at temperatures outside the specified range may damage the battery and increase the risk of fire.

Service

- ▶ **Have your power tool serviced by a qualified repair person using only identical replacement parts.** This will ensure that the safety of the power tool is maintained.
- ▶ **Never service damaged battery packs.** Service of battery packs should only be performed by the manufacturer or authorized service providers.

2.2 Tacker safety warnings

- ▶ **Always assume that the tool contains fasteners.** Careless handling of the fastening tool can result in unexpected firing of nails causing personal injury.
- ▶ **Do not point the tool towards yourself or anyone nearby.** Unexpected triggering will discharge the fastener causing an injury.
- ▶ **Do not actuate the tool unless the tool is placed firmly against the workpiece.** If the tool is not in contact with the workpiece, the fastener may be deflected away from your target.
- ▶ **Disconnect the tool from the power source when the fastener jams in the tool.** While removing a jammed fastener, the fastener may be accidentally activated if it is plugged in.
- ▶ **Use caution while removing a jammed fastener.** The mechanism may be under compression and the fastener may be forcefully discharged while attempting to free a jammed condition.
- ▶ **When fastening electrical cables, make sure the cables are not energized. Hold the fastening tool only by insulated gripping surfaces. Use only fasteners designed for electrical cable installations. Inspect that the fastener has not damaged the insulation of the electrical cable.** A fastener that damages the insulation of electric cables can lead to electric shock and fire hazards.

2.3 Safety instructions

Requirements to be met by users

- ▶ Only authorized, appropriately trained persons may operate or service this product.

Personal protective equipment

- ▶ You and all other persons in the vicinity must wear suitable eye protection, ear protection and a hard hat while the tool is in use.

Personal safety

- ▶ Observe the information printed in the operating instructions concerning operation, care and maintenance.
- ▶ Stay alert, watch what you are doing and use common sense when operating a fastening tool. Do not use the product when you are tired or under the influence of drugs, alcohol or medication. Take a break if



you experience pain or feel unwell. A moment of inattention while operating the fastening tool can result in serious injury.

- ▶ Avoid awkward postures. Make sure you work from a safe stance and stay in balance at all times.
- ▶ Wear non-skid shoes.
- ▶ Never pull the fastener guide or fastener back with your hand.
 - ▶ Under certain circumstances, the product could be made ready to fire by pulling the fastener guide or the fastener back by hand. When the tool is ready to fire, fasteners or the piston could accidentally be driven into parts of the body.
- ▶ Keep your arms slightly bent while operating the product (do not straighten your arms).
- ▶ Keep other people away from the working area, especially children.
- ▶ Risk of injury by falling tools and/or accessories. Before starting work, check that the battery and installed accessories are secure.
- ▶ Keep the air vents clear at all times. Risk of burn injuries due to blocked air vents!
- ▶ Do not look directly into the light source (LEDs) of the power tool and do not aim the beam at other persons' faces. Risk of dazzling or eye damage.

Fastening tool use and care

- ▶ Danger of fasteners penetrating right through! Before driving fasteners, check to make sure that no one is present behind or below the object into which the fastener is to be driven.
- ▶ Use the right product for the job. Do not use the product for purposes for which it was not intended. Use it only as directed and when in faultless condition.
- ▶ Never leave a loaded product unattended.
- ▶ Always unload the product (remove fasteners) before cleaning, maintenance, changing the fastener guide, before work breaks and before storing the product.
- ▶ When not in use, the product must be unloaded and stored in a locked, dry place where it is inaccessible to children.
- ▶ Check the product and its accessories for damage. Check that moving parts function faultlessly, without sticking, and that no parts are damaged.
 - ▶ All parts must be fitted correctly and fulfill all conditions necessary for correct operation of the product. Damaged parts must be properly repaired or replaced by **Hilti** Service unless otherwise stated in the operating instructions.
- ▶ Before beginning work, check the working area for concealed electric cables or gas and water pipes. External metal parts of the product could give you an electric shock or cause an explosion if you accidentally damage an electric cable or a gas or water pipe.
- ▶ Do not attempt to drive fasteners into unsuitable materials.
 - ▶ Unsuitable materials include welded steel and cast steel, cast iron, glass, marble, plastic, bronze, brass, copper, insulating material, hollow brick, ceramic brick, thin sheet metal (< 4 mm) and cellular concrete. Driving a fastener into these materials may cause the fastener to break, shatter or to be driven right through.
- ▶ Pull the trigger only when the product is fully pressed against the working surface at right angles.
- ▶ When driving fasteners, always hold the product at right angles to the working surface in order to prevent the fastener from being deflected by the material.
- ▶ Keep the grips dry, clean and free from oil and grease.
- ▶ Never drop the product.
- ▶ Do not use the magazine as a grip.
- ▶ Do not use the product in places where there is a risk of fire or explosion, unless the product is specially approved for this type of use.
- ▶ Never drive fasteners into existing holes unless this is recommended by **Hilti** (e.g. DX-Kwik).

Mechanical safety rules

- ▶ Do not tamper with or modify the product or accessories, especially the piston.
- ▶ Use only fasteners of a type approved for use with the product.

Thermal safety rules

- ▶ Do not exceed the recommended maximum fastener driving rate.
- ▶ If the product has overheated, allow it to cool down.
- ▶ Do not dismantle the product while it is hot. Allow the product to cool down.



2.4 Careful handling and use of batteries

- ▶ **Comply with the following safety instructions for the safe handling and use of Li-ion batteries.** Failure to comply can lead to skin irritation, severe corrosive injury, chemical burns, fire and/or explosion.
- ▶ Use only batteries that are in perfect working order.
- ▶ Treat batteries with care in order to avoid damage and prevent leakage of fluids that are extremely harmful to health!
- ▶ Do not under any circumstances modify or tamper with batteries!
- ▶ Do not disassemble, crush or incinerate batteries and do not subject them to temperatures over 80 °C (176 °F).
- ▶ Never use or charge a battery that has suffered an impact or been damaged in any other way. Check your batteries regularly for signs of damage.
- ▶ Never use recycled or repaired batteries.
- ▶ Never use the battery or a battery-operated power tool as a striking tool.
- ▶ Never expose batteries to the direct rays of the sun, elevated temperature, sparking, or open flame. This can lead to explosions.
- ▶ Do not touch the battery poles with your fingers, tools, jewelry, or other electrically conductive objects. This can damage the battery and also cause material damage and personal injury.
- ▶ Keep batteries away from rain, moisture and liquids. Penetrating moisture can cause short circuits, electric shock, burns, fire and explosions.
- ▶ Use only chargers and power tools approved for the specific battery type. Read and follow the relevant operating instructions.
- ▶ Do not use or store the battery in explosive environments.
- ▶ If the battery is too hot to touch, it may be defective. Put the battery in a place where it is clearly visible and where there is no risk of fire, at an adequate distance from flammable materials. Allow the battery to cool down. If it is still too hot to touch after an hour, the battery is faulty. Consult **Hilti** Service or read the document entitled "Instructions on safety and use for **Hilti** Li-ion batteries".



Observe the special guidelines applicable to the transport, storage and use of lithium-ion batteries. Read the instructions on safety and use of **Hilti** Li-ion batteries that you can access by scanning the QR code at the end of these operating instructions.

2.5 Careful handling and use of button-cell batteries

- ▶ **Never swallow button-cell batteries.** Severe internal caustic burns or death can result within 2 hours of swallowing a button-cell battery.
- ▶ **Make sure that button-cell batteries are inaccessible to children.** Call a poison control center to obtain information on treatment if there is any suspicion that a button-cell battery has been swallowed or inserted into a body orifice.
- ▶ **When replacing the button-cell battery, make sure that the correct procedure is followed. Make sure that the button-cell battery is inserted right way round for correct polarity (+ and -).** There is a risk of explosion.
- ▶ **Always completely close the compartment of the button-cell battery.** If the button-cell battery compartment does not close securely, do not keep the product in use and remove the button-cell battery. Keep the button cell battery out of reach of children.
- ▶ **Do not mix old and new button-cell batteries, different makes or button-cell battery types, such as alkaline, zinc-carbon or rechargeable button-cell batteries.**
- ▶ **Use only the button-cell batteries stated in these operating instructions.** Do not use any other button-cell batteries or other power supply.
- ▶ **Do not attempt to recharge non-rechargeable button-cell batteries.** The button-cell battery can develop a leak, explode, catch fire and injure persons.
- ▶ **Do not force-discharge, charge, disassemble or incinerate the button-cell battery. Do not heat the button-cell battery to a temperature above the maximum temperature stated by the manufacturer.** Otherwise there is a risk of injury by degassing, leakage or explosion leading to chemical burns.
- ▶ **Remove the button-cell batteries from products that will be out of use for a lengthy period and recycle them or dispose of them immediately in accordance with your local regulations.** Do NOT dispose of button-cell batteries in household waste and do not incinerate them.
- ▶ **Remove discharged button-cell batteries and recycle or dispose of them immediately in accordance with your local regulations. Keep button-cell batteries out of reach of children. Do NOT**

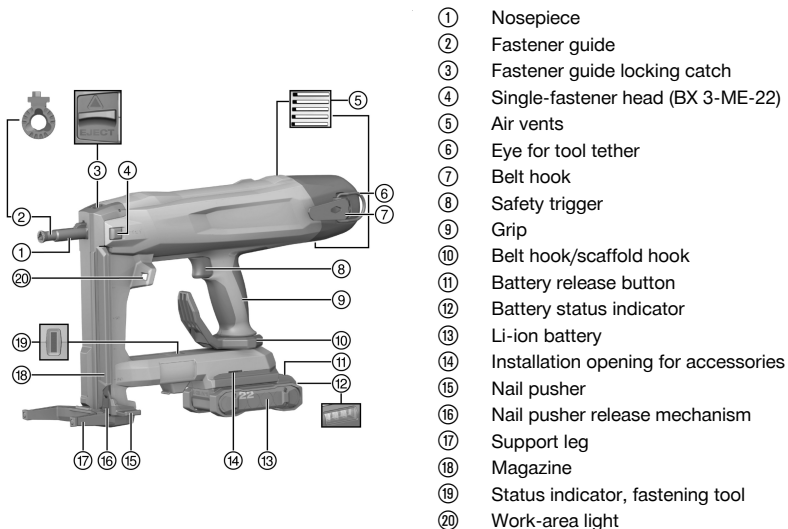


dispose of button-cell batteries in household waste and do not incinerate them. Discharged button-cell batteries can develop leaks and so damage the product or injure persons.

- ▶ Even discharged button-cell batteries can lead to serious injuries or death. Do not treat discharged button-cell batteries with less care than new batteries.
- ▶ **Do not bring a damaged button-cell battery into contact with water.** In the presence of water, escaping lithium can produce hydrogen and so lead to a fire or an explosion, or cause injury to persons.

3 Description

3.1 Product overview



- ① Nosepiece
- ② Fastener guide
- ③ Fastener guide locking catch
- ④ Single-fastener head (BX 3-ME-22)
- ⑤ Air vents
- ⑥ Eye for tool tether
- ⑦ Belt hook
- ⑧ Safety trigger
- ⑨ Grip
- ⑩ Belt hook/scaffold hook
- ⑪ Battery release button
- ⑫ Battery status indicator
- ⑬ Li-ion battery
- ⑭ Installation opening for accessories
- ⑮ Nail pusher
- ⑯ Nail pusher release mechanism
- ⑰ Support leg
- ⑱ Magazine
- ⑲ Status indicator, fastening tool
- ⑳ Work-area light

3.1.1 Equipment

The fastener guide and the support leg are product-dependent. The support legs and fastener guides with which the product is equipped are listed in the table below.

Further information can be found in the case lid, in your **Hilti Store** or at: www.hilti.group

Product	BX 3-22	BX 3-L-22	BX 3-ME-22
Fastener guide	X-FG B3 IF 02	X-FG B3 IF 02	X-FG B3 ME
Support leg	X-SL B3 03	X-SL B3 03	X-SL B3 ME 03

3.2 Intended use

The product is a hand-held, cordless fastening tool. It is designed to drive specially manufactured fasteners into concrete, steel, masonry, sand-lime block and other materials suitable for use of the direct fastening technique. The product is also designed to fasten electrical cables with clips if the appropriate fasteners are used. Use only approved fasteners in combination with their corresponding fastener guide (see the section headed "Technical data").

The fastening tool, battery and fasteners together form a technical entity. This means that trouble-free fastening with this fastening tool can be ensured only when the fasteners specially manufactured for the purpose by **Hilti** and the chargers and batteries recommended by **Hilti** are used. The fastening and application recommendations made by **Hilti** apply only when these conditions are observed.

- ▶ The fastening tool is for hand-held use only.
- ▶ Misuse must be ruled out. Misuse is understood to include driving fasteners into very soft materials (e.g. wood) or into excessively hard materials (e.g. high-strength steel or very hard natural stone).



- For this product, use only **Hilti** Nuron lithium-ion batteries of the B 22 series. For optimum performance, **Hilti** recommends the batteries stated in the table at the end of these operating instructions for this product.
- For these batteries, use only **Hilti** chargers of the type series stated in the table at the end of these operating instructions.

3.3 Safety devices

When using the nail magazine, the nail detector prevents triggering without a nail loaded, which could damage the fastening tool.

The contact pressure safety device is intended to prevent the free flying of nails (i.e. actuation and driving a nail when the nosepiece is not in contact with the workpiece). When using a nail magazine, the fastening tool can be pressed against the surface and triggered only when a nail is loaded in the tool.

3.4 Features

The fastening tool is equipped with an ergonomic, non-slip and vibration-absorbing grip, a belt and scaffold hook and a support leg. The fastening tool is protected against overload by electronic overload protection and from overheating by temperature monitoring.

3.5 Status indicator, fastening tool

The status indicator of the fastening tool provides information about the status of the fastening tool.

Status	Meaning
LED is off	The fastening tool is switched off
The LED shows green.	The fastening tool is switched on and ready for use
The LED flashes green.	Battery too hot or battery too weak
The LED flashes green every 3 seconds.	The fastening tool is in stand-by mode. Press the nose of the tool against the working surface to switch it on
The LED lights blue.	The fastening tool is switched on, nail strips require to be loaded
LED flashes blue.	The fastening tool is switched on, the magazine is completely empty
The LED flashes yellow.	Fastening tool is too hot, see Troubleshooting
The LED flashes red.	Malfunction; see "Troubleshooting"
The LED shows red.	Malfunction; see "Troubleshooting"

3.6 Status indicators of the Li-ion battery

Hilti Nuron Li-ion batteries can indicate state of charge, fault messages and the battery's state of health.

3.6.1 Indicators for state of charge and fault messages

WARNING

Risk of injury by a falling battery!

- ▶ If the release button is pressed with a battery inserted in the product, subsequently check that the battery is correctly re-engaged and secure.

Short-press the release button of the battery to get whichever of the following status indications is applicable at the time.

State of charge and, if applicable, faults are indicated constantly as long as the connected product is switched on.

Status	Meaning
Four (4) LEDs show constantly green	State of charge: 100 % to 71 %
Three (3) LEDs show constantly green	State of charge: 70 % to 51 %
Two (2) LEDs show constantly green	State of charge: 50 % to 26 %
One (1) LED shows constantly green	State of charge: 25 % to 10 %



Status	Meaning
One (1) LED slow-flashes green	State of charge: < 10 %
One (1) LED quick-flashes green	The Li-ion battery is completely discharged. Recharge the battery. If the LED again starts quick-flashing after the battery has been charged, consult Hilti Service .
One (1) LED quick-flashes yellow	The Li-ion battery or the product in which it is inserted is overloaded, too hot or too cold, or experiencing some other fault. Bring the product and the battery to the recommended working temperature and do not overload the product when it is in use. If the message persists, consult Hilti Service .
One (1) LED shows yellow	The Li-ion battery and the product in which it is inserted are not compatible. Consult Hilti Service .
One (1) LED quick-flashes red	The Li-ion battery is locked and cannot be used. Consult Hilti Service .

3.6.2 Indicators showing the battery's state of health

To check the battery's state of health, press the release button and hold it down for longer than three seconds. The system does not detect a potential malfunction of the battery due to misuse, for example battery dropped or pierced, external heat damage, etc.

Status	Meaning
All LEDs show in sequence, followed by one (1) LED showing constantly green.	The battery can remain in use.
All LEDs show in sequence, followed by one (1) LED quick-flashing yellow.	The check to ascertain the battery's state of health did not complete. Repeat the procedure, or consult Hilti Service .
All LEDs show in sequence, followed by one (1) LED showing constantly red.	If a connected product can still be used, the remaining battery capacity is below 50 %. If a connected product can no longer be used, the battery has reached the end of its useful life and has to be replaced. Consult Hilti Service .

3.7 Bluetooth® (optional)

The Bluetooth® word mark and logos are registered trademarks owned by Bluetooth SIG, Inc. and any use of such marks by **Hilti Corporation** is under license.

3.7.1 Intended use

This product is equipped with a Bluetooth® Low Energy Module which enables the status checking of a power tool and the transfer of settings and data based on Bluetooth® wireless technology, a data transfer system by which the two Bluetooth-enabled products can communicate with each other over a short distance. This product is designed to enable communication and data transfers between smart phones and **Hilti** gateway. The product can submit data attributes such as location of the receiving device, runtime, total application count, application count during interval and timestamp of transfer. Information about the connectivity functions offered can be found in the respective **Hilti** application (app) or in the operating instructions of the power tool you are using.

3.7.2 Data transmission via Bluetooth®

The transmission interval can vary, depending on the available power source of the product. The signal range may vary greatly depending on external conditions, including the receiving device used. The Bluetooth® range may be significantly weaker inside closed rooms and through metallic barriers (e.g. walls, shelving units, cases, etc.). Depending on ambient conditions, several transmission intervals may be required before the tool is detected.

If the tool is not detected, check the following:

- Is the distance to the mobile terminal device too great?
→ Reduce the distance between the mobile terminal device and the tool



3.7.3 Installing and setting up the app

In order to be able to use the connectivity functions, you first have to install the respective **Hilti** app.

(1.) Download the app from an appropriate app store.



You will require a user account on the corresponding app store to do this.

(2.) After starting the app for the first time, please either log in with your account or register.

(3.) The display of your mobile terminal device will show you all the subsequent steps required to connect the power tool to the mobile terminal device.



First, fully complete the tutorial for the app. This will give you a better overview of how the connection is made and how the connectivity functions are used.

3.7.4 Bluetooth

At the end of the documentation can be found country-specific approval symbols for Bluetooth.

3.8 Deep discharge protection

The product has a hibernation mode to protect the Li-ion battery from deep discharge. This prevents deep discharge of the battery.

- Deep discharge protection is activated after 360 minutes.
- To deactivate deep discharge protection, remove and then reinsert the battery.

3.9 Items supplied

fastening tool, operating instructions.

Other system products approved for use with this product can be found at your local **Hilti Store** or at: www.hilti.group

4 Technical data

	BX 3-22	BX 3-L-22	BX 3-ME-22
Weight in accordance with EPTA Procedure 01, without battery	3.5 kg	3.5 kg	3.4 kg
Nail length (collated nails)	14 mm ... 30 mm	14 mm ... 36 mm	14 mm ... 24 mm
Nail length (single nails)	•/•	•/•	30 mm ... 36 mm
Nail diameter	3 mm	2.75 mm ... 3.0 mm	3 mm
Magazine capacity	30 nails	30 nails	20 nails
Compression stroke	12 mm	12 mm	12 mm
Contact pressure	50 N ... 70 N	50 N ... 70 N	50 N ... 70 N
Recommended maximum fastener driving rate at room temperature	700/h	700/h	700/h
Rated voltage	21.6 V	21.6 V	21.6 V
Maximum emitted transmission power, Bluetooth®	8 dBm	8 dBm	8 dBm
Bluetooth frequency range	2,402 MHz ... 2,480 MHz	2,402 MHz ... 2,480 MHz	2,402 MHz ... 2,480 MHz
Storage temperature	-20 °C ... 70 °C	-20 °C ... 70 °C	-20 °C ... 70 °C
Ambient temperature for operation	-17 °C ... 60 °C	-17 °C ... 60 °C	-17 °C ... 60 °C



4.1 Battery

Battery operating voltage	21.6 V
Weight, battery	See the end of these operating instructions
Ambient temperature for operation	-17 °C ... 60 °C
Storage temperature	-20 °C ... 40 °C
Battery charging starting temperature	-10 °C ... 45 °C

4.2 Noise information and vibration values in accordance with EN 62841

The sound pressure and vibration values given in these instructions were measured in accordance with a standardized test and can be used to compare one power tool with another. They can also be used for a preliminary assessment of exposure.

The data given represent the main applications of the power tool. However, if the power tool is used for different applications, with different accessory tools, or is poorly maintained, the data can vary. This can significantly increase exposure over the total working period.

An accurate estimation of exposure should also take into account the times when the tool is switched off, or when it is running but not actually being used for a job. This can significantly reduce exposure over the total working period.

Identify additional safety measures to protect the operator from the effects of noise and/or vibration, for example: maintaining the power tool and accessory tools, keeping the hands warm, organization of work patterns.

Noise information

		BX 3-22	BX 3-L-22	BX 3-ME-22
Typical A-weighted emission sound power level (when driving nails) (L_{WA})	Con-crete	96 dB	96 dB	96 dB
	Steel	100 dB	100 dB	100 dB
Typical A-weighted emission sound pressure level (when driving nails) (L_{pA})	Con-crete	85 dB	85 dB	85 dB
	Steel	89 dB	89 dB	89 dB
Uncertainty for the given sound level (K_{WA}, K_{pA})		3 dB	3 dB	3 dB

Total uniaxial vibration values (in z-direction)

		BX 3-22	BX 3-L-22	BX 3-ME-22
Vibration emission value (driving in nails) with B22 55 battery (a_{ii})	Con-crete	2.5 m/s ²	2.5 m/s ²	2.5 m/s ²
	Steel	3.3 m/s ²	3.3 m/s ²	3.3 m/s ²
Vibration emission value (driving in nails) with B22 85 battery (a_{ii})	Con-crete	2.9 m/s ²	2.9 m/s ²	2.9 m/s ²
	Steel	3.5 m/s ²	3.5 m/s ²	3.5 m/s ²
Uncertainty (K)		1.5 m/s ²	1.5 m/s ²	1.5 m/s ²

5 Preparations at the workplace



WARNING

Risk of injury by inadvertent starting!


- ▶ Before inserting the battery, make sure that the product is switched off.
- ▶ Remove the battery before making any adjustments to the power tool or before changing accessories.

Observe the safety instructions and warnings in this documentation and on the product.

5.1 Charging the battery

1. Before charging the battery, read the operating instructions for the charger.
2. Make sure that the contacts on the battery and the contacts on the charger are clean and dry.



3. Use an approved charger to charge the battery.  7

5.2 Inserting the battery

WARNING

Risk of injury by short circuit or falling battery!


- ▶ Before inserting the battery, make sure that the contacts on the battery and the contacts on the product are free of foreign matter.
- ▶ Make sure that the battery always engages correctly.

1. Charge the battery fully before using it for the first time.
2. Push the battery into the product until it engages with an audible click.
3. Check that the battery is seated securely.


5.3 Removing the battery

1. Press the battery release button.
2. Remove the battery from the product.

5.4 Removing the fastener guide

1. Pull the nail pusher down until it engages.
2. Unload the magazine.  15
3. Slide the fastener guide locking catch as far as it will go in the direction of the arrow.
 - ▶ The fastener guide will be released.
4. Remove the fastener guide.

5.5 Inserting the fastener guide

1. Pull the nail pusher down until it engages.
2. Unload the magazine.  15
3. Slide the fastener guide locking catch as far as it will go in the direction of the arrow and hold it in this position.
4. Slide the fastener guide into the nosepiece until it is heard to engage.
5. Release the fastener guide locking catch.
 - ▶ The fastener guide jumps to the middle position.
6. Grip and pull the fastener guide to check that it is securely seated.

5.6 Working safely with the belt and scaffold hook


- ▶ Before beginning work, make sure that the belt hook / scaffold hook is securely attached to the product.
- ▶ Use the belt hook / scaffold hook only when necessary. Put the product safely aside if it is to remain unused for a lengthy period of time.

5.7 Fall arrest

WARNING

Risk of injury by falling tool and/or accessory!

- ▶ Use only the **Hilti** tool tether recommended for your product.
- ▶ Prior to each use, always check the attachment point of the tool tether for possible damage.
- ▶ Do not secure a tool tether to the belt hook. Do not use a belt hook to lift the product.

 Comply with the national regulations for working at heights.

As drop arrester for this product, use only the **Hilti** tool tether #2261970.

- ▶ Use one carabiner to secure the tool tether to the product as shown in the illustration. Check that the carabiner holds securely.



- ▶ Secure the second carabiner to a load-bearing structure. Check that the carabiner holds securely.



Comply with the operating instructions of the **Hilti** tool tether.

5.8 Loading for magazine operation



CAUTION

Crush hazard! If it is allowed to snap back, the nail pusher can cause injuries and damage the fastening tool.

- ▶ When you pull down the nail pusher make sure it engages securely. Do not allow the nail pusher to snap back.
1. Pull the nail pusher down until it engages.
 2. Slide the nail strips into the magazine (a maximum of 3 strips of 10 nails).
 3. Hold the nail pusher securely and press the nail pusher release button.
 4. Guide the nail pusher back until it contacts a nail.

5.9 Loading for single-fastener mode

BX 3-ME-22



CAUTION

Crush hazard! If it is allowed to snap back, the nail pusher can cause injuries and damage the fastening tool.

- ▶ When you pull down the nail pusher make sure it engages securely. Do not allow the nail pusher to snap back.
1. Pull the nail pusher down until it engages.
 2. Slide the nail strip(s) out of the magazine and check that the magazine is empty.



Damage to the fastening tool can result if you do not remove all the nails from the magazine before using the tool in single-fastener mode.

3. Hold the nail pusher securely and press the nail pusher release mechanism.
4. Guide the nail pusher back.
5. Insert the nail into the recess in the fastener guide. Optionally, you can then also fit an approved fastening element on to the nose of the fastener guide.



Attempting to drive a fastener with more than one nail in the fastener guide can cause damage to the fastening tool. When operating the tool in single-fastener mode, load only one nail into the fastener guide.

6. Activate the single-fastener selector switch.
 - ▶ The single-fastener switch engages with an audible click.



Pulling the nail pusher down a few centimeters will disengage the single-fastener switch.

6 Operation

Observe the safety instructions and warnings in this documentation and on the product.

6.1 Using the support leg

On an even working surface, the support leg makes it easier to hold the fastening tool perpendicular as attention then only has to be paid to lateral alignment. On uneven surfaces it might be necessary to retract the support leg in order to ensure that the fastener guide is perpendicular to the working surface.

6.1.1 Retracting the support leg

1. Push against the support leg to release it from its engaged position.
2. Swing the support leg back.



6.1.2 Extending the support leg

CAUTION

Risk of pinching the fingers! When folding the support leg back there is a risk of trapping and pinching the fingers between the support leg and the casing of the tool.

- ▶ Hold the fastening tool by the grip when extending/retracting the support leg.
1. Swing the support leg forward.
 2. Push against the support leg from below until it engages in the extended position.

6.2 Switching Bluetooth (optional) off

- ▶ Press the fastening tool against the base material for 10 seconds.
 - ▶ After 6 seconds the spring element audibly relieves its tension (keep the fastening tool pressed against the base material for another 4 seconds).
 - ▶ Status indicator flashes blue 3 times.
 - ▶ Motor noise sounds 3 times.
 - ▶ No further data transfer is possible.



Bluetooth can be deactivated if you are in a sensitive environment (e.g. a hospital) where use of Bluetooth is prohibited.

To switch Bluetooth back on, remove and then re-insert the battery.



6.3 Switching the fastening tool on/off

6.3.1 Switching on the fastening tool

WARNING

Risk of injury! Pressing the nosepiece of the fastening tool against a part of the body may lead to serious injury due to inadvertent firing and release of a fastener.

- ▶ **Never press the nosepiece of the fastening tool against your hand or any other part of the body.**


1. For magazine operation, load the magazine.  13
2. Insert the battery.  12



If you continue to operate the fastening tool after battery performance drops, the fastening tool will switch itself off automatically before damage to the battery cells occurs.

3. To switch the fastening tool on, press it against a suitable surface.
 - ▶ Fastening tool is tensioned.
 - ▶ The status indicator shows green.

6.3.2 Switching off the fastening tool

- ▶ Remove the battery.  12
 - ▶ The spring mechanism audibly relieves its tension and the status indicator goes out.



After 6 minutes the fastening tool generates a motor sound as an alert indicating that the fastening tool is about to switch off. After issuing this alert, the fastening tool switches off automatically.

6.4 Driving a fastener

WARNING

Risk of injury by fasteners penetrating right through!

- ▶ Before driving fasteners, check to make sure that no one is present behind or below the object into which the fastener is to be driven.

WARNING

Risk of injury by flying parts! When driving a fastener, there is a risk of injury to the body and eyes caused by splintered fragments of the workpiece and by flying parts of the nail strip.

- ▶ **Wear personal protective equipment and always wear eye protection and protective gloves.** Other persons in the vicinity must also wear eye protection and a hard hat.



WARNING

Risk of injury! Pressing the nosepiece of the fastening tool against a part of the body may lead to serious injury due to inadvertent firing and release of a fastener.

► **Never press the nosepiece of the fastening tool against your hand or any other part of the body.**

1. Before beginning the work, carry out a test by driving 2 fasteners into the material you are working on.
2. Hold the fastening tool perpendicular to the working surface and press it against the surface, pushing the fastener guide in as far as it will go.
 - The fastening tool is switched on.
3. Drive the fastener by pressing the safety trigger.
4. Lift the fastening tool completely clear of the working surface after driving a fastener.

The fastening tool changes automatically to standby mode if the fastener guide is pressed against the working surface for longer than 6 seconds without a fastener being driven. Again pressing the nosepiece against the base material reloads the fastening tool for firing.

6.5 Removing a nail when in magazine mode

1. Pull the nail pusher down until it engages.
2. Slide the nail downwards out of the magazine.
3. Hold the nail pusher securely and press the nail pusher release button.
4. Guide the nail pusher back to its original position.

6.6 Releasing a jammed nail

WARNING

There is a risk of injury and damage to the fastening tool. Use of unsuitable items instead of the recommended genuine **Hilti** accessories may result in injury or damage to the fastening tool.

► To release a jammed nail, use only the recommended drift punch set.

WARNING

Risk of injury by flying parts! Triggering the tool (attempting to drive a fastener) when foreign objects are present in the area around the fastener guide, or when a fastener is jammed in the fastener guide, may lead to injury caused by flying objects or fragments.

► **Never attempt to clear malfunctions of the fastening tool by continuing to trigger the tool!**

Individual nails may get stuck in the fastener guide. You can remove jammed nails from the fastener guide with the aid of the X-NP drift punch set. Accessories are available from your **Hilti** Store or can be ordered online at www.hilti.group.

1. Remove the fastener guide (see 12).
2. Fit the fastener guide into the supporting sleeve from the drift punch set.
3. Use the drift punch and a hammer to drive the jammed nail out of the fastener guide.
4. Fit the fastener guide (see 12).

7 Care and maintenance

WARNING

Risk of injury with battery inserted!

► Always remove the battery before carrying out care and maintenance tasks!

Care of the product

- Carefully remove stubborn dirt.
- Carefully clean the air vents, if present, with a dry, soft brush.
- Use only a slightly damp cloth to clean the housing. Do not use cleaning agents containing silicone as these can attack the plastic parts.
- Use a dry, clean cloth to clean the contacts of the product.



Care of the Li-ion batteries

- Never use a battery with clogged air vents. Clean the air vents carefully using a dry, soft brush.
- Avoid unnecessary exposure of the battery to dust and dirt. Never expose the battery to high levels of moisture (e.g. by being dipped in water or left in the rain).
If a battery has been soaked by moisture, treat it as a damaged battery. Isolate it in a non-flammable container and consult **Hilti Service**.
- Keep the battery free of extraneous oil and grease. Do not permit dust or dirt to accumulate unnecessarily on the battery. Clean the battery with a dry, soft brush or a clean, dry cloth. Do not use cleaning agents containing silicone as these can attack the plastic parts.
Do not touch the contacts of the battery and do not remove the factory-applied grease from the contacts.
- Use only a slightly damp cloth to clean the housing. Do not use cleaning agents containing silicone as these can attack the plastic parts.

Maintenance

- Check all visible parts and controls for signs of damage at regular intervals and make sure that they all function correctly.
- Do not use the product if signs of damage are found or if parts malfunction. Immediately have the product repaired by **Hilti Service**.
- After cleaning and maintenance, install all guards and protective devices and check that they are in full working order.



To help ensure safe and reliable operation, use only genuine Hilti spare parts and consumables. Spare parts, consumables and accessories approved by **Hilti** for use with your product can be found at your **Hilti Store** or online at: www.hilti.group

7.1 Cleaning the inside of the nosepiece

1. Remove the fastener guide. 12
2. Clean the inside of the nosepiece.
3. Insert the fastener guide. 12

8 Transport and storage of cordless tools and batteries**Transport** **CAUTION****Accidental starting during transport !**

- ▶ Always transport your products with the batteries removed!
- ▶ Remove the battery.
- ▶ Always transport and store the tool in a secured case.
- ▶ Never transport batteries in bulk form (loose, unprotected). During transport, batteries should be protected from excessive shock and vibration and isolated from any conductive materials or other batteries that may come in contact with the terminals and cause a short circuit. **Comply with the locally applicable regulations for transporting batteries.**
- ▶ Do not send batteries through the mail. Consult your shipper for instructions on how to ship undamaged batteries.
- ▶ Prior to each use and before and after prolonged transport, check the product and the batteries for damage.

Storage **WARNING****Accidental damage caused by defective or leaking batteries !**

- ▶ Always store your products with the batteries removed!
- ▶ Store the product and the batteries in a cool and dry place. Comply with the temperature limits stated in the technical data.
- ▶ Do not store batteries on the charger. Always remove the battery from the charger when the charging operation has completed.
- ▶ Never leave batteries in direct sunlight, on sources of heat, or behind glass.
- ▶ Store the product and batteries where they cannot be accessed by children or unauthorized persons.



- Prior to each use and before and after prolonged storage, check the product and the batteries for damage.

9 Troubleshooting

Unless otherwise stated, all the light signals described here relate to the status indicator of the fastening tool. If a problem occurs, always observe the charge-status and fault indicator of the battery. See the section headed **Status indicators of the Li-ion battery**.

If the trouble you are experiencing is not listed in this table or you are unable to rectify the problem by yourself, please contact **Hilti Service**.

Trouble or fault	Possible cause	Action to be taken
Status indicator flashes green.	The battery is empty.	► Change the battery.
The spring element is not tensioned, status indicator flashes green.	The battery is empty.	► Change the battery.
The fastener guide cannot be pressed in and status indicator shows blue .	The magazine is empty.	► For magazine operation, load the magazine. 13
The fastener guide cannot be pressed in and status indicator shows green .	The nail pusher is jammed.	► Remove the nail strips from the magazine and clean the magazine.
	Nail jammed in the fastener guide.	► Release the jammed nail. 15
There is a delay before the spring mechanism is tensioned, the status indicator flashes blue and a signal tone is emitted simultaneously; the status indicator then lights blue for 6 minutes.	The magazine is empty.	► For magazine operation, load the magazine. 13
The spring element is not re-tensioned and status indicator flashes yellow.	The fastening tool has overheated.	► Allow the fastening tool to cool down.
	Battery temperature too high.	► Allow the battery to cool down.
	Battery temperature too low.	► Allow the battery to warm up slowly to room temperature.
The spring element is not tensioned and the status indicator flashes red.	The fastener guide is not fitted correctly.	► Insert the fastener guide. 12
The spring element is not tensioned and the status indicator lights red.	System fault.	► Contact Hilti Service .
The spring element is not tensioned; no status indication.	The battery is empty.	► Change the battery.
	The battery is not fitted correctly.	► Remove and then correctly reinsert the battery. 12
	Deep discharge protection is active.	► Remove and then reinsert the battery.
The fastener guide is jammed in the pressed-in state.	Dirt between the fastener guide and the nosepiece.	► Clean the inside of the nosepiece. 16




10 Disposal



WARNING

Risk of injury due to incorrect disposal! Health hazards due to escaping gases or liquids.

- ▶ DO NOT send batteries through the mail!
 - ▶ Cover the terminals with a non-conductive material (such as electrical tape) to prevent short circuiting.
 - ▶ Dispose of your battery out of the reach of children.
 - ▶ Dispose of the battery at your **Hilti Store**, or consult your local governmental garbage disposal or public health and safety resources for disposal instructions.
-

 Most of the materials from which **Hilti** products are manufactured can be recycled. The materials must be correctly separated before they can be recycled. In many countries, your old tools, machines or appliances can be returned to **Hilti** for recycling. Ask **Hilti Service** or your Hilti sales representative for further information.



- ▶ Do not dispose of power tools, electronic equipment or batteries as household waste!
-

11 Manufacturer's warranty

- ▶ Please contact your local **Hilti** representative if you have questions about the warranty conditions.

12 Further information

For more information on operation, technology, environment and recycling, follow this link:
qr.hilti.com/manual?id=2268212&id=2268213

This link is also to be found at the end of the documentation, in the form of a QR code.



1 מידע על הוראות ההפעלה

1.1 על הוראות הפעלה אלו

- **אזהרה!** לפני השימוש במוצר יש לקרוא ולהבין את הוראות הפעלה המצורפות למוצר, כולל ההערות, הוראות הבטיחות והאזהרות, האיומים והמפרטים. יש ללמוד במיוחד את כל הוראות הבטיחות, האזהרות, המפרטים והפונקציות השונות של המוצר. התעלמות מהנחיה זו מובילה לסכנת התחשמלות, שריפה ופציעות קשות. שמור את הוראות הפעלה, כולל כל הוראות הבטיחות והאזהרות לצורך שימוש בעתיד.
- המוצרים של **HILTI** מיועדים למשתמש המקצועי, ורק אנשים מורשים, שעברו הכשרה מתאימה, רשאים לתפעל, לתחזק ולתקן אותם. אנשים אלה חייבים ללמוד באופן מיוחד את הסכנות האפשריות. המוצר המתואר והעדרים שלו עלולים להיות מסוכנים כאשר אנשים שלא עברו הכשרה מתאימה משתמשים בהם באופן לא מקצועי או כאשר משתמשים בהם שלא בהתאם ליעוד.
- הוראות הפעלה המצורפות נכתבו בהתאם לידיעות הטכנולוגיות במועד השליחה לדפוס. את הגרסה העדכנית ביותר אפשר למצוא תמיד בדף המוצר של Hilti. כדי להגיע לשם, יש לסרוק את קוד ה-QR בהוראות הפעלה האלה, מסומן בסמל .
- אם אתה מעביר את המוצר לאדם אחר, מסור לו גם את הוראות הפעלה האלה.

1.2 הסבר הסימנים

1.2.1 אזהרות

האזהרות מזהירות מפני סכנות בשימוש במוצר. במדרג זה מופיעות מילות המפתח הבאות:



סכנה!

מציינת סכנה מיידית, המובילה לפציעות גוף קשות או למוות.



אזהרה!

מציינת סכנה אפשרית, שיכולה להוביל לפציעות גוף קשות או למוות.



זהירות!

מציינת מצב שעלול להיות מסוכן ולהוביל לפציעות גוף או לנזקים לרכוש.

1.2.2 סמלים בהוראות הפעלה

הסמלים הבאים מופיעים בהוראות הפעלה אלה:

	שים לב להוראות הפעלה
	הנחיות לשימוש ומידע שימושי נוסף
	טיפול נכון בחומרים למיחזור
	אין להשליך לפסולת הביתית מכשירים חשמליים וסוללות
	Hilti סוללת ליתיום-יון
	Hilti מטען

1.2.3 סמלים באיומים

הסמלים הבאים משמשים באיומים:

	מספרים אלה מפנים לאיור המתאים בתחילת הוראות הפעלה אלה.
3	המספרים באיומים משקפים את רצף הפעולות, והם עשויים להיות שונים מרצף הפעולות המצוינות בטקסט.
11	מספרי הפריטים מופיעים באיור סקירה ותואמים את המספרים במקרא בפרק סקירת המוצר .



סימן זה אמור לעורר את תשומת לבך המיוחדת בעת השימוש במוצר.



1.3 סמלים ספציפיים למוצר

1.3.1 סמלים על המוצר

הסמלים הבאים עשויים להופיע על המוצר:

סימן פעולת חובה	
השתמש במגני עיניים	
השתמש במגני שמיעה	
השתמש בקסדת מגן	
המוצר תומך בטכנולוגיית NFC, התואמת את פלטפורמות iOS ו-Android.	
סוללת ליתיום-יון	Li-Ion
לעולם אין להשתמש בסוללה כפטיש.	
אין להפיל את הסוללה. אין להשתמש בסוללה שנחבטה או שניזוקה באופן אחר.	

1.4 פרטי המוצר

המוצרים של **HILTI** מיועדים למשתמש המקצועי, ורק אנשים מורשים, שעברו הכשרה מתאימה, רשאים לתפעל, לתחזק ולתקן אותם. אנשים אלה חייבים ללמוד באופן מיוחד את הסכנות האפשריות. המוצר המתואר והעזרים שלו עלולים להיות מסוכנים כאשר אנשים שלא עברו הכשרה מתאימה משתמשים בהם באופן לא מקצועי או כאשר משתמשים בהם שלא בהתאם לייעוד. שם הדגם והמספר הסידורי מצוינים על לוחית הדגם.

רשום את המספר הסידורי בטבלה הבאה. בכל פנייה לנציגינו או למעבדת שירות יש לציין את נתוני המוצר.

נתוני המוצר

אקדח מסמרים	BX 3-22 BX 3-L-22 BX 3-ME-22
דור	03
מס' סידורי	

1.5 הצהרת תאימות

היצרן מצהיר באחריותו הבלעדית כי המוצר המתואר כאן עונה על דרישות החוק התקפות והתקנים התקפים. בסוף תיעוד זה ישנו צילום של הצהרת התאימות.

התיעוד הטכני שמור כאן:

Hilti Entwicklungsgesellschaft mbH | Zulassung Geräte | Hiltistraße 6 | 86916 Kaufering, Germany

2 בטיחות

2.1 הוראות בטיחות כלליות לכלי עבודה חשמליים

⚠ אזהרה קרא את כל הוראות הבטיחות, ההנחיות, האירוסים והנתונים הטכניים המצורפים לכלי העבודה החשמלי. אי ציות להנחיות עלול להוביל להתחשמלות, לשרפה ו/או לפציעות קשות.

שמור את כל הוראות הבטיחות וההנחיות לעיון בעתיד.

המונח "כלי עבודה חשמלי" המשמש בהוראות הבטיחות מתייחס לכלי עבודה חשמליים המחוברים הרשת החשמל (עם כבל חשמל) או לכלי עבודה חשמליים המופעלים באמצעות סוללה נטענת (ללא כבל חשמל).

בטיחות במקום העבודה

שמור על אזור העבודה שלך כקי ודאג לתאורה מספקת. חוסר סדר או תאורה לקויה במקום העבודה עלולים לגרום לתאונות.

אין להפעיל את כלי העבודה החשמלי בסביבה שקיימת בה סכנת פיצוץ או שישנם בה נוזלים, גזים או אבק דליקים. כלי עבודה חשמליים יוצרים ניצוצות, שעלולים להצית את האבק או האדים.



הרחק ילדים ואנשים אחרים מכלי העבודה החשמלי במהלך השימוש בו. אם דעתך תוסח אתה עלול לאבד את השליטה במכשיר.

בטיחות בחשמל

- ▶ **תקע החשמל של כלי העבודה החשמלי חייב להתאים לשקע החשמל. אסור לשובת בשום אופן את תקע החשמל. אל תשתמש בשקע מתאם בידך עם כלי עבודה חשמליים הכוללים הגנת הארקה.** שימוש בתקעים חשמליים שלא עברו שינוי ושקעי חשמל מתאימים מפחית את הסיכון להתחשמלות.
- ▶ **מנע מגע של הגוף בשטחים מוארקים כגון צינורות, גופי חימום, תנורים ומקררים.** קיימת סכנה גבוהה להתחשמלות כאשר הגוף שלך גורם מוארק.
- ▶ **הרחק כלי עבודה חשמליים מגשם או רטיבות.** חדרית מים לכלי העבודה החשמלי מגדילה את הסיכון להתחשמלות.
- ▶ **אל תשתמש בכלל החשמל למטרות שלא לשמן הוא נועד, לדוגמה: אל תרים את כלי העבודה החשמלי באמצעות הכבל ואל תנסה לנתק את התקע משקע החשמל במשיכה מהכבל.** הרחק את הכבל מחום, שמן, פינות חדות או מחלקים נעים. כבלים שנידוקו או שהסתבכו בחלקים אחרים מגדילים את הסיכון להתחשמלות.
- ▶ **כאשר אתה עובד עם כלי העבודה החשמלי בחוץ, השתמש רק בכלל מאריך המיועד לשימוש חיצוני.** שימוש בכלל מאריך המתאים לשימוש חיצוני מפחית את הסיכון להתחשמלות.
- ▶ **אם לא ניתן להימנע משימוש בכלי העבודה החשמלי בסביבה לחה, השתמש בממסר פחת.** השימוש בממסר פחת מפחית את הסיכון להתחשמלות.

בטיחות של אנשים

- ▶ **היה ערבי, שים לב למה שאתה עושה, ופעל בתבונה כאשר אתה עובד עם כלי עבודה חשמלי.** אל תפעיל כלי עבודה חשמליים כשאתה עייף או תחת השפעת סמים, אלכוהול או תרופות. די ברבע אחד של חוסר תשומת-לב בזמן השימוש בכלי העבודה החשמלי כדי לגרום פציעות קשות.
- ▶ **לבש תמיד ציוד מגן ומשקפי מגן.** לבישת ציוד מגן אישי, כגון מסכת אבק, נעלי בטיחות מונעות החלקה, קסדת מגן או מגני שמיעה - בהתאם לסוג השימוש בכלי העבודה החשמלי - מקטינה את הסיכון לפציעות.
- ▶ **מנע הפעלה בשוגג.** ודא שכלי העבודה החשמלי כבוי לפני שאתה מחבר אותו לאספקת החשמל ו/או לפני שאתה מחבר את הסוללה ולפני הרמתו. אל תניח את אצבעך על המתג בזמן שאתה נושא את המכשיר ואל תחבר אותו לאספקת החשמל כאשר הוא מופעל, אחרת עלולות להיגרם תאונות.
- ▶ **הרחק כלי כוונון או מפתחות ברגים לפני שאתה מפעיל את כלי העבודה החשמלי.** כלי עבודה או מפתחות הנמצאים בקרבת חלקים מסתובבים עלולים לגרום פציעות.
- ▶ **הימנע מתנוחות גוף לא נכונות. עמוד באופן יציב ושומר תמיד על שיווי משקל.** כך תוכל לשלוט טוב יותר בכלי העבודה החשמלי במצבים לא צפויים.
- ▶ **לבש בגדים מתאימים.** אל תלבש בגדים רחבים או תכשיטים. הרחק את השער, הבגדים וכפפות מחלקים נעים. בגדים רופפים, תכשיטים ושיער ארוך עלולים להיתפס בחלקים נעים.
- ▶ **כאשר ניתן להתקיף התקני שאיבת אבק ולכידה יש לוודא שהם מחוברים לחשמל, ויש להקפיד להשתמש בהם בצורה נכונה.** שימוש בהתקן שאיבת אבק מקטין את הסכנות הנובעות מהאבק.
- ▶ **אל תהיה שאנן בנושאי בטיחות ואל תתעלם מהוראות בטיחות של כלי עבודה חשמליים, גם אם שהשתמשת במכשיר פעמים רבות ואתה מכיר אותו היטב.** התנהגות רשלנית עלולה להוביל לפציעות קשות בתוך שניות.

שימוש וטיפול בכלי העבודה החשמלי

- ▶ **אל תפעיל עומס רב מדי על המכשיר.** השתמש בכלי העבודה החשמלי המתאים לעבודה שאתה מבצע. כלי העבודה החשמלי המתאים מבטיח לך עבודה טובה ובטוחה יותר בתחום ההספק הנקוב.
- ▶ **אל תשתמש בכלי העבודה אם המתג שלו אינו תקין.** כלי עבודה חשמלי שלא ניתן עוד להפעיל או לכבות אותו מהווה סכנה ויש לתקנו.
- ▶ **נתק את תקע החשמל מהשקע ו/או הסר את הסוללה לפני שאתה מבצע כוונונים במכשיר, מחליף כלים או לאחר שאתה מפסיק לעבוד עם המכשיר.** אמצעי זהירות זה מונע הפעלה בשוגג של כלי העבודה החשמלי.
- ▶ **שמור כלי עבודה חשמליים שאינם בשימוש הרחק מהישג ידם של ילדים.** אל תאפשר לאנשים שאינם יודעים כיצד להשתמש במכשיר או שלא קראו את ההוראות להשתמש במכשיר. כלי עבודה חשמליים הם מסוכנים כאשר משתמשים בהם אנשים חסרי ניסיון.
- ▶ **טפל בכלי עבודה חשמליים ובאביזרים בהקפדה.** בדוק אם החלקים הנעים פועלים בצורה חלקה ואינם נתקעים, אם ישנם חלקים שבורים או מקולקלים המשבשים את הפעולה התקינה של כלי העבודה החשמלי. לפני השימוש במכשיר דאג לתיקון חלקים לא תקינים. תאונות רבות נגרמו עקב תחזוקה לקויה של כלי עבודה חשמליים.
- ▶ **שמור על כלי החיתוך חדים ונקיים.** כלי חיתוך מטופלים היטב, שלהיהם חדים נתקעים פחות וקלים יותר לתפעול.
- ▶ **השתמש בכלי העבודה החשמלי, באביזרים, בכלי העבודה הנוספים וכן הלאה בהתאם להוראות אלה.** התחשב בתנאי העבודה ובפעולה שעליך לבצע. שימוש בכלי העבודה החשמלי למטרות אחרות מאלה שלשמן הוא מיועד עלול להיות מסוכן.
- ▶ **שמור על ידיות ואזורים אחידה קיים מלכלוך משומן ומגריד.** ידיות ואזורים אחידה חלקים אינם מאפשרים תפעול בטוח ושליטה טובה בכלי העבודה החשמלי במצבים לא צפויים.

שימוש וטיפול בכלי עבודה נטענים

- ▶ **טען את הסוללות רק במטענים שהומלצו על ידי היצרן.** טעינה של סוללה במטען המיועד לטעינה של סוללות מסוג אחר עלולה לגרום לשרפה.
- ▶ **השתמש לשם כך רק בסוללות המתאימות לכלי העבודה החשמלי.** שימוש בסוללות אחרות עלול לגרום לשרפות.



- ◀ **שמור סוללות שאינן בשימוש הרחק ממהדקי נייר משרדיים, ממטבעות, מפתחות, מסמרים, ברגים או חפצים מתכתיים קטנים אחרים שיכולים לגשר בין המגעיים.** קצר בין מגעי הסוללה עלול לגרום לכוויות או לשרפה.
- ◀ **שימוש שגוי עלול לגרום לדליפת נוזלים מהסוללה.** אל תיגע בנוזלים אלה. אם נגעת בהם במקרה, שטוף את האזור במים. אם הנוזל נוגע בעיניים, פנה לרופא. נוזל סוללות שדלף עלול לגרום לגירויים בעור ולכוויות.
- ◀ **אין להשתמש בסוללה ששובתה או שניזוקה.** סוללות שניזוקו או שנערכו בהן שינויים עשויות להגיב בצורה לא צפויה ולגרום לשרפה, לפיצוץ ולפציעות.
- ◀ **אין לחשוף סוללות לאש או לטמפרטורות גבוהות.** אש או טמפרטורות גבוהות מ-130°C (265°F) עלולות לגרום לפיצוץ.
- ◀ **ציית לכל ההנחיות הנוגעות לטעינה, ואף פעם אל תטען את הסוללה או את הכלי עם הסוללה בסביבה שהטמפרטורה בה נמצאת מחוץ לטווח המצוין בהוראות ההפעלה.** טעינה שגויה או טעינה בטמפרטורה שנמצאת מחוץ לטווח המצוין בהוראות ההפעלה עלולה להרוס את הסוללה ולהגביר את הסיכון לשרפה.

שירות

- ◀ **דאג לתיקון כלי העבודה החשמלי שלך רק בידי טכנאים מוסמכים, המשתמשים בחלקי חילוף מקוריים בלבד.** כך תבטיח שמירה על בטיחות העבודה במכשיר.
- ◀ **אל תטפל בעצמך בסוללות שניזוקו.** רק היצרן או מעבדה מורשית מטעמו רשאים לטפל בסוללות.

2.2 הוראות בטיחות לאקדחי מסמרים

- ◀ **עליך להניח תמיד כי ישנם מסמרים בכלי העבודה החשמלי.** שימוש קל דעת באקדח המסמרים עלול לגרום לירי בלתי צפוי של מסמרים ולפציעות.
- ◀ **אל תכוון את כלי העבודה החשמלי לכיוונך או לכיוון אנשים אחרים.** ירי בשוגג יגרום לשחרור המסמר, מה שעלול לגרום לפציעות.
- ◀ **אין להפעיל את כלי העבודה החשמלי לפני שהוא מוצמד בחוזקה לחלק שבעבודה.** אם אין מגע בין כלי העבודה החשמלי לחלק שבעבודה, המסמר עלול להיודף מהמקום.
- ◀ **אם נתקע מסמר בכלי העבודה החשמלי יש לנתק את כלי העבודה החשמלי מהחשמל או מהסוללה.** בעת הוצאת מסמר תקוע מהמכשיר בזמן שהוא מחובר לאספקת חשמל עלולה להתרחש ירייה בשוגג.
- ◀ **היה זהיר בעת הוצאת מסמר תקוע.** המערכת עשויה להיות דרוכה, כך שהמסמר יפלט בעוצמה בזמן שאתה מנסה לשחרר את ההיתקעות.
- ◀ **בעת חיבור קווי חשמל יש לוודא שהמתח אליהם מנותק.** אחוז רק באזורי האחידה המבודדים באקדח המסמרים. **השתמש רק במסמרים המתאימים להתקנת קווי חשמל.** ודא שהמסמר אינו פוגע בבידוד של קו החשמל. מסמר שפגע בבידוד של כבל החשמל עלול לגרום להתחשמלות ולשרפה.

2.3 הוראות בטיחות

דרישות המשתמש

- ◀ **רק מי שהוסמך לכך ועבר הכשרה מתאימה רשאי לתפעל ולתחזק את המוצר.**
- ◀ **צידו מגן אישי**
- ◀ **אתה ואנשים הנמצאים בקרבת מקום צריכים ללבוש מגני עיניים, מגני שמיעה וקסדת מגן בזמן השימוש.**

בטיחות של אנשים

- ◀ **ציית להנחיות ההפעלה, הטיפול והתחזוקה המצוינות בהוראות ההפעלה.**
- ◀ **היה ערני, שים לב למה שאתה עושה, ופעל בתבונה כאשר אתה עובד עם אקדח המסמרים.** אל תשתמש במוצר כאשר אתה עייף או תחת השפעת סמים, אלכוהול או תרופות. הפסק לעבוד אם אינך חש בטוב או שיש לך כאבים. די ברגע אחד של חוסר תשומת לב בעת השימוש באקדח המסמרים כדי לגרום לפציעות קשות.
- ◀ **עבוד תמיד בתנוחה נוחה.** עמוד באופן יציב ושומר תמיד על שיווי משקל.
- ◀ **לבש נעלי עבודה מונעות החלקה.**
- ◀ **עולם אין למשוך אחורה ידית את מוליך המסמרים או את רכיבי החיבור.**
- ◀ **משיכה ידנית לאחור של מוליך המסמרים או רכיב חיבור עשויה להעביר את המוצר למצב מוכן לירי.** מצב זה מאפשר החדרה גם לאברי גוף.
- ◀ **שמור על זרועות מכופפות (לא תתוחות) בזמן העבודה במוצר.**
- ◀ **הרחק אנשים אחרים, ובמיוחד ילדים, מטווח הפעולה במהלך העבודה.**
- ◀ **סכנת פציעה מכלי עבודה ו/או אביזרים נופלים.** לפני תחילת העבודה בדוק שהסוללה והאביזר המותקן מחוברים היטב.
- ◀ **שמור על חריצי האוויר פנויים תמיד.** סכנת כוויה כשחריצי האוויר מוסתים!
- ◀ **אין להביט ישירות לתאורה (לד) ואין להאיר ישירות לפנייהם של אנשים אחרים.** סכנת סנוור.

הנחלות נכונה ושימוש קפדני באקדח מסמרים

- ◀ **סכנה מרכיבי חיבור חודרים!** לפני ההחדרה של רכיבי חיבור יש לוודא שאיש אינו נמצא מאחורי החלק שאליי מחדרים את רכיב החיבור.
- ◀ **השתמש במוצר המתאים לעבודה שלך.** אין להשתמש במוצר למטרות שלא לשמן הוא יועד, אלא רק בהתאם ליעודו וכשהוא תקין לגמרי.
- ◀ **לעולם אל תשאיר מוצר טעון ללא השגחה.**



- ◀ פרק את המוצר תמיד לפני ביצוע עבודות ניקוי, טיפול ותחזוקה, לפני החלפת מוליך המסמרים וכן לאחר הפסקת העבודה או לפני אחסון (רכיב חיבור).
- ◀ מוצרים שאינם בשימוש יש לאחסן פרוקים במקום סגור, הרחק מהישג יד של ילדים.
- ◀ בדוק את המוצר והאביזרים כדי לאתר נזקים אפשריים. בדוק שהחלקים הנעים פועלים בצורה תקינה לגמרי ואינם נתקעים או פגומים.
- ◀ כל החלקים צריכים להיות מותקנים בצורה נכונה ולעמוד בכל הדרישות כדי להבטיח פעולה תקינה של המוצר. חלקים שניזוקו יש להביא לתיקון או להחלפה במעבדת שירות של Hilti, אלא אם צוין אחרת בהוראות ההפעלה.
- ◀ לפני תחילת העבודה יש לבדוק אם ישנם כבלי חשמל, צינורות גז או מים סתורים. חלקים מתכתיים חיצוניים על המכשיר עלולים לגרום התחשמלות או פיצוץ כאשר פוגעים בכבל חשמל, בצינור גז או מים.
- ◀ אין להחזיר רכיבי חיבור לחומר שאינו מתאים.
- ◀ חומרים לא מתאימים הם פלדה מרותכת ופלדה יצוקה, ברזל יצוק, זכוכית, שיש, פלסטיק, ארז, פליז, נחושת, חומר בידוד, לבני עץ, לבני קרמיקה, פחים דקים (> 4 מ"מ) ואיטונג. החדרה לחומרים אלה עלולה לגרום לשבירה, לפיצוץ של החומר או לחזירה מלאה דרך החומר.
- ◀ לחץ על ההדק רק כאשר המוצר מוצמד בזווית ישרה לגמרי לחומר.
- ◀ בעת החדרה יש להחזיק את המוצר בזווית ישרה לחומר, כדי למנוע סטייה של רכיב החיבור מהחומר.
- ◀ שמור על ידיות האחידה יבשות, נקיות וולא שמן או גריז.
- ◀ אל תפיל את המוצר אף פעם.
- ◀ אין להשתמש במחסנית כידית אחידה.
- ◀ אל תשתמש במוצר במקומות שקיימת בהם סכנה לשרפה או לפיצוץ, אלא אם התקבל אישור מיוחד.
- ◀ אין להחזיר רכיבים לחורים קיימים, אלא אם הומלץ על ידי Hilti (כגון DX-Kwik).

אמצעי בטיחות מכניים

- ◀ אל תבצע מניפולציות או שינויים במוצר ובאביזרים, ובמיוחד לא בבריח.
- ◀ השתמש רק ברכיבי חיבור שאושרו ויועדו למוצר זה.

אמצעי בטיחות תרמיים

- ◀ אין לחרוג מתדירות ההחדרה המרבית המומלצת.
- ◀ אם המוצר התחמם מדי, הנח לו להתקרר.
- ◀ אל תפרק את המוצר כאשר הוא חם. הנח למוצר להתקרר.

2.4 טיפול ושימוש קפדניים בסוללות נטענות

- ◀ **שים לב להוראות הבטיחות הבאות בנושא טיפול בטוח ושימוש בטוח בסוללות ליתיום-יון.** אי הקפדה עשויה להוביל לגירויים בעור, פציעות צריבה קשות, כוויות כימיות, לדליקה ו/או לפיצוץ.
- ◀ השתמש רק בסוללות שנמצאות במצב טכני מושלם.
- ◀ טפל בסוללות בהקפדה כדי למנוע נזקים ולמנוע דליפה של נוזלים מסוכנים לבריאות!
- ◀ בשום אופן אסור להכניס שינויים כלשהם בסוללות!
- ◀ אין לפרק, למעוך, לחמם לטמפרטורה גבוהה מ-80°C (176°F) או לשרוף את הסוללות הנטענות.
- ◀ אל תשתמש או תטען סוללות שקיבלו מכה או ניזוקו בדרך אחרת. בדוק את הסוללות שלך באופן סדיר כדי לזהות סימני נזק.
- ◀ בשום אופן אין להשתמש בסוללות ממוחזרות או מתוקנות.
- ◀ לעולם אין להשתמש בסוללה או בכלי עבודה חשמלי המופעל בסוללה כפטיש.
- ◀ לעולם אין לחשוף את הסוללה לקרינת שמש ישירה, לטמפרטורה גבוהה, לניצוצות או ללהבה גלויה. זה עלול להוביל לפיצוץ.
- ◀ אל תיגע בקוטבי הסוללה באצבעותיך, באמצעות כלי עבודה, תכשיטים או באמצעות עצמים מוליכי חשמל אחרים. זה עלול לפגוע בסוללה כמו גם לגרום נזק רכוש ופציעות.
- ◀ הרחק סוללות מרטיבות ונוזלים. חזירת לחות עלולה לגרום קצר, התחשמלות, כוויות, דליקה ופיצוץ.
- ◀ השתמש רק בטטענים ובכלי עבודה חשמליים המיועדים לסוג סוללה זה. שים לב בנושא זה לדרישות המופיעות בהוראות ההפעלה המתאימות.
- ◀ אין להשתמש בסוללה בסביבה נפיצה או לאחסן אותה בסביבה נפיצה.
- ◀ אם הסוללה חמה כל כך שלא ניתן לגעת בה, ייתכן שהיא אינה תקינה. הנח את הסוללה במקום לא דליק, גלוי, רחוק מספיק מחומרים דליקים. אפשר לסוללה להתקרר, אם כעבור שעה הסוללה עדיין חמה מדי לנגיעה, אז היא פגומה. פנה לשירות של Hilti או קרא את המסמך "הנחיות בנושא בטיחות ושימוש בסוללות ליתיום-יון של Hilti".

שים לב לתקנות המיוחדות החלות על הובלה, אחסון ושימוש בסוללות ליתיום-יון. קרא את הנחיות בנושא בטיחות ושימוש בסוללות ליתיום-יון של Hilti; אפשר להגיע אליהן דרך קוד ה-QR שבסוף הוראות אלה.

2.5 שימוש וטיפול בכוכים בסוללות כפתור

- ◀ **לעולם אין לבלוע סוללות כפתור.** בליעת סוללת כפתור עלולה להוביל בתוך שעתיים לכוויות פנימיות קשות ולמוות.
- ◀ **ודא שסוללות הכפתור אינן מגיעות לידיהם של ילדים.** אם קיים חשש שמישהו בלע סוללת כפתור או שסוללת כפתור חדרה לפתח אחר בגוף, יש להתקשר למוקד הרעלות המקומי כדי לקבל מידע על אופן הטיפול.

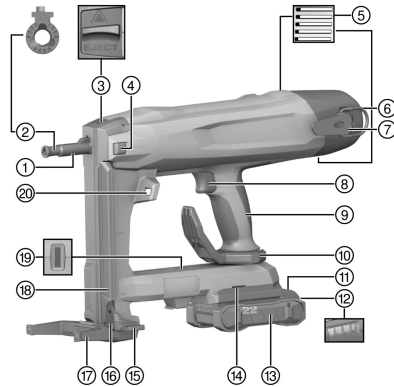


- ◀ כאשר מחליפים סוללות כפתור יש להקפיד לעשות זאת בצורה נכונה. הקפד להכניס את הסוללה בכיוון הנכון (מיקום נכון של + ושל -), סכנת התפוצצות.
- ◀ יש לסגור היטב את תא הסוללה תמיד. אם אי אפשר לסגור היטב את תא הסוללה, אין להשתמש עוד במוצר ויש להוציא את סוללת הכפתור. יש להרחיק את סוללות הכפתור מהישג ידם של ילדים.
- ◀ אין לערבב בין סוללות כפתור חדשות ישנות, בין מותגים שונים או סוגי סוללות כפתור שונים, כגון סוללות אלקליין, אבץ-פחם או סוללות כפתור נטענות.
- ◀ יש להשתמש רק בסוללות הכפתור המצוינות בהוראות הפעלה אלה. אין להשתמש בסוללות כפתור אחרות או באספקת ארגינה אחרת.
- ◀ אסור לטעון סוללות כפתור לא-נטענות. סוללת הכפתור עלולה לדלוף, להתפוצץ ולפצוע אנשים.
- ◀ אין לפרוק במכוון, לטעון, לפרק או לשרוף את סוללת הכפתור. אין לחמם את סוללות הכפתור מעבר לטמפרטורה המרבית שהיצרן קבע. אחרת קיימת סכנת פציעה עקב דליפת גז, דליפת תכולת הסוללה או פיצוץ, מה שעלול להוביל לכוויות כימיות.
- ◀ יש להוציא סוללות כפתור ממוצרים שלא השתמשו בהם זמן רב ולהביא אותן לאתר מיחזור או לסלק אותן מיד על פי תקנות החוק המקומיות. אין להשליך סוללות כפתור לפסולת הביתית ואין לשרוף אותן.
- ◀ יש להוציא סוללות כפתור ריקות ולסלק אותן על פי תקנות החוק המקומיות. יש להרחיק סוללות כפתור מילדים. אין להשליך סוללות כפתור לפסולת הביתית ואין לשרוף אותן. סוללות כפתור ריקות עלולות לדלוף ועקב כך לגרום נזק למוצר או לפצוע אנשים.
- ◀ גם סוללות כפתור משמשות עלולות לגרום פציעות קשות ואפילו מוות. יש לנהוג בסוללות כפתור משמשות באותה מידת זהירות כמו בסוללות כפתור חדשות.
- ◀ אין ליצור מגע בין סוללת כפתור פגומה למים. ליתיום שדולף החוצה עלול בשילוב עם מים ליצור מימן וכך לגרום לשרפה, פיצוץ או פציעה.

3 תיאור

3.1 סקירת המוצר

- ① קנה המכשיר
- ② מוליך מסמרים
- ③ נעילת מוליך המסמרים
- ④ מתג החדרה בודדת (BX 3-ME-22)
- ⑤ חריצי אוורור
- ⑥ טבעת עבור חבל אבטחה של כלי עבודה
- ⑦ תפס לחגורה
- ⑧ הדק בטיחות
- ⑨ ידית אחיזה
- ⑩ תפס לחגורה / וו לפיגומים
- ⑪ לחצן שחרור סוללה
- ⑫ תצוגת מצב סוללה
- ⑬ סוללת ליתיום-יון
- ⑭ פתח להתקנת אביזרים
- ⑮ דוחף מסמרים
- ⑯ משחרר דוחף המסמרים
- ⑰ רגלית
- ⑱ מחסנית
- ⑲ תצוגת מצב של אקדח המסמרים
- ⑳ תאורה באזור העבודה



3.1.1 אבזור

מוליך המסמרים והרגלית משתנים ממוצר למוצר. הטבלה הבאה מציגה את הרגלית ומוליך המסמרים שמוצר זה מצויד בהם. מידע נוסף תמצא במכסה המזוודה, ב-Hilti Store או בכתובת: www.hilti.group

מוצר	BX 3-22	BX 3-L-22	BX 3-ME-22
מוליך מסמרים	X-FG B3 IF 02	X-FG B3 IF 02	X-FG B3 ME
רגלית	X-SL B3 03	X-SL B3 03	X-SL B3 ME 03



3.2 שימוש בהתאם לייעוד

מוצר זה הוא אקדח מסמרים ידני, המופעל באמצעות סוללה. הוא מיועד להחדרת רכיבי חיבור מיוחדים לבטון, פלדה, קירות לבנים, אבן גיר וחומרי בנייה אחרים. המוצר מיועד גם לעיגון כבלים חשמלים באמצעות תפסים, בהנחה שמשתמשים ברכיבי החיבור המתאימים למטרה זו. השתמש רק ברכיבי חיבור מאושרים בשילוב עם מוליך מסמרים ייעודי (ראה הפרק "תכונים טכניים").

אקדח המסמרים, הסוללה הנטענת ורכיבי החיבור מהווים יחידה טכנית אחת. משמעות הדבר היא שניתן להבטיח חיבור נטול תקלות באמצעות אקדח המסמרים רק בתנאי שמשתמשים ברכיבי החיבור הייעודיים של Hilti ובמטענים ובסוללות המומלצים של Hilti. המלצות העבודה והשימוש של Hilti תקפות רק כשמקפידים על תנאים אלה.

אקדח המסמרים מיועד לשימוש ידני בלבד.
יש למנוע שימוש שגוי. החדרה לחומר רך מאוד (כגון עץ) והחדרה לחומר קשה מדי (כגון פלדה קשיחה מאוד או אבן טבעית קשיחה מאוד) כחשבות לשימוש שגוי.

- השתמש עבור מוצר זה רק בסוללות ליתיום-יון של Hilti Nuron מסדרת הדגמים B 22. כדי להשיג ביצועים אופטימליים, Hilti ממליצה להשתמש עבור מוצר זה בסוללות המצוינות בסוף הוראות הפעלה האלה.
- השתמש עבור סוללות נטענות אלה רק במטענים של Hilti מסדרות הדגמים המצוינות בטבלה בסוף הוראות הפעלה אלה.

3.3 התקני בטיחות

פונקציית זיהוי המסמרים אמורה למנוע בעת עבודה עם מחסנית החדרות שגויות, שעלולות לגרום נזקים למכשיר. אבטחת הלחיצה אמורה למנוע החדרת מסמרים חופשית. בעת עבודה עם מחסנית ניתן לבצע הצמדת הלחיצה והחדרה רק כאשר ישנו מסמר במחסנית.

3.4 מאפיינים טכניים

אקדח המסמרים מצויד בידית אחיזה ארגונומית, מונעת החלקה ומשככת רעידות, וזו חיבור לפיגומים ותפס חגורה וכן ברגלית תמיכה. המוצר מוגן מפני עומס יתר באמצעות הגנת עומס יתר אלקטרונית ומפני התחממות יתר באמצעות פונקציית ניטור טמפרטורה.

3.5 תצוגת מצב של אקדח המסמרים

חיוי המצב של אקדח המסמרים מציג מידע על מצבי אקדח המסמרים.

מצב	משמעות
הנורית כבויה	אקדח המסמרים כבוי
הנורית מאירה בירוק.	אקדח המסמרים דולק ומוכן להחדרה
הנורית מהבהבת בירוק.	הסוללה חמה מדי או הסוללה חלשה מדי
הנורית מהבהבת כל 3 שניות בירוק.	אקדח המסמרים נמצא במצב המתנה, לחיצת קנה המכשיר תפעיל את המכשיר
הנורית מאירה בכחול.	אקדח המסמרים מופעל, יש לטעון פס מסמרים
הנורית מהבהבת בכחול.	אקדח המסמרים מופעל, המחסנית ריקה לגמרי
הנורית מהבהבת בצהוב.	אקדח המסמרים חם מדי, ראה טבלת התקלות
הנורית מהבהבת באדום.	תקלה במכשיר, ראה טבלת התקלות
הנורית מאירה באדום.	תקלה במכשיר, ראה טבלת התקלות

3.6 תצוגות סוללת הליתיום-יון

סוללות ליתיום-יון של Hilti Nuron יכולות להציג את רמת הטעינה, הודעות שגיאה ואת מצב הסוללה.

3.6.1 תצוגות של רמת הטעינה והודעות שגיאה



סכנת פציעה עקב סוללה שנפלה!

לאחר הלחיצה על לחצן שחרור הבעילה בסוללה מחוברת, יש לוודא שהסוללה נבעלת בחזרה במקום.

כדי לראות אחת מהתצוגות האלה, לחץ קצרות על לחצן שחרור הסוללה.
רמת הטעינה כמו גם תקלות אפשריות יוצגו ברציפות כל עוד המוצר המחובר מופעל.

מצב	משמעות
ארבע (4) נוריות מאירות ברציפות בירוק	רמת טעינה: 100% עד 71%
שלוש (3) נוריות מאירות ברציפות בירוק	רמת טעינה: 70% עד 51%



מצב	משמעות
שתי (2) נוריות מאירות ברציפות בירוק	רמת טעינה: 50% עד 26%
נורית אחת (1) מאירה ברציפות בירוק	רמת טעינה: 25% עד 10%
נורית אחת (1) מהבהבת לאט בירוק	רמת טעינה: > 10%
נורית אחת (1) מהבהבת מהר בירוק	סוללת הליתיום-יון ריקה לגמרי. טען את הסוללה. אם הנורית ממשיכה להבהב גם לאחר טעינה סוללות, פנה לשירות של Hilti.
נורית אחת (1) מהבהבת מהר בצהוב	סוללת הליתיום-יון או המוצר המחובר אליה חמים מדי, קרים מדי, תחת עומס-יתר או ישנה תקלה אחרת. הבא את המוצר והסוללה לטמפרטורת העבודה המומלצת, ואל תפעיל עומס מופרד על המוצר במהלך השימוש. אם ההודעה עדיין קיימת, פנה לשירות של Hilti.
נורית אחת (1) מאירה בצהוב.	סוללת הליתיום-יון והמוצר המחובר אליה אינם תואמים. אנא פנה למעבדת שירות של Hilti.
נורית אחת (1) מהבהבת במהירות באדום	סוללת הליתיום-יון חוסמה, ואי אפשר להמשיך ולהשתמש בה. אנא פנה למעבדת שירות של Hilti.

3.6.2 תצוגות של מצב הסוללה

כדי לבדוק את מצב הסוללה, החזק את לחצן השחרור לחוץ במשך יותר משלוש שניות רצופות. המערכת אינה מזהה תקלה פוטנציאלית בתפקוד הסוללה עקב שימוש לא נכון, לדוגמה נפילה, חתכים או נדקי חום חיצוניים וכן הלאה.

מצב	משמעות
כל הנוריות מאירות כאור רך, ולאחר מכן נורית אחת (1) מאירה ברציפות בירוק.	אפשר להמשיך ולהשתמש בסוללה.
כל הנוריות מאירות כאור רך, ולאחר מכן נורית אחת (1) מהבהבת מהר בצהוב.	אי אפשר היה להשלים את בירור מצב הסוללה. חזור על התהליך או פנה לשירות של Hilti.
כל הנוריות מאירות כאור רך, ולאחר מכן נורית אחת (1) מאירה ברציפות באדום.	אם עדיין אפשר להמשיך להשתמש במוצר המחובר, קיבלת הסוללה הנתרת נמוכה מ-50%. אם אי אפשר עוד להמשיך להשתמש במוצר המחובר, אד הסוללה נמצאת בסוף חיי השירות שלה ויש להחליף אותה. אנא פנה למעבדת שירות של Hilti.

3.7 Bluetooth® (אופציונלי)

מילת המותג Bluetooth® כמו גם הסמלילים (לוגו) הם סימנים מסחריים רשומים בעלות Bluetooth SIG, Inc. כל שימוש במילת מותג/סמליל אלה על ידי Hilti Aktiengesellschaft נעשה ברישיון.

3.7.1 שימוש בהתאם לייעוד

מוצר זה מצויד ב-Bluetooth® Low Energy Module, המאפשר את בדיקת הסטטוס של כלי העבודה החשמלי כמו גם העברת הגדרות ונתונים באמצעות טכנולוגיית®, העברת נתונים אלחוטית בין שני התקנים התומכים ב-Bluetooth, ויכולים כך לתקשר ביניהם על פני מרחק קצר. מוצר זה פותח כדי לאפשר תקשורת והעברת נתונים עם טלפונים ניידים ושערים של Hilti. המוצר יכול לשלוח נתוני אפיון שונים כגון את המיקום של התקן הקצה הקולט, את משך הפעולה, מספר השימושים הכולל, מספר השימושים במשך זמן מסוים ואת חותמת הזמן של שידור הנתונים. מידע על פונקציות התקשורת המוצעות תמצא באפליקציה המתאימה של Hilti או בהוראות הפעלה של כלי העבודה החשמלי שבו אתה משתמש.

3.7.2 העברת נתונים באמצעות Bluetooth®

המרווחים בין השידורים עשויים להשתנות בהתאם למקור האנרגיה של המוצר. הטווח עשוי להשתנות מאוד בהתאם לתנאים החיצוניים ולמאפייני המכשיר הקולט. בחללים סגורים וכשישנם במקום מחסומים מתכתיים (כגון קירות, מדפים, מזוודות וכן הלאה), הטווח של ה-Bluetooth® עשוי לפחות באופן משמעותי. בהתאם לסביבה ייתכן שיידרשו מחזורי שידור רבים עד שכלי העבודה החשמלי יזוהה.

אם כלי העבודה החשמלי לא זוהה, בדוק את הנושאים הבאים:

האם המרחק להתקן הנייד גדול מדי?

← הקטן את המרחק בין התקנים ניידים לכלי העבודה החשמלי

3.7.3 התקנה והגדרה של האפליקציה

כדי שתוכל להשתמש בפונקציות התקשורת עליך להתקין ראשית את אפליקציית Hilti המתאימה.

(1.) הורד את האפליקציה מחנות האפליקציות.





- (2) כשאתה מפעיל את האפליקציה בפעם הראשונה עליך להיכנס באמצעות פרטי החשבון שלך או להירשם.
 (3) על הצג בהתקן הנייד שלך מפורטים השלבים הבאים לחיבור כלי העבודה החשמלי עם ההתקן הנייד שלך.

בצע ראשית את ערכת הלימוד של האפליקציה במלואה. כך תבין טוב יותר את תהליך החיבור ואת השימוש בפונקציות התקשורת.



Bluetooth 3.7.4

בסוף המסמך ישנם סמלי אישור ספציפיים למדינה Bluetooth.

3.8 הגנה מפני פריקה עמוקה

- המוצר כולל מצב שינה עמוקה, להגנה על סוללת הליתיום-יון מפני פריקה עמוקה. כך נמנעת פריקה עמוקה של הסוללה.
- ההגנה מפני פריקה עמוקה מופעלת לאחר 360 דקות.
 - כדי לבטל את ההגנה מפני פריקה עמוקה הסר את הסוללה ואז הכנס אותה מחדש.

3.9 מפרט אספקה

אקדח מסמרים, הוראות הפעלה. מוצרים נוספים המאושרים עבור המוצר שלך תמצא ב-Hilti Store או בכתובת: www.hilti.group

4 נתונים טכניים

BX 3-ME-22	BX 3-L-22	BX 3-22	
3.4 ק"ג	3.5 ק"ג	3.5 ק"ג	משקל לפי EPTA Procedure 01 ללא סוללה
14 מ"מ ... 24 מ"מ	14 מ"מ ... 36 מ"מ	14 מ"מ ... 30 מ"מ	אורך מסמר במחסיבת
30 מ"מ ... 36 מ"מ	*/•	*/•	אורך מסמר בהחזרה בוודת
3 מ"מ	2.75 מ"מ ... 3.0 מ"מ	3 מ"מ	קוטר מסמר
20 מסמרים	30 מסמרים	30 מסמרים	קיבולת מחסיבת
12 מ"מ	12 מ"מ	12 מ"מ	מהלך לחיצה
70 ניוטון ... 50 ניוטון	70 ניוטון ... 50 ניוטון	70 ניוטון ... 50 ניוטון	כוח לחיצה
700/שעה	700/שעה	700/שעה	תדירות החזרה רמבית מומלצת בטמפרטורת החדר
21.6 וולט	21.6 וולט	21.6 וולט	מתח נקוב
8 dBm	8 dBm	8 dBm	הספק השידור המקסימלי של Bluetooth®
2,402 מגה הרץ ... 2,480 מגה הרץ	2,402 מגה הרץ ... 2,480 מגה הרץ	2,402 מגה הרץ ... 2,480 מגה הרץ	תחום תדרים Bluetooth
70 °C ... -20 °C	70 °C ... -20 °C	70 °C ... -20 °C	טמפרטורת אחסון
60 °C ... -17 °C	60 °C ... -17 °C	60 °C ... -17 °C	טמפרטורת סביבה בעבודה

4.1 סוללה נטענת

21.6 וולט	מתח עבודה עם סוללה נטענת
ראה בסוף הוראות הפעלה האלה	משקל הסוללה
60 °C ... -17 °C	טמפרטורת סביבה בעבודה
40 °C ... -20 °C	טמפרטורת אחסון
45 °C ... -10 °C	טמפרטורת הסוללה בתחילת הטעינה



ערכי לחץ הקול והרעידות המצוינים בהוראות אלה נמדדו בהתאם לנוהל המדידה התקני, וניתן להשתמש בהם לצורך השוואה בין כלי עבודה חשמליים. הם מתאימים גם להערכה זמנית של העומסים.

הנתונים המצוינים תקפים לשימושים העיקריים בכלי העבודה החשמלי. אולם אם משתמשים בכלי העבודה החשמלי לשימושים אחרים, בשילוב אביזרים אחרים או אם המכשיר אינו עובר תחזוקה מספקת, הנתונים עשויים להשתנות. בעקבות זאת פריסת העומסים למשך זמן העבודה כולו עשויה להיות גבוהה באופן משמעותי.

לצורך הערכה מדויקת של העומסים יש לקחת בחשבון גם את הזמנים שבהם המכשיר כבוי או שבהם הוא פועל אך אינו בשימוש בפועל. בעקבות זאת פריסת העומסים למשך זמן העבודה כולו עשויה להיות נמוכה באופן משמעותי.

יש לקבוע הנחיות בטיחות נוספות להגנה על המשתמש מפני ההשפעות של קול ו/או רעידות, כגון: תחזוקה של כלי העבודה החשמלי ושל כלי העבודה המחוברים, שמירה על ידיים חמות, ארגון תהליכי העבודה.

מידע על רעשים

BX 3-ME-22	BX 3-L-22	BX 3-22		
96 dB	96 dB	96 dB	בטון	רמת הספק קול אופיינית בדירוג A (בהחדרת מסמרים) (L_{WA})
100 dB	100 dB	100 dB	פלדה	
85 dB	85 dB	85 dB	בטון	רמת לחץ קול אופיינית בדירוג A (בהחדרת מסמרים) (L_{pA})
89 dB	89 dB	89 dB	פלדה	
3 dB	3 dB	3 dB	אי-ודאות ברמת הקול המצוינות (K_{pA}, K_{WA})	

ערכי רעידות חד-ציריים מרביים (בכיוון z)

BX 3-ME-22	BX 3-L-22	BX 3-22		
2.5 מ' /שני ²	2.5 מ' /שני ²	2.5 מ' /שני ²	בטון	ערך רעידות (בהחדרת מסמרים) עם סוללת B22 55 (a, n)
3.3 מ' /שני ²	3.3 מ' /שני ²	3.3 מ' /שני ²	פלדה	
2.9 מ' /שני ²	2.9 מ' /שני ²	2.9 מ' /שני ²	בטון	ערך רעידות (בהחדרת מסמרים) עם סוללת B22 85 (a, n)
3.5 מ' /שני ²	3.5 מ' /שני ²	3.5 מ' /שני ²	פלדה	
1.5 מ' /שני ²	1.5 מ' /שני ²	1.5 מ' /שני ²	אי-ודאות (K)	

5 הכנה לעבודה
⚠ אזהרה
סכנת פציעה עקב התחלת תנועה בשוגג!

- ◀ לפני חיבור הסוללה ודא שהמוצר כבוי.
- ◀ הסר את הסוללה לפני שאתה מבצע כוונונים כלשהם במכשיר או מחליף אביזרים.

ציית להוראות הבטיחות והאזהרות שבתייעוד זה ולא להצטמצם על המוצר.

5.1 טעינת סוללה

1. קרא את הוראות ההפעלה של המטען לפני הטעינה.
2. ודא שהמגעים של הסוללה ושל המטען נקיים ויבשים.
3. טען את הסוללה במטען מאושר. 25

5.2 חיבור הסוללה
⚠ אזהרה
סכנת פציעה עקב קצר או נפילת סוללה!

- ◀ לפני חיבור הסוללה ודא שהמגעים של הסוללה ושל המוצר נקיים מגופים זרים.
- ◀ ודא תמיד שהסוללה תפוסה היטב.

1. טען את הסוללה למצב מלא לגמרי לפני השימוש הראשון.
2. דחף את הסוללה למוצר עד שאתה שומע אותה ננעלת.
3. ודא שהסוללה יושבת היטב.

5.3 הסרת הסוללה

1. לחץ על לחצן השחרור של הסוללה.
2. משוך את הסוללה החוצה מהמוצר.



5.4 הסרת מוליך המסמרים

1. משוך את דוחף המסמרים מטה עד שהוא נתפס.
2. רוקן את המחסנית. 31
3. דחף את נעילת מוליך המסמרים בכיוון החץ עד הסוף.
4. מוליך המסמרים ישתחרר.
4. הסר את מוליך המסמרים.

5.5 חיבור מוליך המסמרים

1. משוך את דוחף המסמרים מטה עד שהוא נתפס.
2. רוקן את המחסנית. 31
3. דחף את נעילת מוליך המסמרים בכיוון החץ עד הסוף, והחזק אותה במצב זה.
4. דחף את מוליך המסמרים אל הקנה עד שאתה שומע אותו נתפס.
5. שחרר את נעילת מוליך המסמרים.
6. נעילת מוליך המסמרים תקפוצ לעמדה האמצעית.
6. משוך את מוליך המסמרים לצורך בדיקה שהוא יושב יציב.

5.6 עבודה בטוחה עם תפס החגורה והווי לפיגומים 2

- ◀ ודא לפני תחילת העבודה שתפס החגורה / וו החיבור לפיגומים מעוגן למוצר בבטחה.
- ◀ השתמש בתפס החגורה / וו החיבור לפיגומים רק כל עוד הדבר נחוץ. הנח את המוצר במקום בטוח אם אינך משתמש בו זמן רב.

5.7 אבטחת נפילה 3

אזהרה

- סכנת פציעה** כשכלי העבודה ו/או האיביר נופלים!
- ◀ השתמש רק בחבל אבטחה של Hilti המומלץ עבור המוצר שלך.
 - ◀ בדוק את נקודת החיבור של חבל האבטחה של כלי העבודה לפני כל שימוש כדי לזהות נזקים.
 - ◀ אין לחבר את חבל האבטחה של כלי העבודה לוו החגורה. אין להרים את המוצר מוו החגורה.

שם לב לחוקים בנוגע לעבודה בגובה.



- כדי למנוע נפילה יש להשתמש עבור מוצר זה רק בחבל האבטחה #2261970 של Hilti.
- ◀ חבר את חבל אבטחת כלי העבודה למוצר באמצעות השאקל, כמוצג באיור. בדוק שהשאקל מחובר בצורה בטוחה.
 - ◀ חבר את השאקל השני למבנה יציב. בדוק שהשאקל מחובר בצורה בטוחה.

שים לב להוראות השימוש של חבל אבטחת כלי העבודה של Hilti.



5.8 טעינה לצורך החדרה באמצעות מחסנית 4

זהירות

- סכנת מעיכה!** החדרה המהירה של דוחף המסמרים עלולה לגרום לפציעות ולנזקים לאקדח המסמרים.
- ◀ בעת משיכה מטה של דוחף המסמרים יש לוודא כי הוא נתפס בבטחה. אין לגרום למצב שבו מוליך המסמרים חוזר אחורה במהירות.

1. משוך את דוחף המסמרים מטה עד שהוא נתפס.
2. החלק את פסי המסמרים למחסנית (עד 3 פסים של 10 מסמרים כל אחד).
3. החזק היטב את דוחף המסמרים ולחץ על משחרר דוחף המסמרים.
4. משוך אחורה את דוחף המסמרים עד שהוא נוגע במסמר.



זהירות

סכנת מעיכה! החדרה המהירה של דוחף המסמרים עלולה לגרום לפציעות ולנזקים לאקדח המסמרים.

◀ בעת משיכה מטה של דוחף המסמרים יש לוודא כי הוא נתפס בבטחה. אין לגרום למצב שבו מוליך המסמרים חוזר אחורה במהירות.

1. משוך את דוחף המסמרים מטה עד שהוא נתפס.

2. אפשר לפס המסמרים להחליק החוצה מהמחסנית, וודא שהמחסנית ריקה.

אם לא תוציא את כל המסמרים מהמחסנית לפי עבודה בהחדרות בוודות, אקדח המסמרים עלול להינזק.



3. החזק היטב את דוחף המסמרים ולחץ על משחרר דוחף המסמרים.

4. העבר לאחור את דוחף המסמרים.

5. הכנס את המסמר לשקע המיועד לכך במוליך המסמרים. לחלופין תוכל לאחר מכן גם לתקוע רכיב חיבור מאושר על מוליך המסמרים.

החדרה כאשר ישנו יותר ממסמר אחד במוליך המסמרים עלולה לגרום נזק לאקדח המסמרים. בעבודה במצב החדרות בוודות יש להכניס מסמר אחד לכל היותר למוליך המסמרים.



6. לחץ על מתג ההחדרה הבודדת.

◀ מתג ההחדרה הבודדת ייתפס בצליל נקישה.

משיכת דוחף המסמרים מטה כמה סנטימטרים תשחרר בחזרה מתג ההחדרה הבודדת.


6 פעול

ציית להוראות הבטיחות והאזהרות שבתייעוד זה ולא לה המצוינות על המוצר.

6.1 שימוש ברגלית

שימוש ברגלית על משטח ישר לצורך תמיכה מקל על כיוון זווית ישרה של אקדח המסמרים, כיוון שכאשר הרגלית מותקנת יש צורך לבודק זווית ישירה רק בצדדים. על משטח לא מאוזן צריך לעתים לקפל את הרגלית כדי ליישר את מוליך המסמרים בזווית ישרה לחומר.

6.1.1 סגירת הרגלית

1. דחף את הרגלית כדי לשחרר אותה מהנעילה.

2. הטה את הרגלית בחזרה.

6.1.2 פתיחה הרגלית
זהירות

סכנת מעיכה! בעת קיפול הרגלית קיימת סכנה שהאצבע תימחץ בין הרגלית לבין גוף המכשיר.

◀ בעת קיפול הרגלית יש לאחוז באקדח המסמרים בידי האחיזה.

1. הטה את הרגלית קדימה.

2. לחץ מלמטה על הרגלית כדי לנעול אותה במצב פתוח.

6.2 כיבוי Bluetooth (אופציונלי)

◀ לחץ את אקדח המסמרים לחומר למשך 10 שניות.

◀ לאחר 6 שניות שומעים את הקפיץ בדרך (החזק את אקדח המסמרים לחוץ לחומר במשך 4 שניות נוספות).

◀ חיזוי המצב מהבהב 3 פעמים בכחול.

◀ רעש מנוע נשמע 3 פעמים.

◀ לא תתאפשר עוד העברת נתונים.

כשאתה נמצא בסביבה רגישה (כגון בית חולים), שבה אסור להשתמש ב-Bluetooth, אפשר לבטל את ה-Bluetooth. כדי להפעיל מחדש את ה-Bluetooth, הוצא את הסוללה וחבר אותה מחדש.



6.3 הדלקה/כיבוי של אקדח המסמרים

6.3.1 הדלקת אקדח המסמרים

אזהרה

סכנת פציעה! בעקבות לחיצת אקדח המסמרים לאבר גוף עלולה להשתחרר ירייה בשוגג וכך לגרום לפציעות קשות.
לעולם אין להצמיד את אקדח המסמרים לכף היד או לאבר גוף אחר.

1. בעת עבודה עם מחסנית טען מסמרים למחסנית. 29
 2. חבר את הסוללה. 28
- ◀ חיווי המצב מהבהב לאט בירוק.

כאשר הספק הסוללה יורד מאוד יכבה אקדח המסמרים לפני שייגרם נזק לתאי הסוללה.



3. כדי להפעיל את אקדח המסמרים לחץ אותו אל חומר מתאים.
 - ◀ אקדח המסמרים יידוך.
 - ◀ חיווי המצב מאיר בירוק.

6.3.2 כיבוי אקדח המסמרים

- ◀ הסר את הסוללה. 28
- ◀ הרכיב הקפיצי משתחרר, ניתן לשמוע זאת בבירור, וחיווי המצב נכבה.

לאחר 6 דקות יוצר אקדח המסמרים רעש של מנוע, כסימון לכך שהוא מיד נכבה. לאחר סימון זה אקדח המסמרים נכבה אוטומטית.



6.4 ביצוע החדרה

אזהרה

סכנת פציעה עקב רכיבי חיבור שחודרים עד לצד השני!
 ◀ לפני ההחדרה של רכיבי חיבור יש לוודא שאיש אינו נמצא מאחורי החלק שאליו מחדירים את רכיב החיבור.

אזהרה

סכנת פציעה עקב חלקים מתעופפים! במהלך ההחדרה קיימת סכנת פציעות לגוף ובמיוחד לעיניים עקב נתיים של חומר או חלקים מפס המסמרים שבזרקים לחלל.
 ◀ **לבש תמיד ציוד מגן אישי, כפפות הגנה ומגני עיניים.** גם אנשים אחרים בקרבת מקום חייבים ללבוש משקפי מגן וקסדת מגן.

אזהרה

סכנת פציעה! בעקבות לחיצת אקדח המסמרים לאבר גוף עלולה להשתחרר ירייה בשוגג וכך לגרום לפציעות קשות.
 ◀ **לעולם אין להצמיד את אקדח המסמרים לכף היד או לאבר גוף אחר.**

1. לפני תחילת העבודה נעץ בחומר שני רכיבי חיבור לניסיון.
2. הצמד את אקדח המסמרים בדויית ישרה לחומר ולחץ את מוליך המסמרים עד למעצור.
 - ◀ אקדח המסמרים יופעל.
3. לחץ על הדק הבטיחות כדי להחזיר את רכיב החיבור.
4. הרחק את אקדח המסמרים במלואו מהחומר לאחר ההחדרה.

אם מוליך המסמרים נלחץ לחומר במשך יותר מ-6 שניות בלי שמתבצעת ירייה, אקדח המסמרים עובר אוטומטית למצב המתנה. הצמדת החוטם של אקדח המסמרים בחזרה לחומר תטען את האקדח בחזרה.



6.5 הסרת מסמרים במצב החדרה באמצעות מחסנית

1. משוך את דוחף המסמרים מטה עד שהוא נתפס.
2. דחף את המסמר למטה והחוצה מהמחסנית.
3. החזק היטב את דוחף המסמרים ולחץ על משחרר דוחף המסמרים.
4. העבר את דוחף המסמרים לאחור למצב המוצא.



אזהרה

סכנת פציעה ונדק לאקדח המסמרים. שימוש בחפצים לא מתאימים במקום האיבזרים המקוריים המומלצים של Hilti עלול להוביל לפציעות ולבזקים לאקדח המסמרים.
 לצורך שחרור מסמרים תקועים יש להשתמש אך ורק בערכת המקב המומלצת.

אזהרה

סכנת פציעה עקב חלקים מתעופפים! ההחזרה יכולה לגרום לפציעה עקב חלקים מתעופפים כאשר ישנם גופים זרים באזור מוליך המסמרים או כאשר רכיב החיבור נתקע במוליך המסמרים.
 לעולם אל תנסה לתקן תקלה באקדח המסמרים באמצעות ירייה נוספת!



מסמרים בודדים עשויים להיתקע במוליך המסמרים. בעזרת ערכת המקב X-NP ניתן להוציא את המסמר התקוע ממוליך המסמרים. אביזרים תמצא ב-Hilti Store או באינטרנט בכתובת www.hilti.group.

1. הוצא את מוליך המסמרים (ראה 29).
2. הכנס את מוליך המסמרים אל השרול של ערכת המקב.
3. דחף את המסמר התקוע החוצה בעזרת המקב ופטיש.
4. חבר את מוליך המסמרים (ראה 29).

7 טיפול ותחזוקה
אזהרה

סכנת פציעה כאשר הסוללה מחוברת!

לפני ביצוע עבודות טיפול ותחזוקה כלשהן יש להקפיד להסיר את הסוללה!

טיפול במוצר

- הסר בזהירות לכולך דבוק.
- אם ישנם, נקה את חריצי האוורור בזהירות בעזרת מברשת רכה ויבשה.
- נקה את גוף המכשיר רק באמצעות מטלית לחה מעט. אל תשתמש בחומרי טיפול המכילים סיליקון, מאחר שהם עלולים לפגוע בחלקי הפלסטיק.
- נקה את המגעים באמצעות מטלית נקייה ויבשה.

טיפול בסוללות ליתיום-יון

- לעולם אין להשתמש בסוללה שחריצה האוורור שלה סתומים. נקה את חריצי האוורור בזהירות בעזרת מברשת רכה ויבשה.
- מנע חשיפת הסוללה לאבק ולכלוך שלא לצורך. בשום אופן אין לחשוף את הסוללה ללחות גבוהה (לדוגמה להטביל אותה במים או להניח אותה בגשם).
- אם הסוללה נרטבה מאוד, יש להתייחס אליה כאל סוללה פגומה. בודד אותה במיכל לא דליק ופנה לשירות של Hilti.
- שמור על הסוללה נקייה משמן וגרזי לא שייכים. אל תאפשר הצטברות מיותרת של לכלוך ואבק על הסוללה. נקה את הסוללה במטלית יבשה ורכה או במטלית נקייה ויבשה. אל תשתמש בחומרי טיפול המכילים סיליקון, מאחר שהם עלולים לפגוע בחלקי הפלסטיק.
- אל תיגע במגעים של הסוללה ואל תסיר מהמגעים גריד שהושם במפעל.
- נקה את גוף המכשיר רק באמצעות מטלית לחה מעט. אל תשתמש בחומרי טיפול המכילים סיליקון, מאחר שהם עלולים לפגוע בחלקי הפלסטיק.

תחזוקה

- בדוק באופן סדיר את כל החלקים הגלויים כדי לאתר נדקים ולוודא שכל הרכיבים פועלים באופן תקין.
- אל תפעיל את המוצר אם ישנם נדקים /או תקלות. פנה מיד לשירות של Hilti כדי לתקן את המוצר.
- לאחר עבודות טיפול ותחזוקה יש להתקין בחזרה את כל ציוד ההגנה ולבדוק שהוא פועל בצורה תקינה.



לצורך הפעלה בטוחה של המכשיר יש להשתמש רק בחלקי חילוף וחומרים מתכלים מקוריים. את חלקי החילוף, החומרים המתכלים והאביזרים שאושרו על-ידי Hilti עבור המוצר שלך תמצא ב-Hilti Store שלך או בכתובת: www.hilti.group

7.1 ניקוי הצד הפנימי של קנה המכשיר

1. הסר את מוליך המסמרים. 29
2. נקה את הצד הפנימי של קנה המכשיר.
3. חבר את מוליך המסמרים. 29



הובלה
⚠️ זהירות
התחלת פעולה בשוגג במהלך הובלה!

יש להוביל את המכשיר כשהסוללה מנותקת ממנו!

- ◀ הוצא את הסוללות.
- ◀ יש להוביל או לאחסן את המכשיר תמיד במזוודה מאובטחת.
- ◀ בשום אופן אין להוביל סוללות כשהן נמצאות בין עצמים לא ארוזים. בזמן ההובלה הסוללות צריכות להיות מוגנות מפני חבטות ורעידות רבות וכן מבודדות מפני חומרים מוליכים כלשהם או סוללות אחרות, כדי שלא ייווצר מגע בינן לבין מגעים של סוללות אחרות ועקב כך קצר. **שים לב לכללי ההובלה במדינתך בנוגע לסוללות.**
- ◀ אסור לשלוח סוללות בדואר. אם אתה רוצה לשלוח סוללות לא פגומות, פנה לשם כך לחברת משלוחים והובלות.
- ◀ בדוק אם ישנם נדקים במוצר ובסוללות לפני כל שימוש וכן לפני הובלה ארוכה.

אחסון
⚠️ אזהרה
נזק לא מכון כשהסוללות פגומות או דולפות!

יש לאחסן את המכשיר כשהסוללה מנותקת ממנו!

- ◀ אחסן את המוצר והסוללות במקום קריר ויבש. שים לב לערכי הגבול של הטמפרטורה, כמצוין בנתונים הטכניים.
- ◀ אין לאחסן את הסוללות במטען. הקפד להוציא את הסוללה מהמטען בסיום תהליך הטעינה.
- ◀ לעולם אין לאחסן סוללות בשמש, על מקורות חום או מאחורי זכוכית.
- ◀ אחסן את המוצר והסוללה הרחק מהישג ידם של ילדים או אנשים לא מורשים.
- ◀ בדוק אם ישנם נדקים במוצר ובסוללות לפני כל שימוש וכן לפני אחסון ממושך.

9 תיקון תקלות

אם לא צוין אחרת כל אותות האור המתוארים כאן מתייחסים לתצוגת המצב של הקודח המסמרים. בכל תקלה שים לב לתצוגות של רמת הטענה ושל התקלות בסוללה. ראה הפרק **תצוגות של סוללת הליתיום-יון**.
אם מתרחשת תקלה שאינה מוסברת בטבלה זה או שאינך יכול לתקן בעצמך, פנה לשירות של Hilti.

תקלה	סיבה אפשרית	פתרון
חיווי המצב מהבהב בירוק.	סוללה ריקה.	◀ החלף את הסוללה.
הקפיץ לא נדרך, תצוגת המצב מהבהבת בירוק.	סוללה ריקה.	◀ החלף את הסוללה.
אי אפשר ללחוץ את מוליך המסמרים, ותצוגת המצב מאירה בכחול.	מחסנית ריקה.	◀ בעת עבודה עם מחסנית טען מסמרים למחסנית. 29
אי אפשר ללחוץ את מוליך המסמרים, ותצוגת המצב מאירה בירוק.	דוחף המסמרים תקוע.	◀ הוצא את פס המסמרים מהמחסנית ונקה את המחסנית.
	מסמר תקוע במוליך המסמרים.	◀ שחרר את המסמר התקוע. 32
הקפיץ נמתח באחור, חיווי הסטטוס מהבהב בכחול, בא בעת נשמע אות צלילי; אד חיווי הסטטוס מאיר במשך 6 דקות בכחול.	מחסנית ריקה.	◀ בעת עבודה עם מחסנית טען מסמרים למחסנית. 29
הרכיב הקפיצי אינו נמתח שוב וחיווי המצב מהבהב באדום.	טמפרטורה גבוהה מדי באקדח המסמרים.	◀ אפשר לאקדח המסמרים להתקרר.
	טמפרטורת הסוללה גבוהה מדי.	◀ אפשר לסוללה להתקרר.
	טמפרטורת הסוללה נמוכה מדי.	◀ אפשר לסוללה להתחמם בהדרגה לטמפרטורת החדר.
הרכיב הקפיצי אינו נמתח וחיווי המצב מהבהב באדום.	מוליך המסמרים אינו מחובר נכון.	◀ חבר את מוליך המסמרים. 29
הרכיב הקפיצי אינו נמתח וחיווי המצב מאיר באדום.	תקלה במכשיר.	◀ פנה למעבדת שירות של Hilti.
הרכיב הקפיצי אינו נמתח; אין חיווי מצב.	סוללה ריקה.	◀ החלף את הסוללה.
	הסוללה אינה מחוברת נכון.	◀ הוצא את הסוללה וחבר אותה בצורה נכונה. 28
	ההגנה מפני פריקה עמוקה פעילה.	◀ הוצא את הסוללה וחבר אותה מחדש.



תקלה	סיבה אפשרית	פתרון
מוליך המסמרים תקוע במצב לחוץ.	לכלוך בין מוליך המסמרים לקנה המכשיר.	נקה את הצד הפנימי של קנה המכשיר. 32

10 סילוק

⚠ אזהרה

סכנת פציעה בעקבות סילוק לא תקין! סכנה בריאותית מהשתחררות גדים ונחלים.

- ◀ אין לשלוח סוללות פגומות!
- ◀ כסה את החיבורים באמצעות חומר לא מוליך, כדי למנוע קצר.
- ◀ סלק סוללות כך שהן לא יוכלו להגיע לידיהם של ילדים.
- ◀ סלק את הסוללה ב-Hilti Store או פנה לחברת המיחזור האחראית.

המוצרים של Hilti מיוצרים בחלקם מגדול מחומרים ניתנים למיחזור. כדי שניתן יהיה למחזרם דרושה הפרדת חומרים מקצועית. במדינות רבות Hilti תקבל את המכשיר הישן שלך בחזרה לצורך מיחזור. פנה לשירות של Hilti או למשווק.

◀ אין להשליך כלי עבודה חשמליים, כלים אלקטרוניים וסוללות לפסולת הביתית!

11 אחריות יצרן

◀ אם יש לך שאלות בנושא תנאי האחריות, אנא פנה למשווק Hilti הקרוב אליך.

12 מידע נוסף

מידע נוסף על ההפעלה, הטכנולוגיה, הגנת הסביבה ומיחזור תמצא בקישור הבא:
qr.hilti.com/manual?id=2268212&id=2268213
 את הקישור הזה תמצא גם בסוף תיעוד זה בצורת קוד QR.



EC Declaration of Conformity | UK Declaration of Conformity



Manufacturer:
Hilti Corporation
Feldkircherstraße 100
9494 Schaan | Liechtenstein

UK Importer:
Hilti (Gt. Britain) Limited
No. 1 Circle Square, 3 Symphony Park
Manchester, England, M1 7FS

BX 3-22 (03), BX 3-L-22 (03), BX 3-ME-22 (03)

Serial Numbers: 1-9999999999

2006/42/EC | Supply of Machinery (Safety) Regulations 2008

EN 60745-1:2009/
A11:2010

EN 60745-2-16:2010

2014/35/EU | Electrical Equipment (Safety) Regulations 2016

EN 300 328 V2.2.2

EN 301 489-1 V2.2.3

2011/65/EU | The Restriction of the Use of Certain Hazardous Substances in Electrical and Electronic Equipment Regulations 2012

EN 301 489-17 V3.2.2

Klaus Bertsch
Head of Quality and Process Management
Business Area Direct Fastening

Schaan, 22.02.2024

Rafael Garcia
Head of BU Direct Fastening
Business Unit Direct Fastening









B 22-55 (01)	0,56 kg	1.23 lb
B 22-85 (01)	0,77 kg	1.70 lb

C 4-22
C 6-22
C 8-22

BX 3-22 (03)|BX 3-ME-22 (03)|BX 3-L-22 (03)

Country Regulatory Information

BRA	 <p>04227-23-03265</p> <p>Este equipamento não tem direito à proteção contra interferência prejudicial e não pode causar interferência em sistemas devidamente autorizados. Para maiores informações, consulte o site da ANATEL – www.anatel.gov.br</p>
CAN	<p>Product Name: PAN1781 Contains IC: 216Q-1781</p> <p>This device contains license-exempt transmitter(s)/receiver(s) that comply with Innovation, Science and Economic Development Canada's license-exempt RSS(s). Operation is subject to the following two conditions: (1) this device may not cause interference, and (2) this device must accept any interference received, including interference that may cause undesired operation.</p> <p>L'émetteur/récepteur exempt de licence contenu dans le présent appareil est conforme aux CNR d'Innovation, Sciences et Développement économique Canada applicables aux appareils radio exempts de licence. L'exploitation est autorisée aux deux conditions suivantes : (1) l'appareil ne doit pas produire de brouillage, et (2) l'utilisateur de l'appareil doit accepter tout brouillage radioélectrique subi, même si le brouillage est susceptible d'en compromettre le fonctionnement.</p>
JPN	 <p>MIC ID: R 202-SMH031</p>  <p>MIC ID: R 202-DGJ063</p>
KOR	 <p>Company Name: Hilti Corporation Equipment Name: Direct-Fastening Tool Model Name: BX 3-22 Manufacturer: Hilti Corporation Date of registration: 2023 Registration No. R-R-HKT-BX3ME22</p>

PHL	 <p>NTC - Type Approved</p> <p>BX 3-ME-22 (03): No. ESD – RCE - 2332232 BX 3-22 (03): No. ESD – RCE - 2332233</p>
QAT	<p>QATAR Type Approval reg. No.:</p> <p>BX 3-22 (03): CRA/SM/2023/S-0012610 BX 3-ME-22 (03): CRA/SM/2023/S-0012611</p>
SGP	<p>Complies with IMDA Standards</p> <p>BX 3-22 (03): N0274-23 BX 3-ME-22 (03): N0275-23</p>
TWN	<p>台灣市場銷售的電動擊釘槍型號如下</p> <p>BX 3-22 (03):  CCAH23LP1711T4</p> <p>BX 3-ME-22 (03):  CCAH23LP1710T2</p> <p>警語 取得審驗證明之低功率射頻器材，非經核准，公司、商號或使用者均不得擅自變更頻率、加大功率或變更原設計之特性及功能。低功率射頻器材之使用不得影響飛航安全及干擾合法通信；經發現有干擾現象時，應立即停用，並改善至無干擾時方得繼續使用。前述合法通信，指依電信管理法規定作業之無線電通信。低功率射頻器材須忍受合法通信或工業、科學及醫療用電波輻射性電機設備之干擾。</p>
ZAF	 <p>TA-2023-0137 APPROVED</p>

USA	<p>Product name: PAN1781 Contains FCC ID: T7V1781</p> <p>FCC Warnings</p> <p>This device contains license-exempt transmitter(s)/receiver(s) that comply with Innovation, Science and Economic Development Canada's license-exempt RSS(s). Operation is subject to the following two conditions: (1) this device may not cause interference, and (2) this device must accept any interference received, including interference that may cause undesired operation.</p>
UAE	<p>TDRA BX 3-ME-22 (03): Authorization Number: ER17100/ 23</p> <p>BX 3-22 (03) Authorization Number: ER17099/ 23</p>



Hilti Corporation
LI-9494 Schaan
Tel.:+423 234 21 11
Fax:+423 234 29 65
www.hilti.group



2268212